

# AP-EIP60

## Emergency Call IP Phone

High Performance Emergency Call IP Phone Solution



Multi-Terminal Ringing Service  
using ACS(Access Control  
Server) for Large-Scale  
Deployment

# **AddPac**

**AddPac Technology**

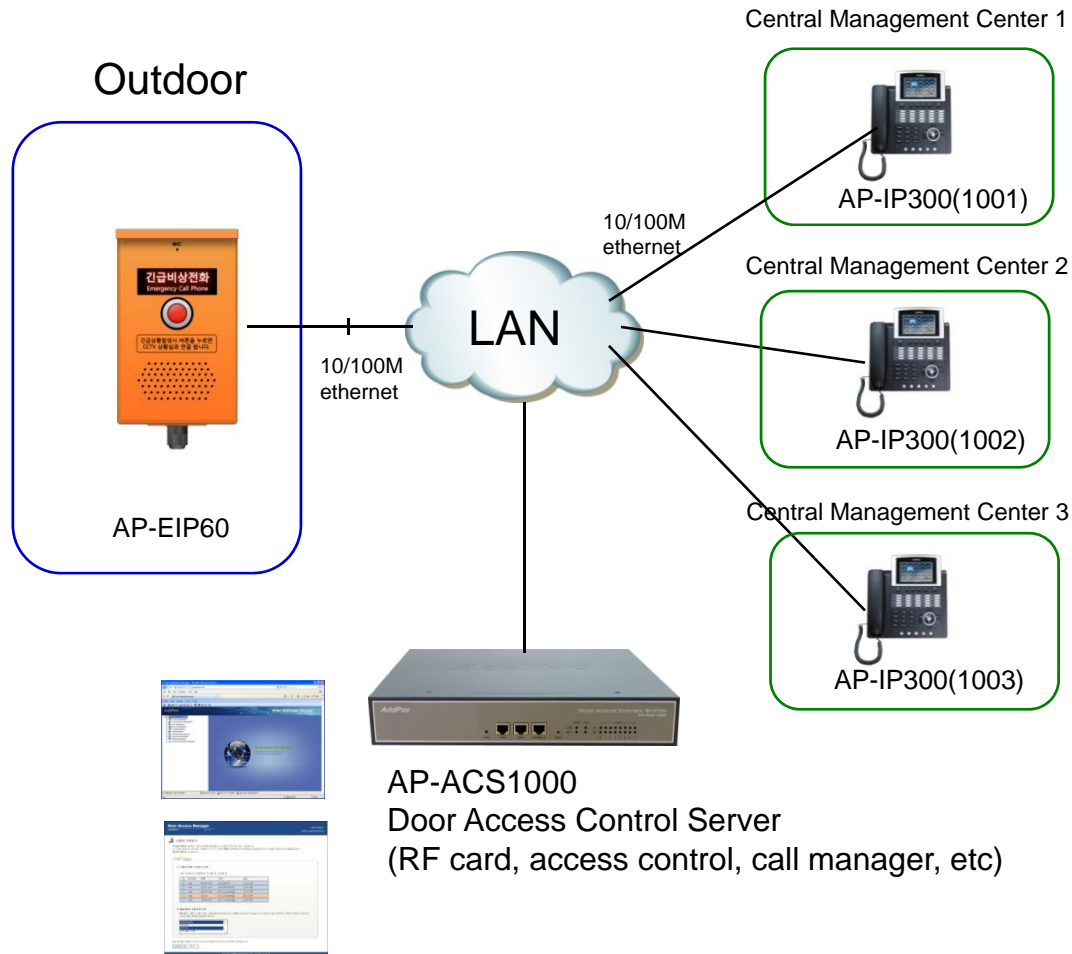
Sales and Marketing

# Contents

- Multi-Terminal Ringing Service Network Diagram
- Signaling Call Flow
- Large-Scale Multi-Terminal Ringing Service Network Diagram



# Multi-Terminal Ringing Network Service Diagram (single ACS)

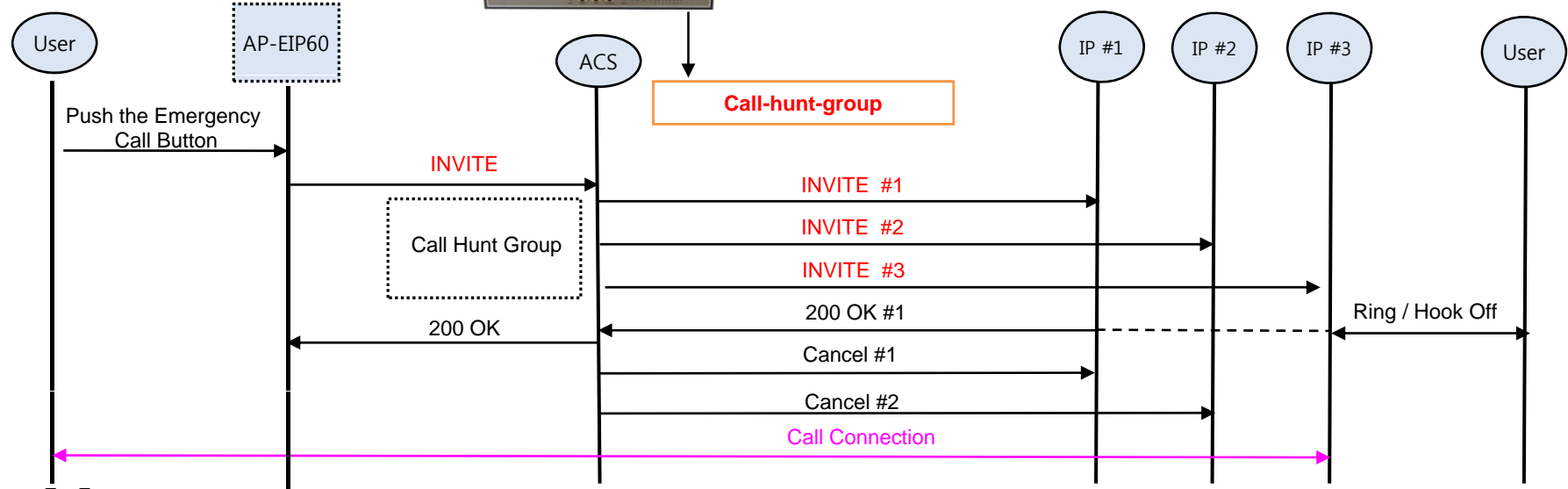
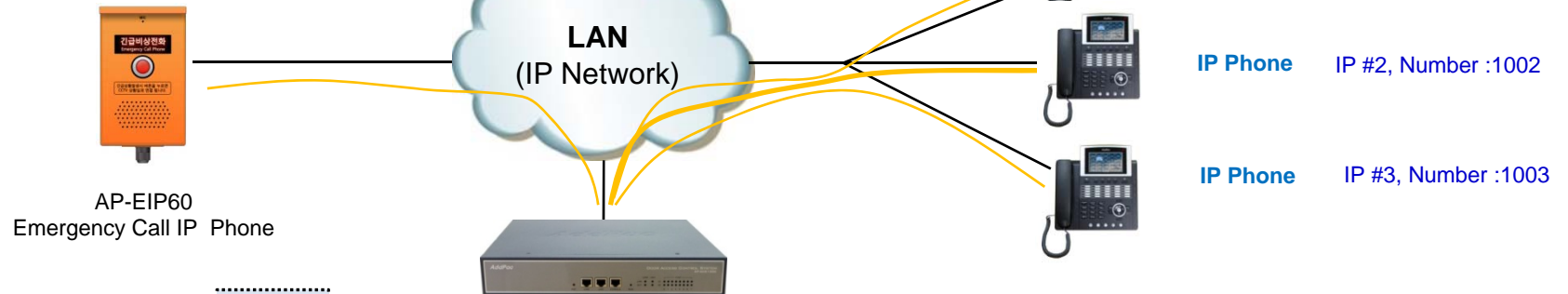


## Benefits are

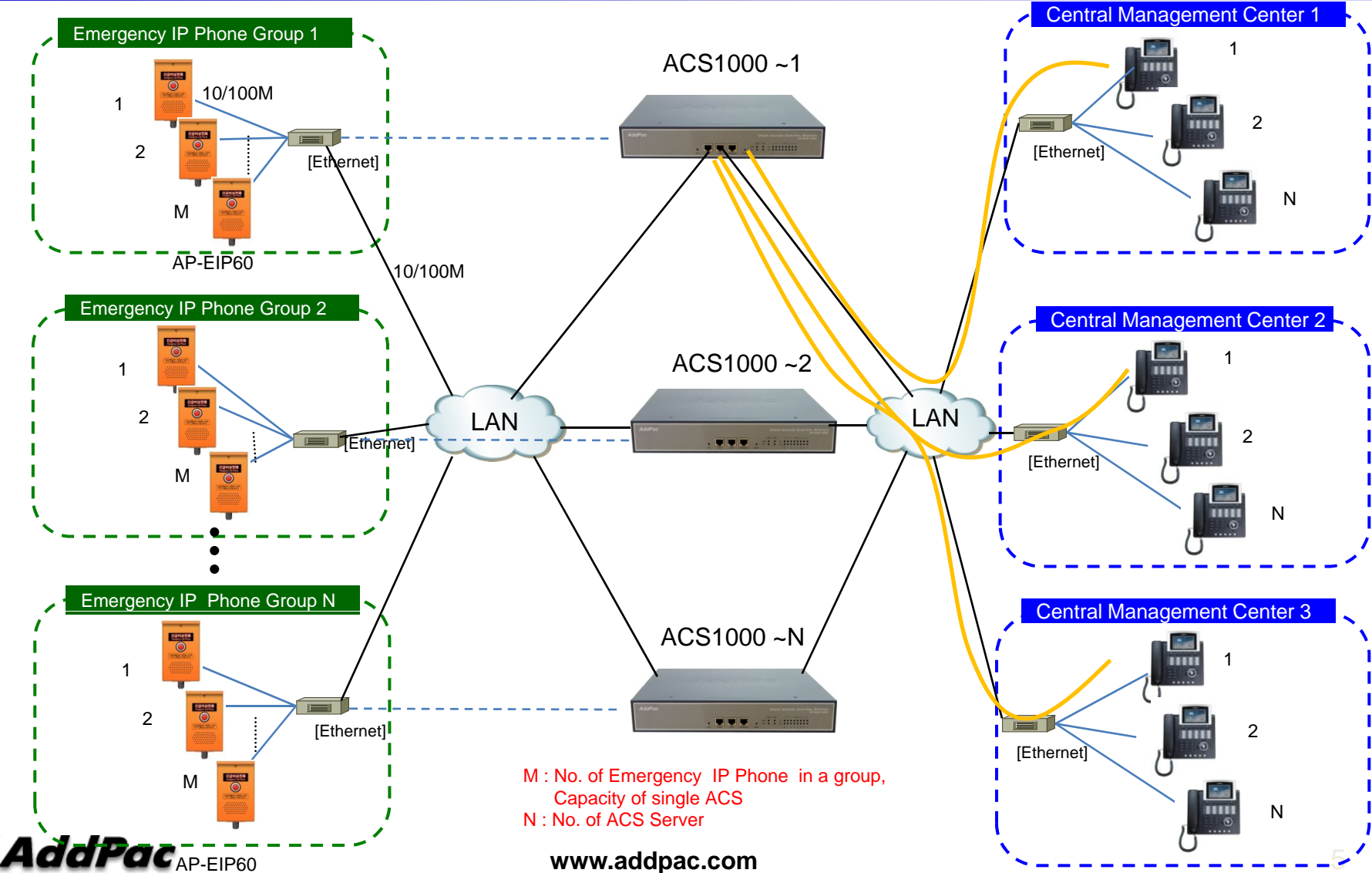
- When main attendant is busy or in absence, the others can response to the visitor's call.
- This service extends to WAN, Mobile or PSTN via VoIP Service Provider.

# Signaling Flow (Emergency Call IP Phone to ACS to IP Phones)

- Simultaneous Ring Scenario Example**
1. A Visitor push the emergency call button
  2. ACS call to 1001, 1002 and 1003 by translation rule and simultaneous ring group.
  3. Answered by 1003.
  4. AP-EIP60 connects to 1003 and disconnects all other calls.



# Large Scale Network Diagram (Multiple ACS Environment)





# Thank you!

**AddPac Technology Co., Ltd.**  
Sales and Marketing

Phone +82.2.568.3848 (KOREA)

FAX +82.2.568.3847 (KOREA)

E-mail [sales@addpac.com](mailto:sales@addpac.com)