

AP-HDI4N1

4 CH Full HD IP Video Splitter

High-performance Network DVR Solution



IP Video Splitter vs HD-SDI Video Splitter

AddPac

AddPac Technology

Sales and Marketing

Contents

- Legacy HD-SDI 4ch Video Splitter
 - CCTV Network Application Diagram
 - Internal Functional Block Diagram
- New Advanced 4ch IP video Splitter AP-HDI4N1
 - CCTV Network Application Diagram
 - Internal Functional Block Diagram
- Legacy HD-SDI Video Splitter Migration to New AP-HDI4N1
 - Legacy CCTV Management Server
 - AddPac Smart Web Manager
- AP-HD14N1 Hardware Specification



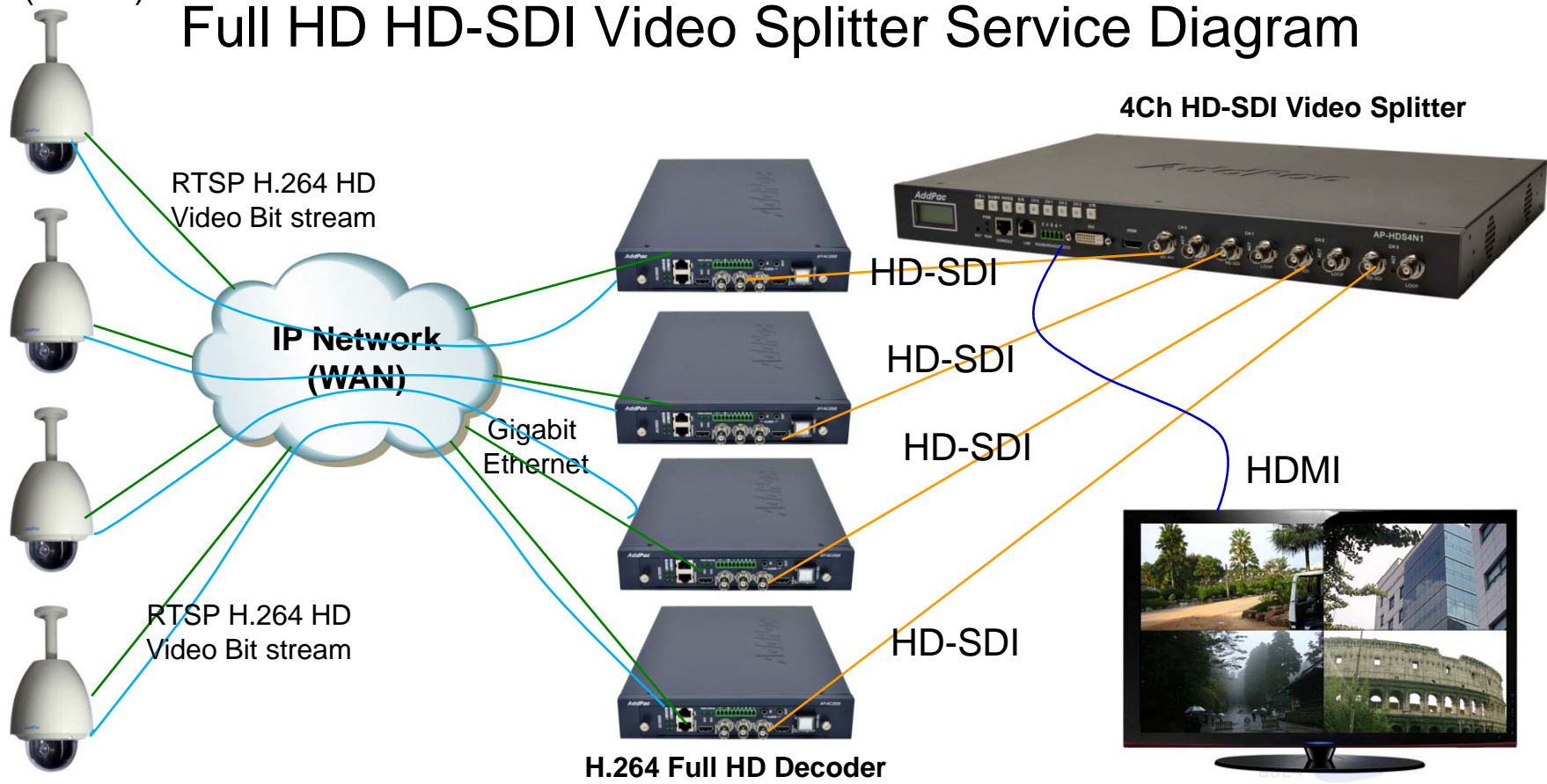


Legacy HD-SDI 4ch Video Splitter

CCTV Network Application Diagram

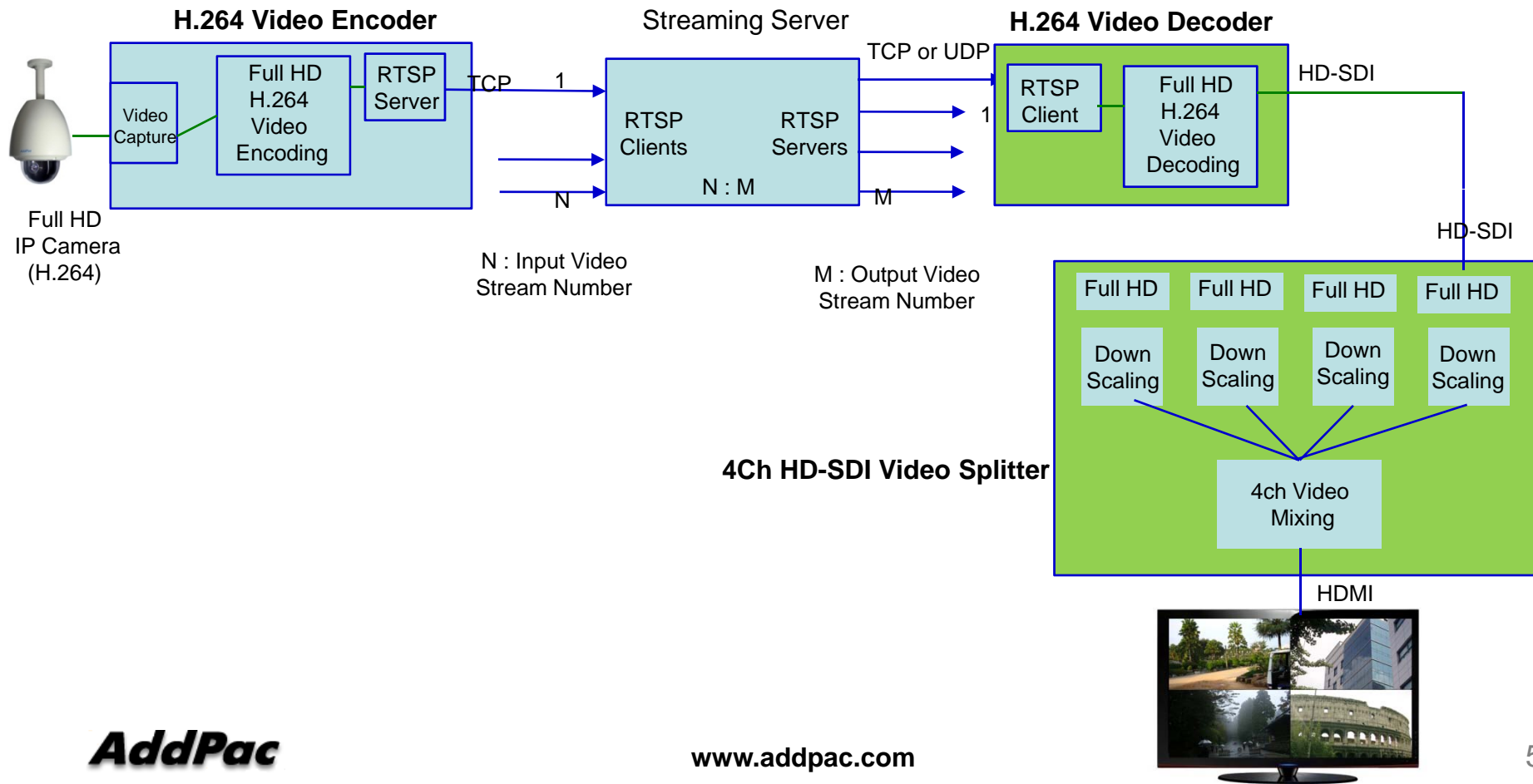
Full HD IP Camera
(H.264)


Full HD HD-SDI Video Splitter Service Diagram



Functional Block Diagram

Example (N : M = 64 : 128)



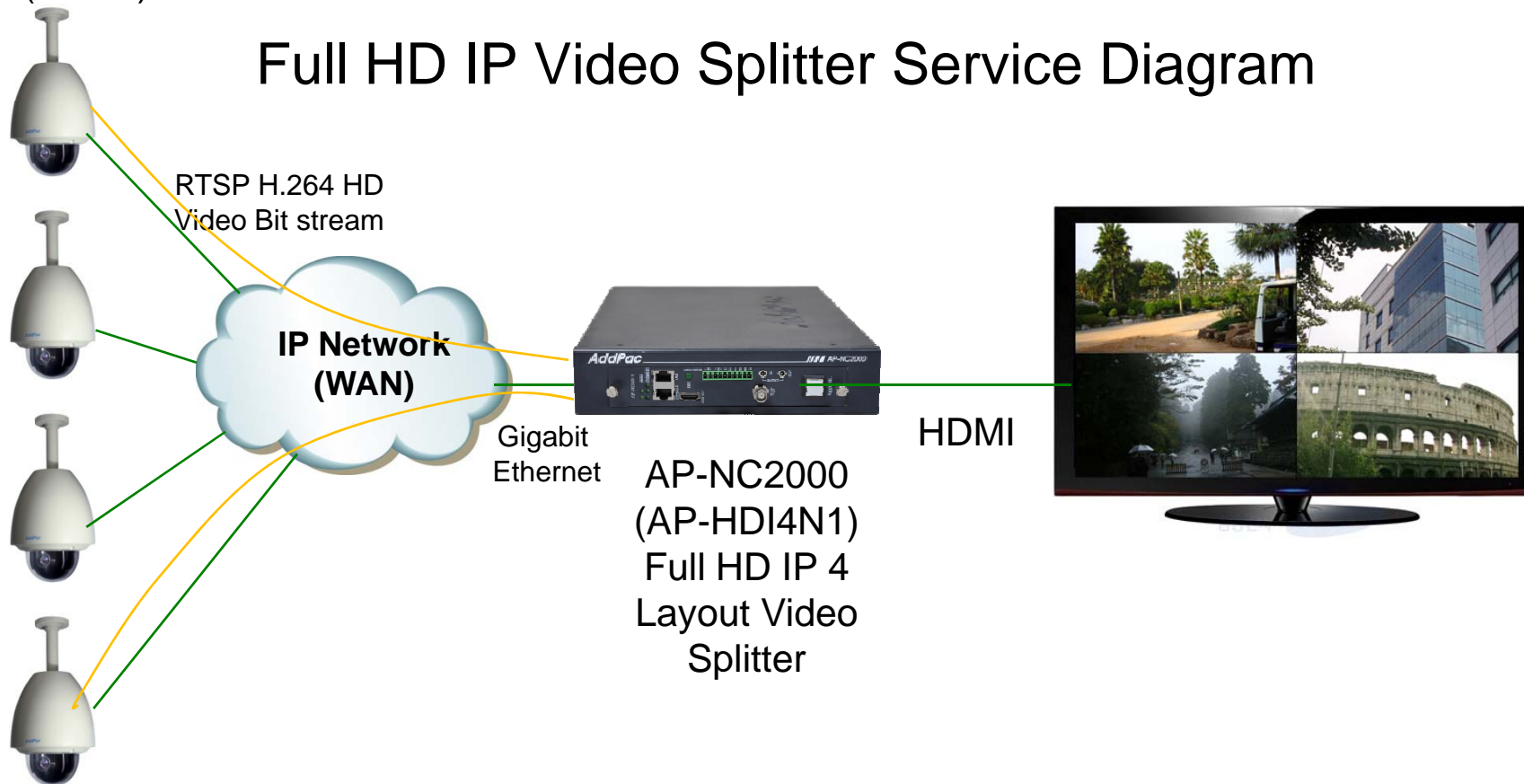


New IP based 4ch Video Splitter

Network Application Diagram

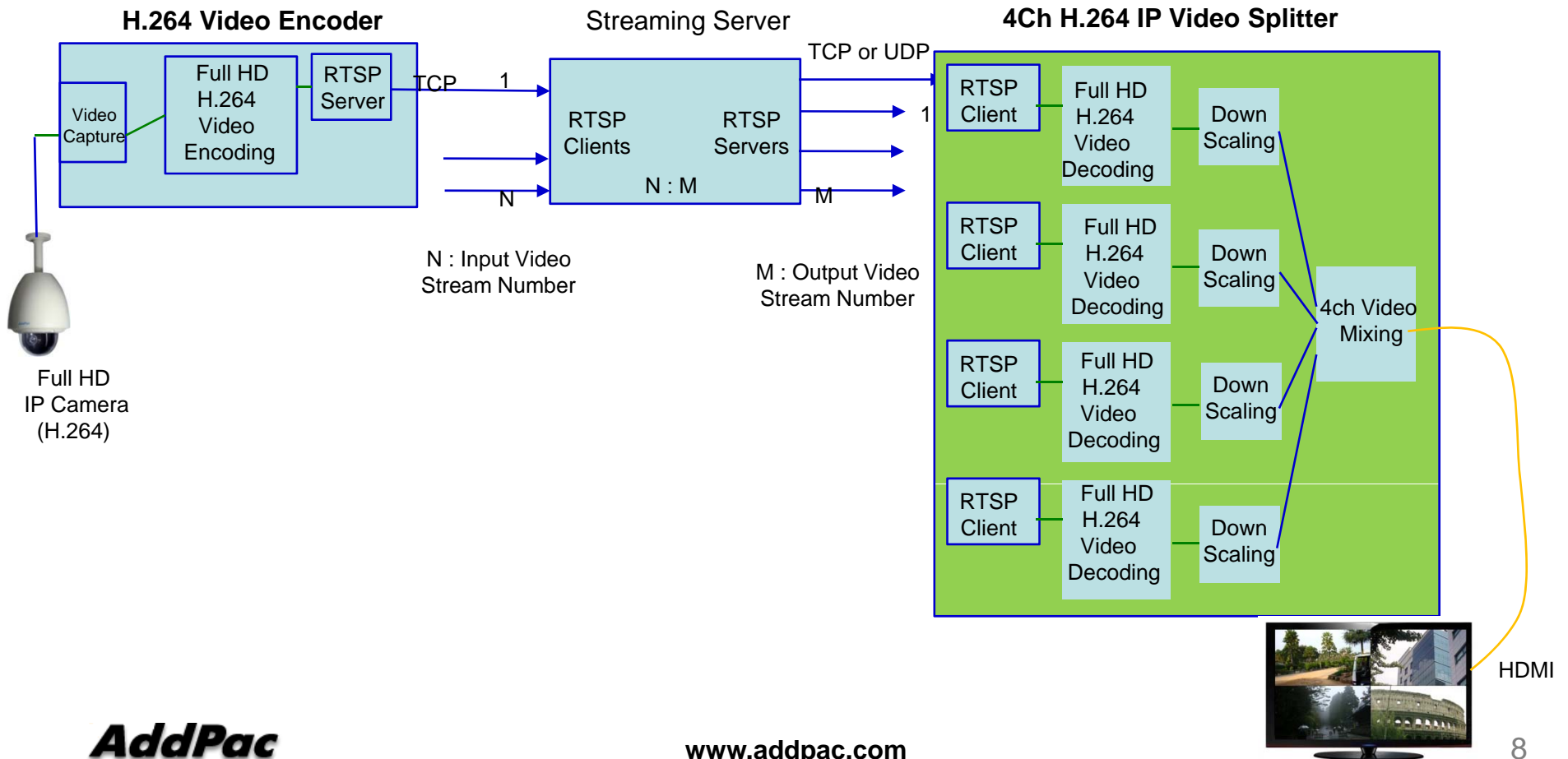
Full HD IP Camera
(H.264)


Full HD IP Video Splitter Service Diagram



Functional Block Diagram

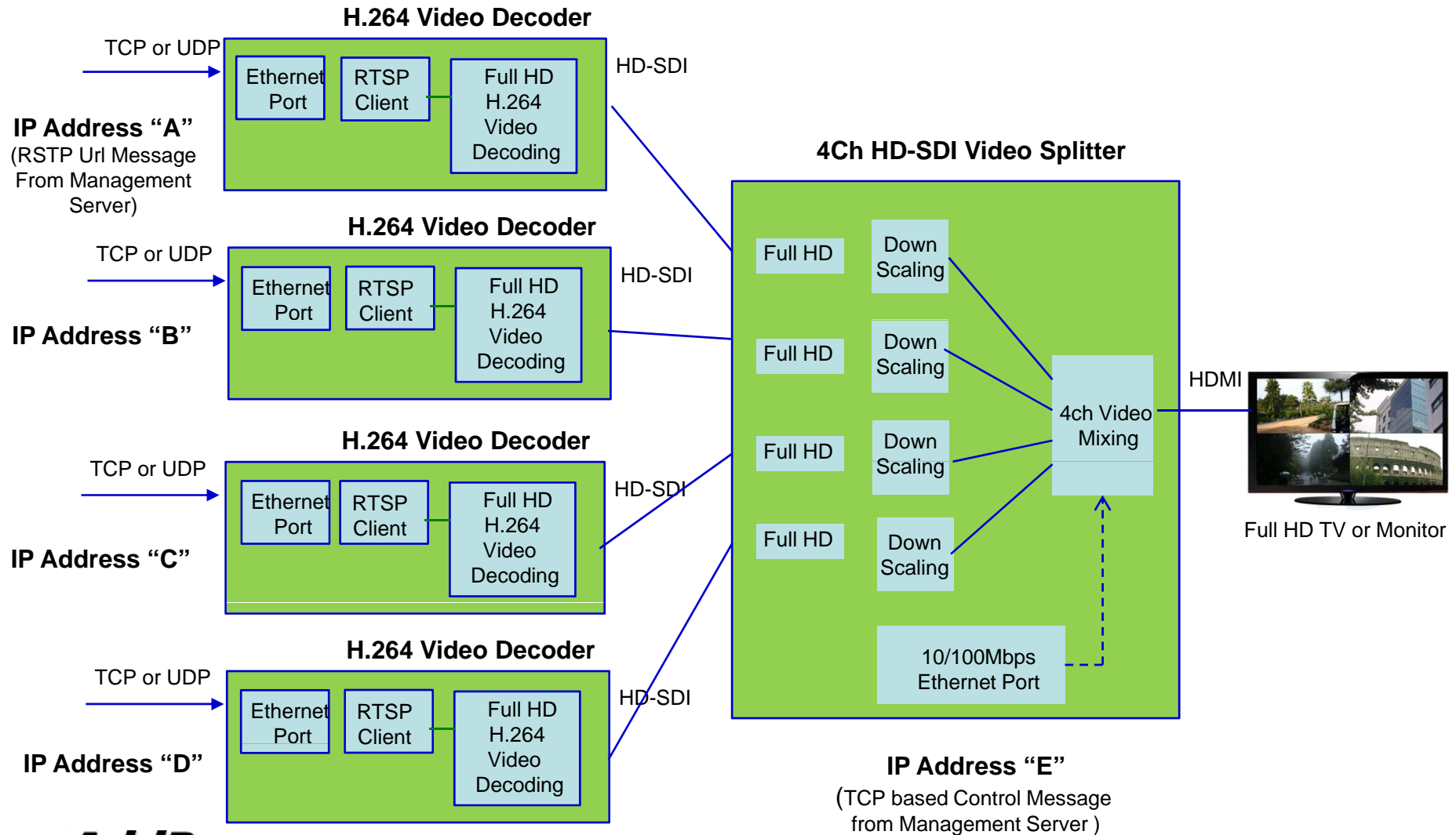
Example (N : M = 64 : 128)





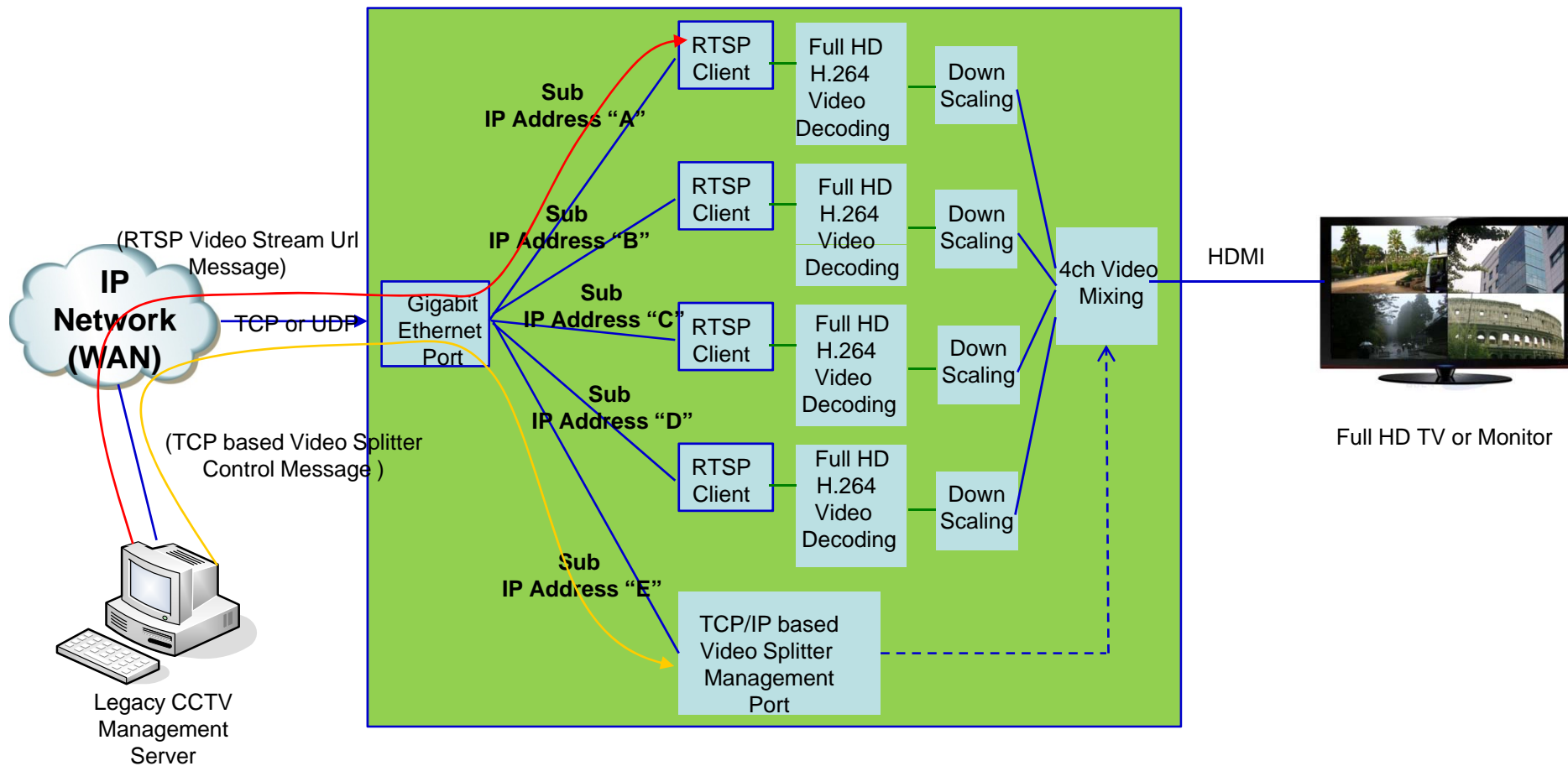
Legacy HD-SDI
Video Splitter **Easy**
Migration to New IP
based Video Splitter
AP-HDI4N1

Legacy 4ch HD-SDI Video Splitter Control Scheme



New IP based 4ch Video Splitter Control Scheme

4Ch H.264 IP Video Splitter





AP-HD14N1 Hardware Specification

Product Overview

AP-HDI4N1 Full HD IP 4 Layout Video Splitter

- IP based 4 Layout Full HD Video Splitter Service Features
- Four(4) Channel H.264 Video Decoding (720P, 1080i)
- Four(4) H.264 Full HD Video Decoding, Downscaling, Video Mixing and Full HD Display
- RTSP/RTP Video Streaming Protocol Support
- 4ch Layout , 1ch Layout Display (Round Robin Display)
- One(1) Channel HDMI, HD-SDI Video Output for HDTV Display
 - 1080i(1920x1080), 720P(1280x720)
- High Performance Video DSP based Module for Stability
- AP-NC2000(1slot), AP-NC3000(2slot), AP-NC5000(10slots) Platform
- IP based Network Surveillance Solution
- High-performance Video, Audio, and Voice Service
- Firmware Upgradeable Architecture
- Smart Web Manager for Device Control

Hardware Specification

AP-HDI4N1 Full HD IP 4 Layout Video Splitter

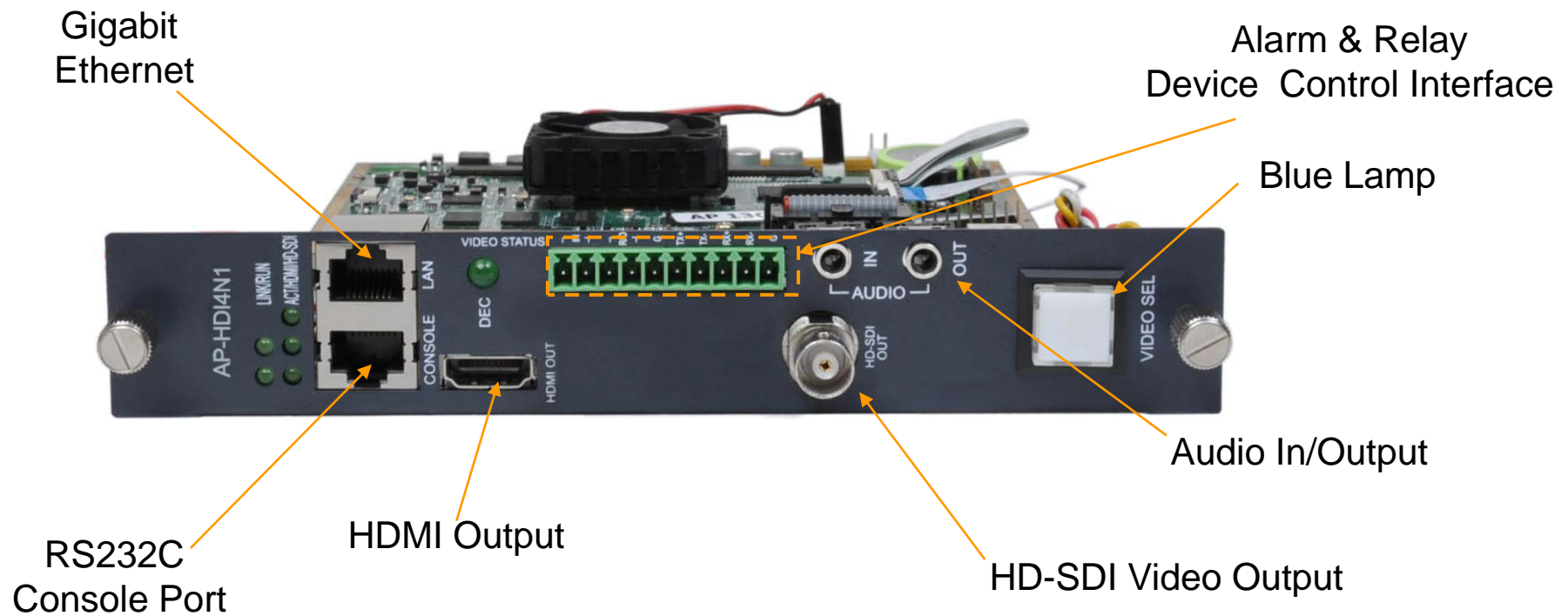


- **RISC + Video Processor Computing Power**
- **Main Chassis**
 - **Network Interface**
 - One(1) 10/100/1000Mbps Gigabit Ethernet
 - **Video Interface**
 - One(1) Channel HD-SDI Output
 - One(1) Channel HDMI Output
 - **One(1) RS-232 Console Interface (RJ45)**
 - **Control Interface**
 - One(1) RS-232C, RS422, RS485 Interface for External Device Control
 - **I/O Interface**
 - Two(2) Alarm Input /One(1) Relay Out

Hardware Specification

AP-HDI4N1 Full HD IP 4 Layout Video Splitter






AP-HDI4N1 IP Video Splitter Module



Hardware Specification

AP-HDI4N1 Full HD IP 4 Layout Video Splitter

AddPac Video Module Platform Comparison Table

	AP-NC2000D	AP-NC2000	AP-NC3000	AP-NC3500	AP-NC5000
Model					
Module Slot	1 Module Slot	1 Module Slot	2 Module Slots	4 Module Slots	10 Module Slots
Power Supply	External Power Supply(DC)	Internal Power Module (AC)	Internal Power Module (AC)	Internal Power Module (AC)	Internal Power Module (AC)
Power Type	Power Adaptor	Built-In	Built-In	Built-In	Module Type

Ordering Information

- **AP-HDI4N1 4 Ch Full HD IP Video Splitter Hardware**
 - AP-HDI4N1 Main Body
 - Including Network Cable Set, etc.
- **Built-in APOS Internetworking Software for AP-HDI4N1**
- **Including 1 Year Hardware Warranty**
- **Product Documents**
 - Install and Operation Guide (PDF)
- **Pricing**
 - AddPac Technology Regional Sales Manager
 - Authorized Sales and Marketing Representatives
 - Please Contact www.addpac.com



Thank you!

AddPac Technology Co., Ltd.
Sales and Marketing

Phone +82.2.568.3848 (KOREA)

FAX +82.2.568.3847 (KOREA)

E-mail sales@addpac.com