

AV6000NS

Full HD Video Codec Module
High-performance Network HD DVR Solution

Full HD Subtitle Generator +
H.264 Full HD Video Encoder



AddPac

AddPac Technology

Sales and Marketing

www.addpac.com

Contents

- Product Overview
- Hardware Specification
- Software Service
- Concurrent Triple Bit-Stream Matrix
- RTSP Service Network Diagram
- RTSP Service Features
- Video Codec Service Features
- Subtitle Generator Service
- Subtitle Generator Manager Feature
- Network Service and Features
- Ordering Information

Product Overview

AV6000NS Full HD Video Codec Module

- Full HD (1080i) Video Encoding/Decoding Service Features
- Video Codec : H.264 HP/MP/BP AVC Video Codec
- Video Input Interface : HDMI, HD-SDI, Analog (NTSC, PAL)
- Video Output Interface : HDMI, HD-SDI, Analog (NTSC, PAL)
- Dual Bit Streaming Support
- Full HD Subtitle Generator Service Support
- RTSP/RTP, TCP/UDP Protocol Support
- IP based Network Surveillance Solution
- High-performance Video, Audio, and Voice Service
- Firmware Upgradeable Architecture
- Video Solution with Outstanding Network Service Capability
- Web based Management Service
- AP-NC2000D, AP-NC2000, AP-NC3000, AP-NC5000 Platform Available

Hardware Specification

AV6000NS Full HD Video Codec Module

RISC
CPU

High-End
VP

- **RISC + Video Processor Computing Power**
- **AV6000NS Video Module**
 - **Network Interface**
 - One(1) 10/100/1000Mbps Gigabit Ethernet
 - **Video Interface**
 - One(1) Channel HD-SDI Input
 - One(1) Channel HDMI Input
 - One(1) Channel CVBS Input or Output (selected by DIP Switch)
 - One(1) Channel HD-SDI Output
 - One(1) Channel HDMI Output
 - **One(1) RS-232 Console Interface (RJ45)**
 - **Camera Control Interface**
 - One(1) RS-232C, RS422, RS485 Interface for External Camera Control
 - **I/O Interface**
 - Two(2) Alarm Input /One(1) Relay Out

Hardware Specification

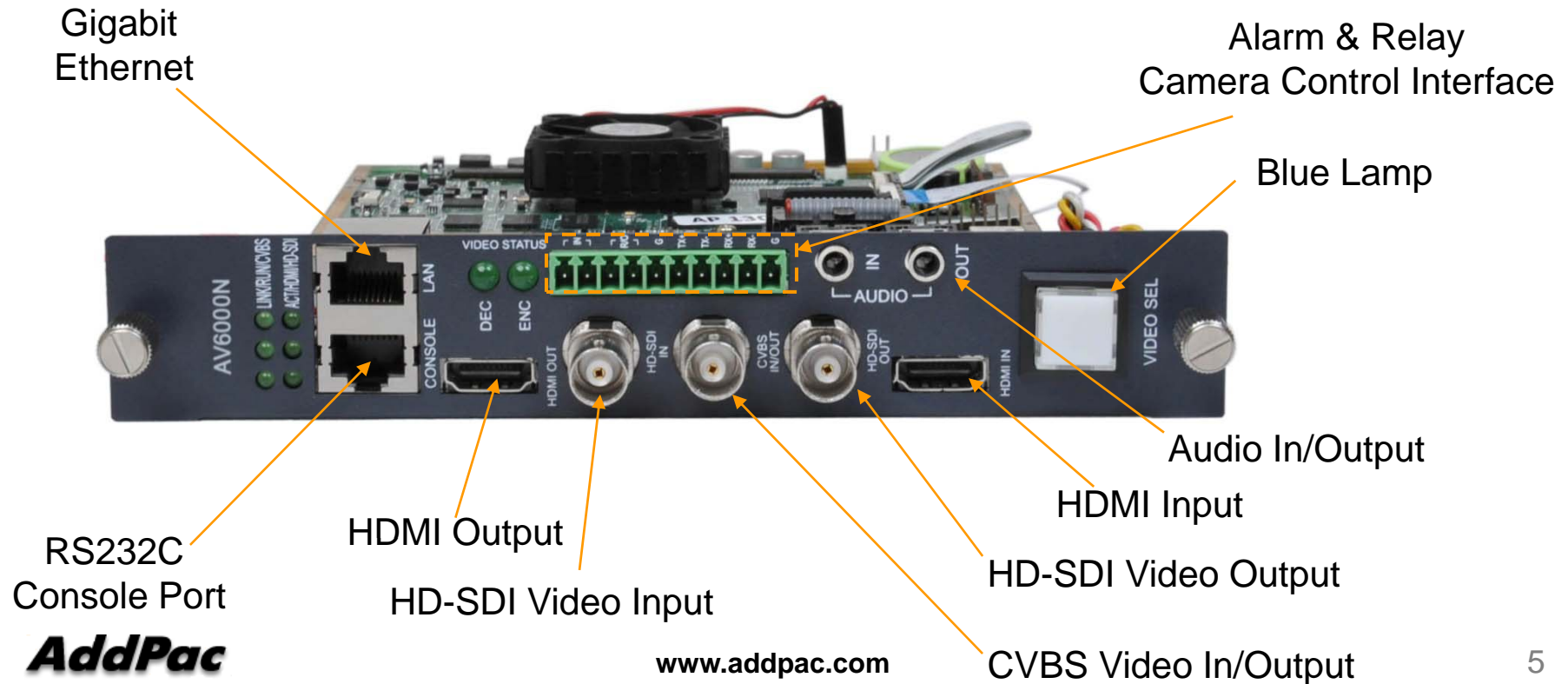
AV6000N Full HD Video Codec Module

RISC
CPU

High-End
VP

Hardware Module Specification

AV6000N HD Video Encoder/Decoder Module(H.264)



Hardware Specification

AV6000NS Full HD Video Codec Module

Hardware Specification

AP-NC2000D Front View



AV6000NS HD Video Module



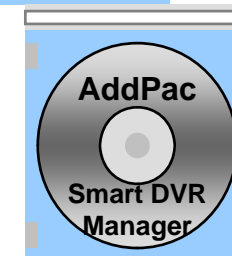
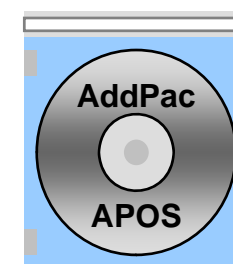
Power On/Off Switch
www.addpac.com

DC Power Supply

Software Service

AV6000NS Full HD Video Codec Module

- Built-in AddPac APOS Internetworking Software
 - Scalability, Functionality, and Stability Features
 - Full HD Video Encoding/Decoding Service Features
 - Video Upscale and Downscaling Service
- Firmware Upgradeable Architecture
- Industry Standard Network Protocol Features
- Highly User Friendly Management Features
 - Smart DVR Manager
 - Telnet or RS-232C based Command Line Interface



Concurrent Triple Bit Stream Matrix

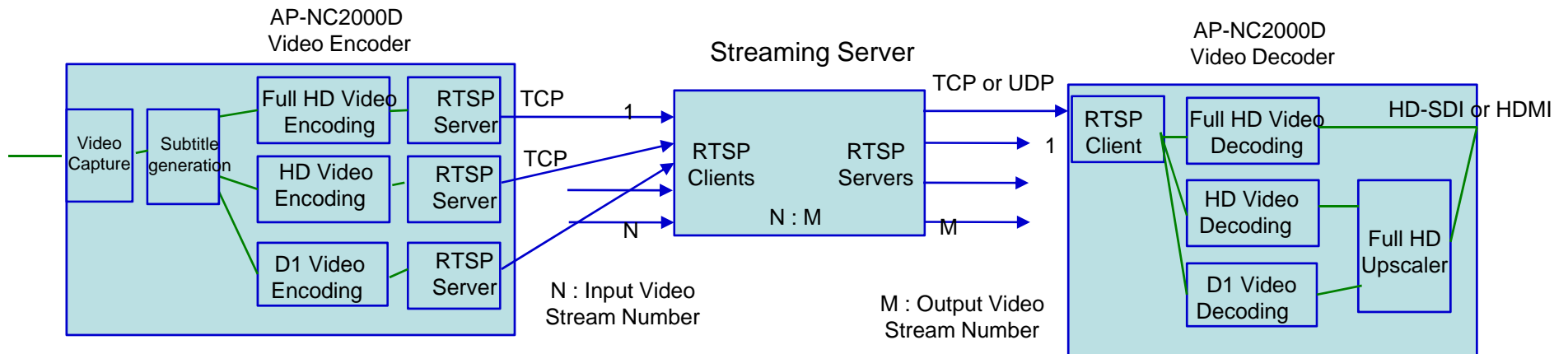
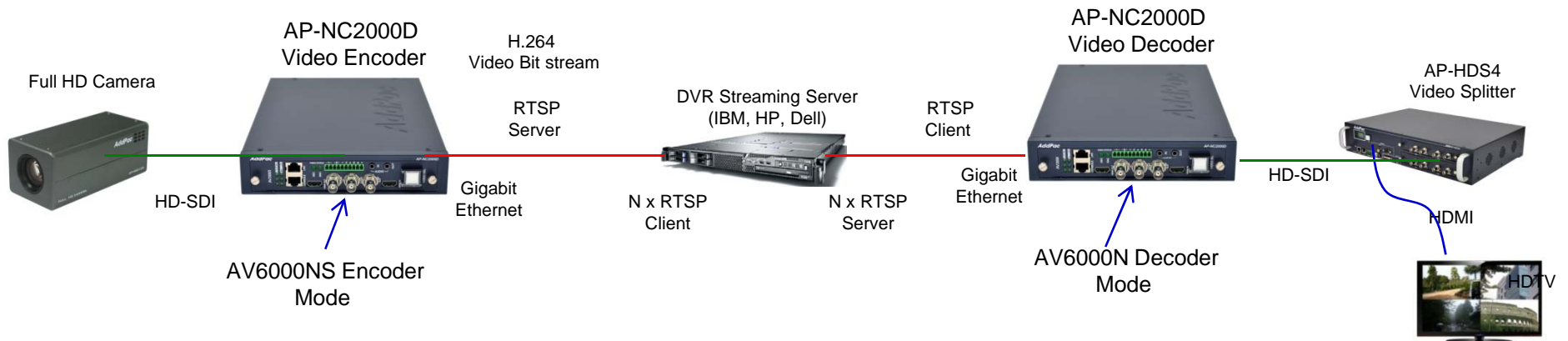
AV6000NS Full HD Video Codec Module

Triple Video Encoding Bit Stream Matrix

Video Input	Concurrent Video Encoding Bit Stream			
	CIF	D1	HD(720P)	FULL HD (1080i)
Analog Video Input (NSTC/PAL)	Available	Available	N/A	N/A
HD-SDI Video Input (720P)	Option	Available	Available	N/A
HD-SDI Video Input (1080i)	Option	Available	Available	Available

RTSP Service Network Diagram

AV6000NS Full HD Video Codec Module



Example (N : M = 64 : 128)

RTSP Service Features

AV6000NS Full HD Video Codec Module

- AV6000NS Video Encoder Mode
 - RTSP Server Mode
 - Multi-Channel RTSP Server Mode
(Full HD, HD, D1 Triple Encoding Mode or Dual Full HD, HD, etc)
 - RTSP, TCP Protocol Support for Error Robust Service
- AV6000NS Video Decoder Mode
 - RTSP Client Mode
 - RTSP/TCP or RTSP/UDP Mode Support

Video Codec Service Features

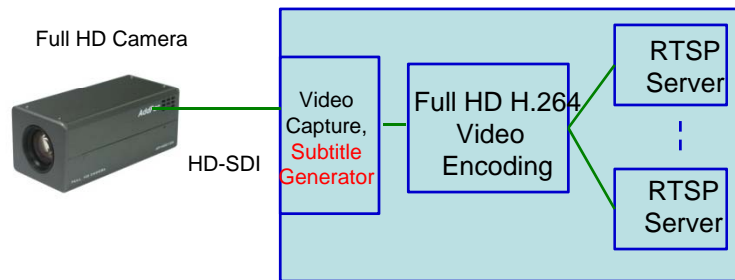
AV6000NS Full HD Video Codec Module

- AV6000NS Video Encoder Mode
 - H.264 Full HD(1080i) Single Encoding (HD-SDI Input)
 - H.264 HD(720P) Single Encoding (HD-SDI Input)
 - H.264 D1(720x480) Single Encoding(Analog Input, HD-SDI Input 720P)
 - H.264 Full HD, HD Dual Encoding(HD-SDI Input)
 - **H.264 Full HD, HD, D1 Triple Encoding (HD-SDI Input)**
 - H.264 Full HD, D1 Dual Encoding (HD-SDI Input)
 - H.264 HD, D1 Dual Encoding (HD-SDI Input)
- AV6000NS Video Decoder Mode
 - H.264 Full HD
 - H.264 HD, Upscale to Full HD
 - H.264 D1, Upscale to Full HD

Video Codec Service Features

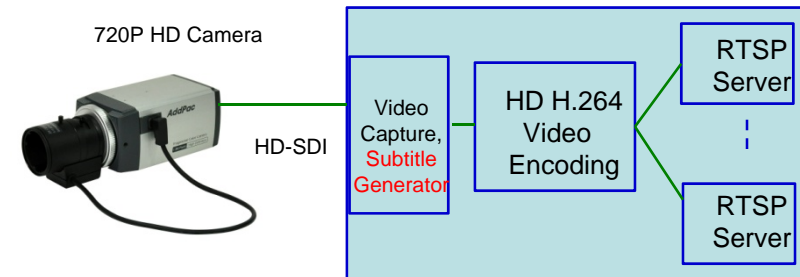
AV6000NS Full HD Video Codec Module

AP-NC2000D Video Encoder



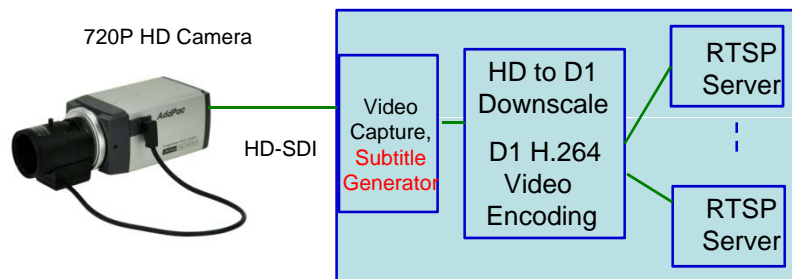
Single Full HD H.264 Video Encoding

AP-NC2000D Video Encoder



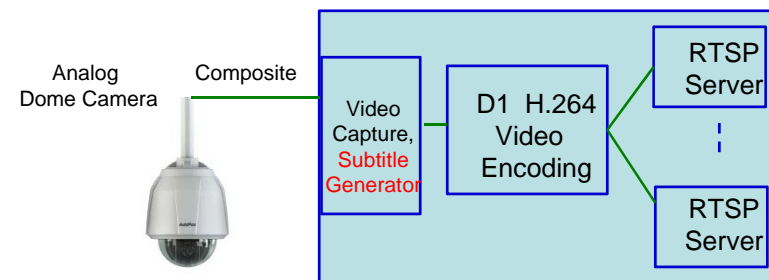
Single HD H.264 Video Encoding

AP-NC2000D Video Encoder



Single D1 H.264 Video Encoding

AP-NC2000D Video Encoder

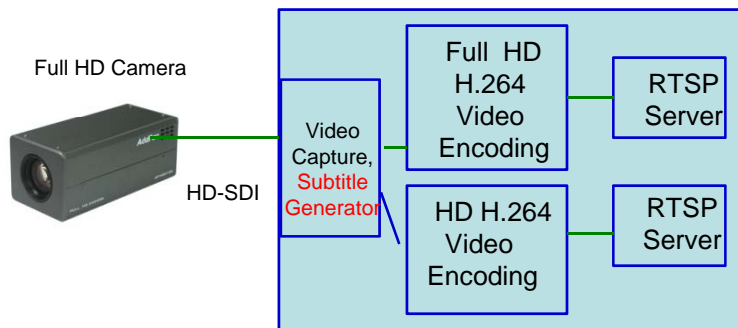


Single D1 H.264 Video Encoding

Video Codec Service Features

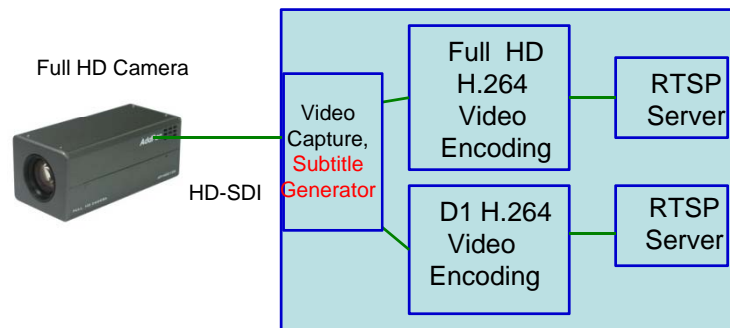
AV6000NS Full HD Video Codec Module

**AP-NC2000D
Video Encoder**

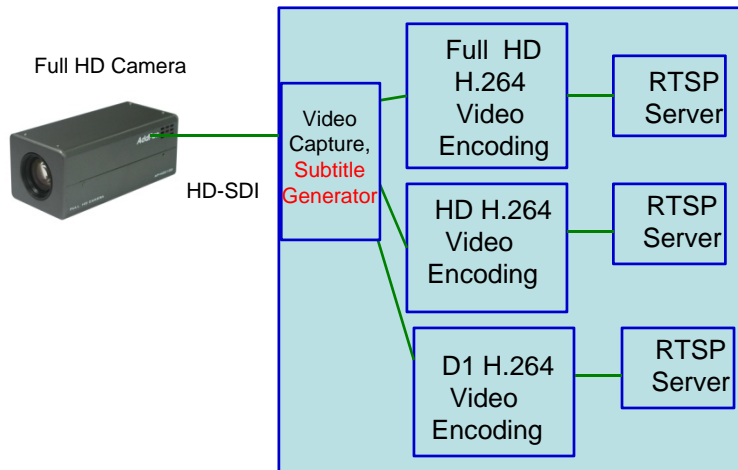


H.264 Full HD, HD Dual Video Encoding

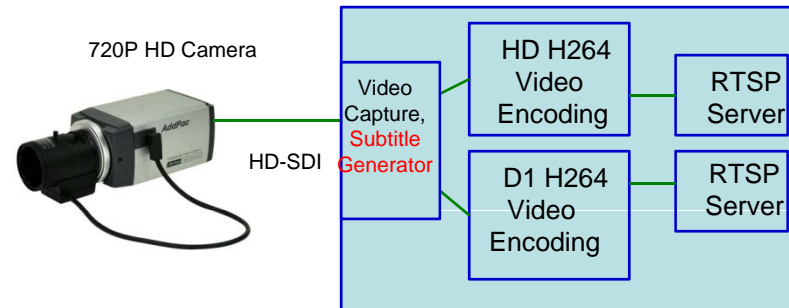
**AP-NC2000D
Video Encoder**



H.264 Full HD, D1 Dual Video Encoding



H.264 Full HD, HD, D1 Triple Video Encoding



H.264 HD, D1 Dual Video Encoding

Subtitle Generator Software Service

AV6000NS Full HD Video Codec Module

HD Subtitle Generator Service Features

- Display Object at specific position(Character, Figure, Diagram, Bitmap)
- Character Object : Color, Font Size, Font, Boundary Color, Box, Box Color, Position, etc
- Character Scrolling Service
- Variable Subtitle Service by PTZ Position Information
- Erase Object within specific area
- Erase All Object
- Status Information Service (S/W Version, Flash Size, etc)
- Network Configuration

Subtitle Generation Manager Features

AV6000NS Full HD Video Codec Module

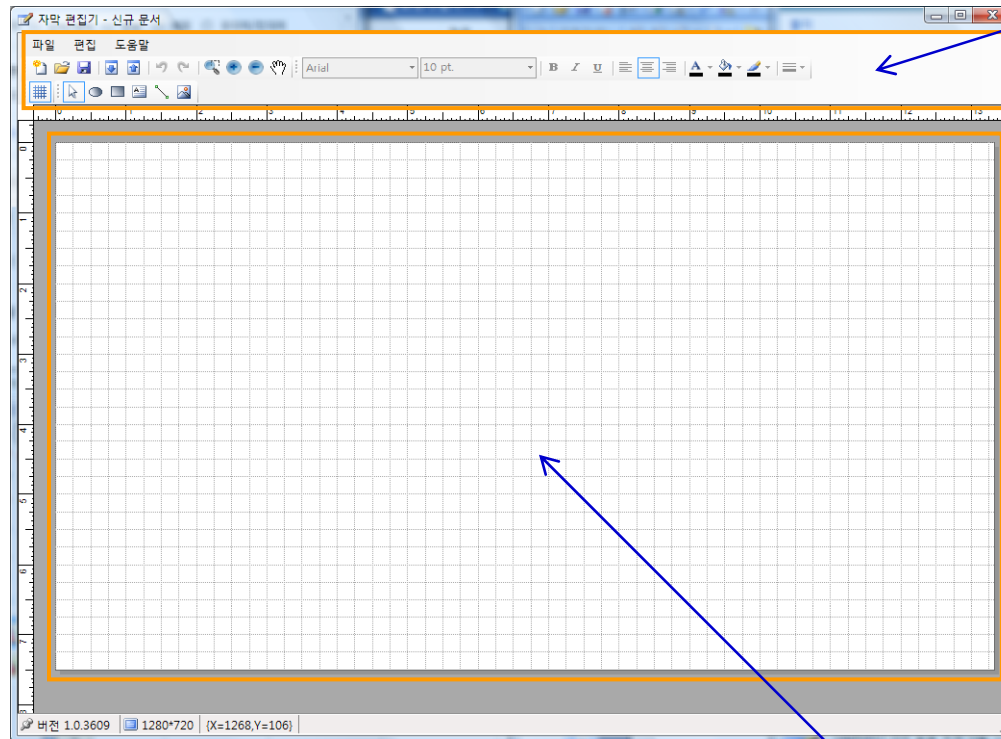
- Subtitle Generation Management
 - Open, Save
 - Import, Export
- Subtitle Generation Edit
 - Polygon (ellipse, rectangle)
 - Line
 - Image
 - Text
- Subtitle Generation Option
 - Font (Font, Size, Style, Align, Color)
 - Style (BackColor, LineColor, Line style)
- Miscellaneous
 - Background image
 - Screen size
 - Zoom (+, -)
 - Undo, Redo, Copy, Paste, Cut

Subtitle Generation Manager Features

AV6000NS Full HD Video Codec Module

MS-Window based SG Manager Main Layout

Program Tool Area for SG Editing




SG Editing Layout Area

Subtitle Generation Manager Features

AV6000NS Full HD Video Codec Module

Tool Menu

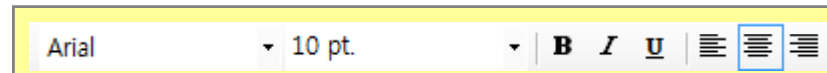


신규문서 : 자막 문서를 신규로 생성합니다.
열기 : 자막 문서 파일 열기를 수행합니다
저장 : 자막 문서를 파일로 저장합니다.

장비에서 가져오기 : 장비로 부터 자막정보를 가져옵니다.
장비로 내보내기 : 작성된 자막정보를 장비로 설정합니다.

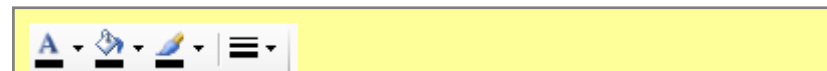
실행 취소 : 화면에서 수행했던 작업을 이전으로 되돌립니다.
다시 실행 : 화면에서 취소했던 작업을 다시 실행합니다.

중 영역 : 마우스로 드래그 하여 영역을 지정하여 확대합니다.
확대 : 화면을 확대합니다
축소 : 화면을 축소합니다
손 도구 : 마우스를 선택하여 화면을 이동합니다



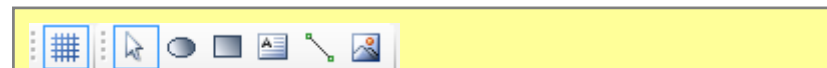
Arial 10 pt. **B** *I* U [List Icon] [List Icon] [List Icon]

폰트 : 텍스트 폰트 지정합니다.
크기 : 텍스트 크기를 지정합니다.
스타일 : 텍스트의 스타일(볼드, 이탤릭, 언더바)를 지정합니다
텍스트 정렬 : 텍스트의 정렬방식을 지정합니다.



[Text Color Icon] [Background Color Icon] [Line Color Icon] [Line Style Icon]

텍스트 색상 : 텍스트의 색상을 지정합니다.
배경 색상 : 객체의 배경 색상을 지정합니다.
선 색상 : 선의 색상을 지정합니다.
선 스타일 : 선의 스타일(굵기)를 지정합니다.



[Grid Icon] [Hand Icon] [Circle Icon] [Square Icon] [Text Icon] [Image Icon]

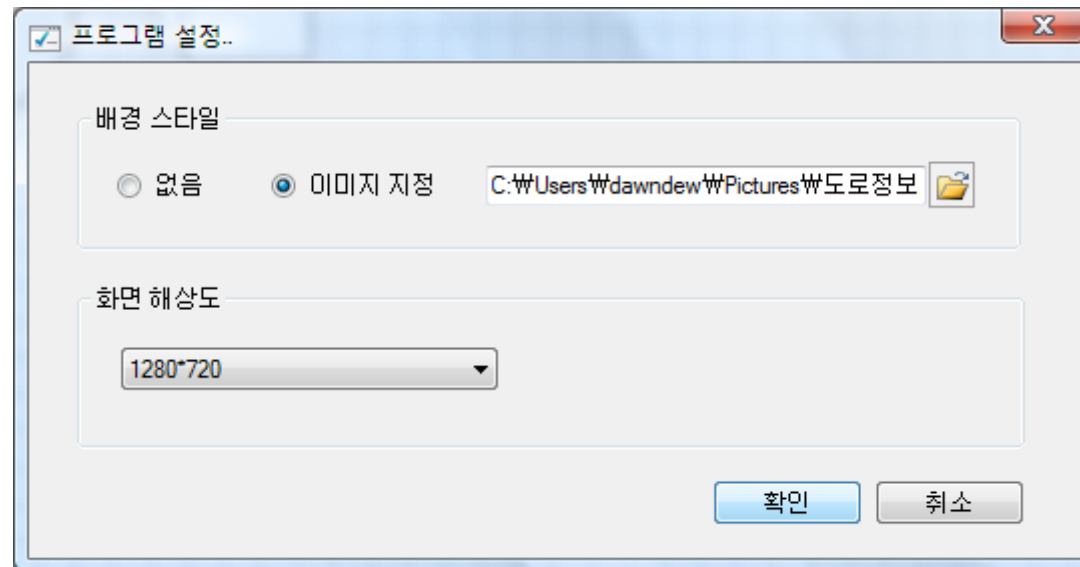
격자 표시 : 디자이너 배경화면의 격자무늬를 활성화/비활성화 합니다.
포인트 : 마우스 포인트로 선택합니다.
타원 : 원형 도구를 선택합니다.
정사각형 : 정사각형 도구를 선택합니다.
텍스트 : 텍스트 도구를 선택합니다.
선 : 선 도구를 선택합니다.
이미지 : 이미지 도구를 선택합니다.

Subtitle Generation Manager Features

AV6000NS Full HD Video Codec Module

SG Editing Area Configuration

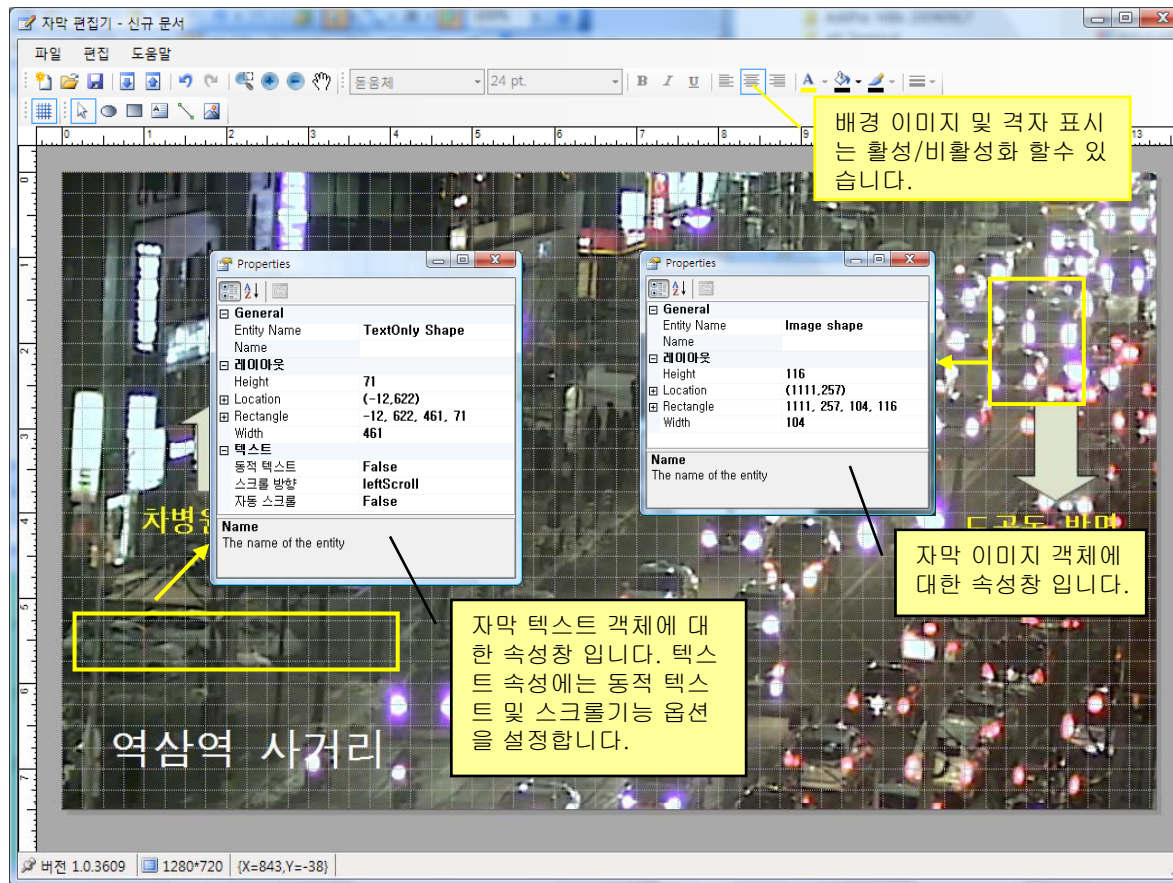
- Background Style (Image, etc)
- Image Resolution (Ex : 1280 x720)



Subtitle Generation Manager Features

AV6000NS Full HD Video Codec Module

SG Editing Example



Network Service and Features

AV6000NS Full HD Video Codec Module

Basic Network Protocols

- ARP, IPv4, TCP, UDP, ICMP, SCTP, IGMP, MLD

Routing Protocol

- IPv4 : Static

Service Protocol

- FTP, Telnet, TFTP, DHCP Server/Relay, SNMP Server
- CDP (Cisco Discovery Protocol)
- DNS Resolver , DDNS(nsupdate)
- Bridge
- Syslog

IPv4 Address Configuration

- Fixed (Static)
- DHCP
- PPPoE

Miscellaneous

- Standard & Extended IPv4 Access List
- Multi-level User Account Management
- IP accounting

Ordering Information

- AV6000NS Full HD Video Codec Module
 - Main Chassis (Option) : AP-NC2000D, AP-NC2000, AP-NC3000, AP-NC5000
 - AP6000NS Full HD Video Codec Module
 - Including Network Cable Set & Power Supply Cable, etc
- Built-in APOS Internetworking Software for AV6000NS Module
- Including 1 Year Hardware Warranty
- Product Documents
 - Install and Operation Guide (PDF)
- Pricing
 - AddPac Technology Regional Sales Manager
 - Authorized Sales and Marketing Representatives
 - Please Contact www.addpac.com



Thank you!

AddPac Technology Co., Ltd.
Sales and Marketing

Phone +82.2.568.3848 (KOREA)

FAX +82.2.568.3847 (KOREA)

E-mail sales@addpac.com