

AP-PSB2000

IP based Power Switch Box

High Performance IP Power Switch Box for LED Light Power Control

Product Overview



AddPac

AddPac Technology

Sales and Marketing

www.addpac.com

Contents

- Product Overview
- Hardware Specification
- Network Diagram
- Ordering Information



Product Overview

AP-PSB2000 IP Power Switching Box for LED Light Power Control

- IP based Remote LED Power ON/OFF Controller
- LED Light On/Off Control for CCTV Camera at Night Time
- Remote CCTV Backlight Control Solution for Unmanned Security Zone
- AddPac Integrated Security Management System Solution
- Power Control Port
 - One(1) AC Power Input
 - Three(3) AC Power Output (Manual Power On/Off Switch)
- Network Interface
 - One(1) 10/100Mbps Fast Ethernet Interface
 - One(1) RS232C Interface
- Firmware Upgradeable Architecture(FTP, TFTP)
- Smart Web Manager Support

Hardware Specification

AP-PSB2000 IP Power Switching Box for LED Light Power Control

A square logo with a dark blue background and a white border. The text "RISC" is positioned above "CPU" in a white, sans-serif font.

RISC
CPU

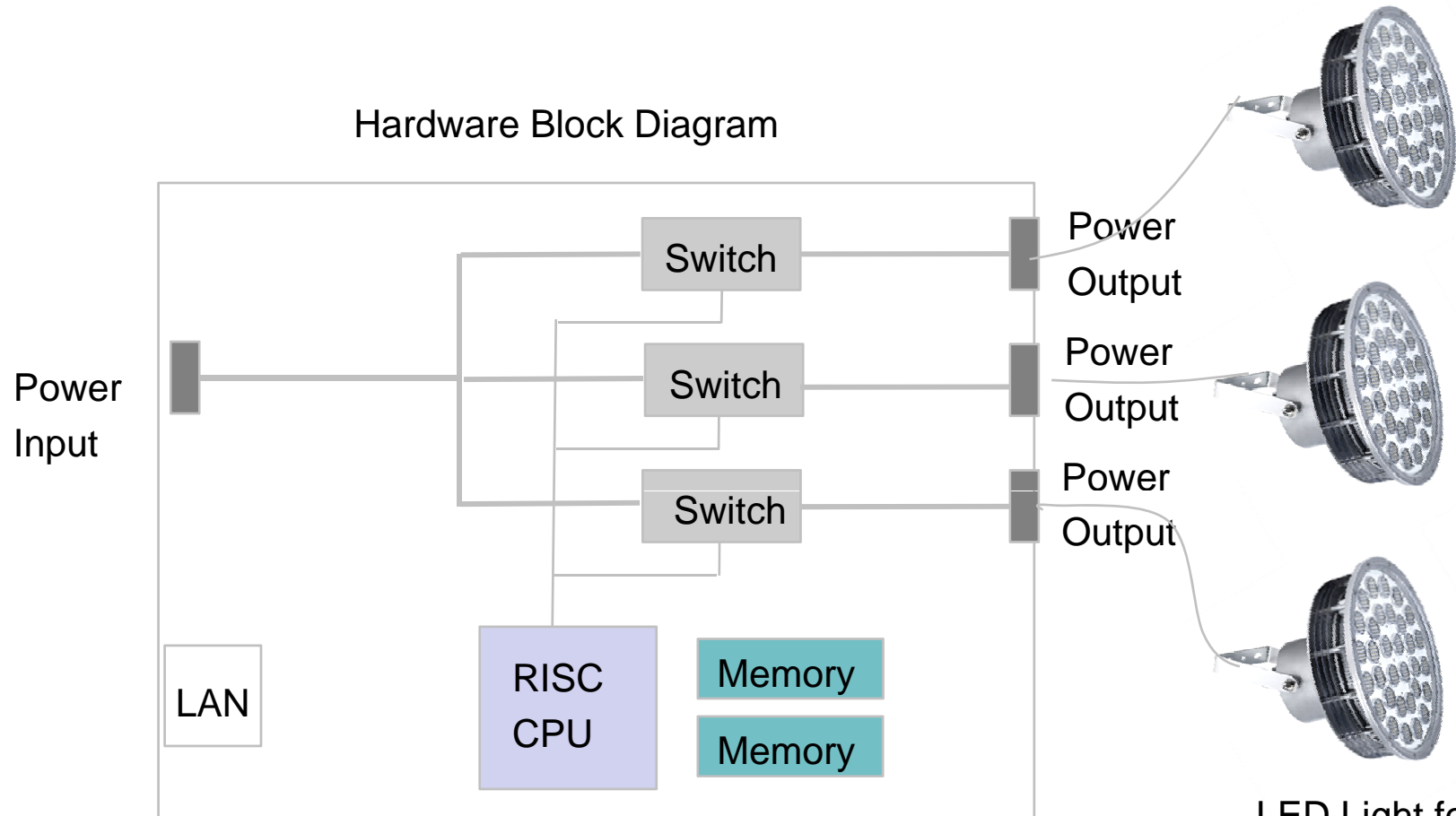
- RISC Microprocessor Computing Power
- Status LED Support
- Power Control Interface
 - One(1) AC Input
 - Three(3) AC Output
- Network Interface
 - One(1) 10/100Mbps Fast Ethernet (RJ45)
 - One(1) RS-232C Interface (RJ45)

Hardware Specification

AP-PSB2000 IP Power Switching Box for LED Light Power Control



Hardware Block Diagram



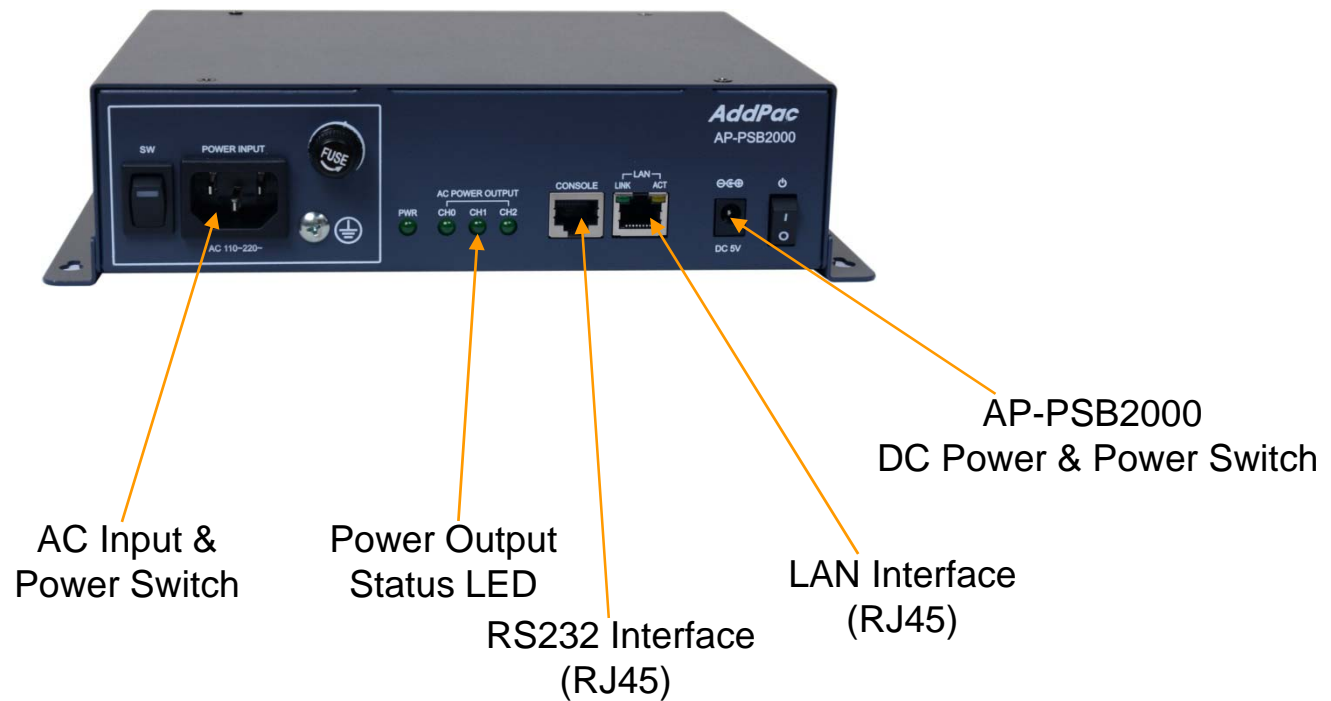
LED Light for CCTV Camera

Hardware Specification

RISC
CPU

AP-PSB2000 IP Power Switching Box for LED Light Power Control

Front Side

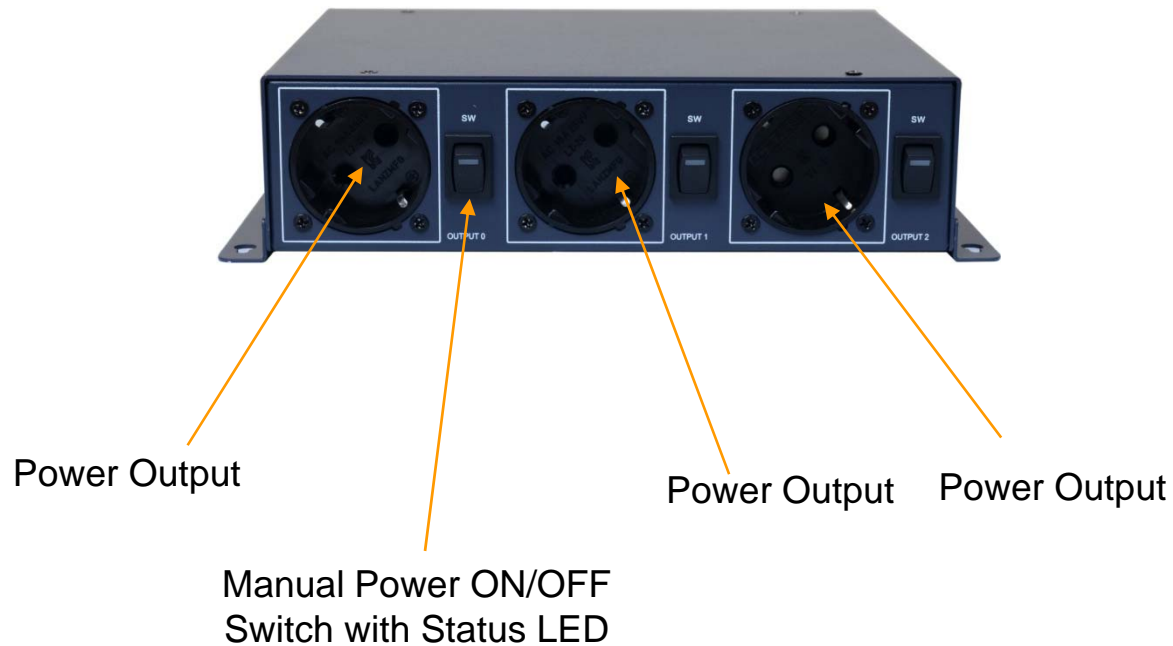


Hardware Specification

RISC
CPU

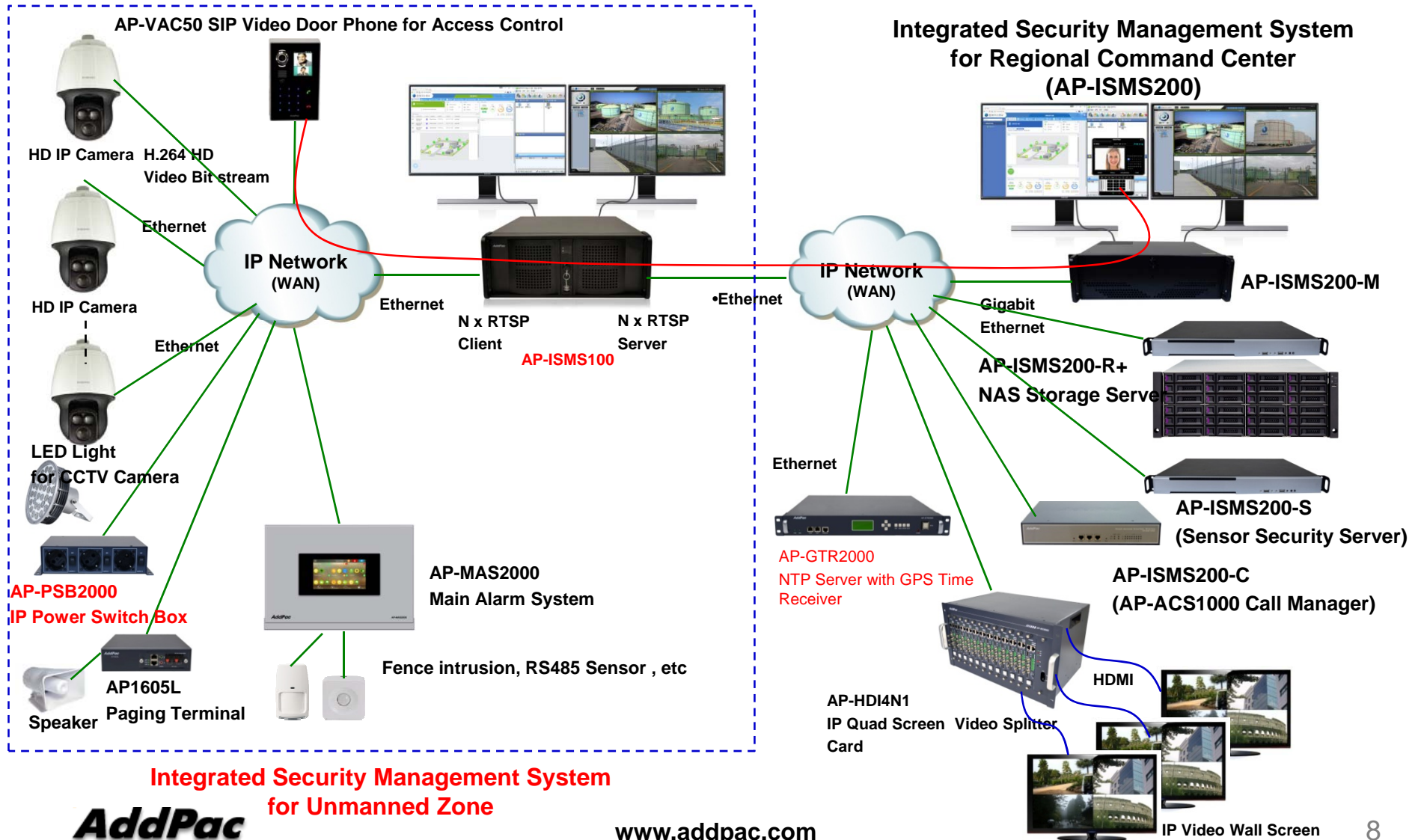
AP-PSB2000 IP Power Switching Box for LED Light Power Control

Rear Side



Network Diagram

AP-PSB2000 IP Power Switching Box for LED Light Power Control



Ordering Information

- **AP-PSB2000 IP based Power Switch Box**
 - AP-PSB2000 Main Body
 - RISC Microprocessor
 - One(1) AC Power Input, Three(3) AC Power Output
 - One(1) 10/100Mbps Fast Ethernet, RS232C Console Port
 - Including Network Cable Set & Power Supply, etc.
- **Built-in APOS Internetworking Software for AP-PSB2000**
- **Including 1 Year Hardware Warranty**
- **Product Documents**
 - Install and Operation Guide (PDF)
- **Pricing**
 - AddPac Technology Regional Sales Manager
 - Authorized Sales and Marketing Representatives
 - Please Contact www.addpac.com



Thank you!

AddPac Technology Co., Ltd.
Sales and Marketing

Phone +82.2.568.3848 (KOREA)

FAX +82.2.568.3847 (KOREA)

E-mail sales@addpac.com