

AP-PSB2000

IP based Power Switch Box

High Performance IP Power Switch Box for LED Light Power Control

3rd Party API Overview



AddPac

AddPac Technology

Sales and Marketing

www.addpac.com

Contents

- Product Overview
- Hardware Specification
- 3'rd Party API Overview



Product Overview

AP-PSB2000 IP Power Switching Box

- IP based Remote Power ON/OFF Controller
- LED Light On/Off Control for CCTV Camera at Night Time
- Remote CCTV Backlight Control Solution for Unmanned Security Zone
- AddPac Integrated Security Management System Solution
- Power Control Port
 - One(1) AC Power Input
 - Three(3) AC Power Output (Manual Power On/Off Switch)
- Network Interface
 - One(1) 10/100Mbps Fast Ethernet Interface
 - One(1) RS232C Interface
- Firmware Upgradeable Architecture(FTP, TFTP)
- Smart Web Manager Support

Hardware Specification

AP-PSB2000 IP Power Switching Box for LED Light Power Control

A square logo with a dark blue background and a light blue border. The text "RISC" is positioned above "CPU" in a white, sans-serif font.

RISC
CPU

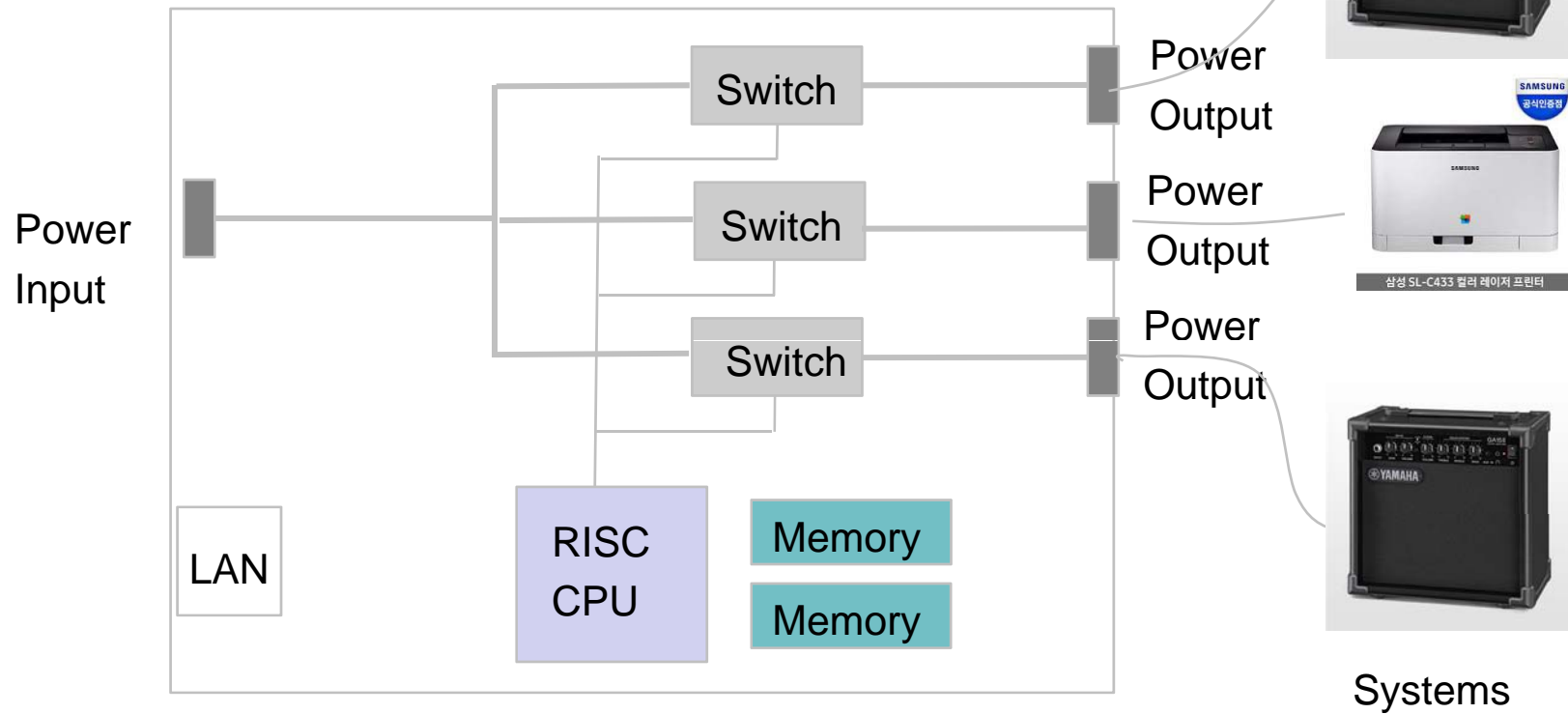
- RISC Microprocessor Computing Power
- Status LED Support
- Power Control Interface
 - One(1) AC Input
 - Three(3) AC Output
- Network Interface
 - One(1) 10/100Mbps Fast Ethernet (RJ45)
 - One(1) RS-232C Interface (RJ45)

Hardware Specification

AP-PSB2000 IP Power Switching Box for LED Light Power Control



Hardware Block Diagram

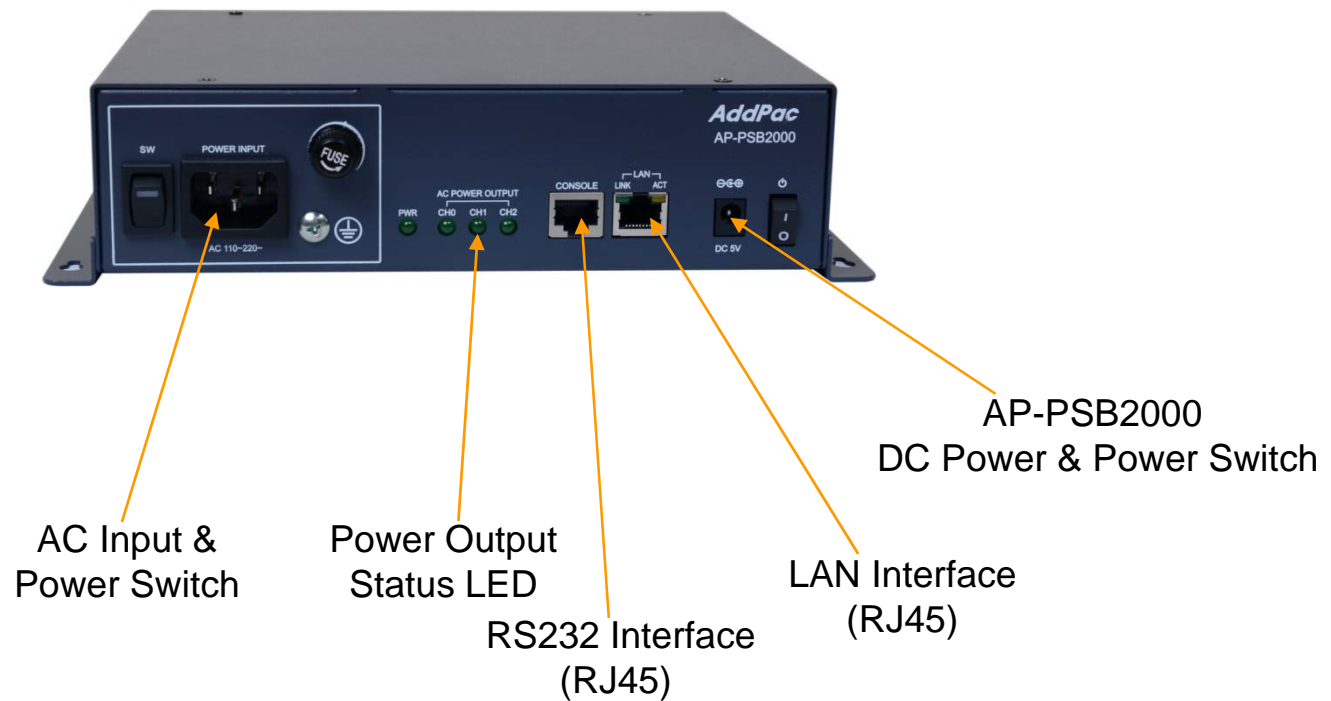


Hardware Specification

RISC
CPU

AP-PSB2000 IP Power Switching Box for LED Light Power Control

Front Side

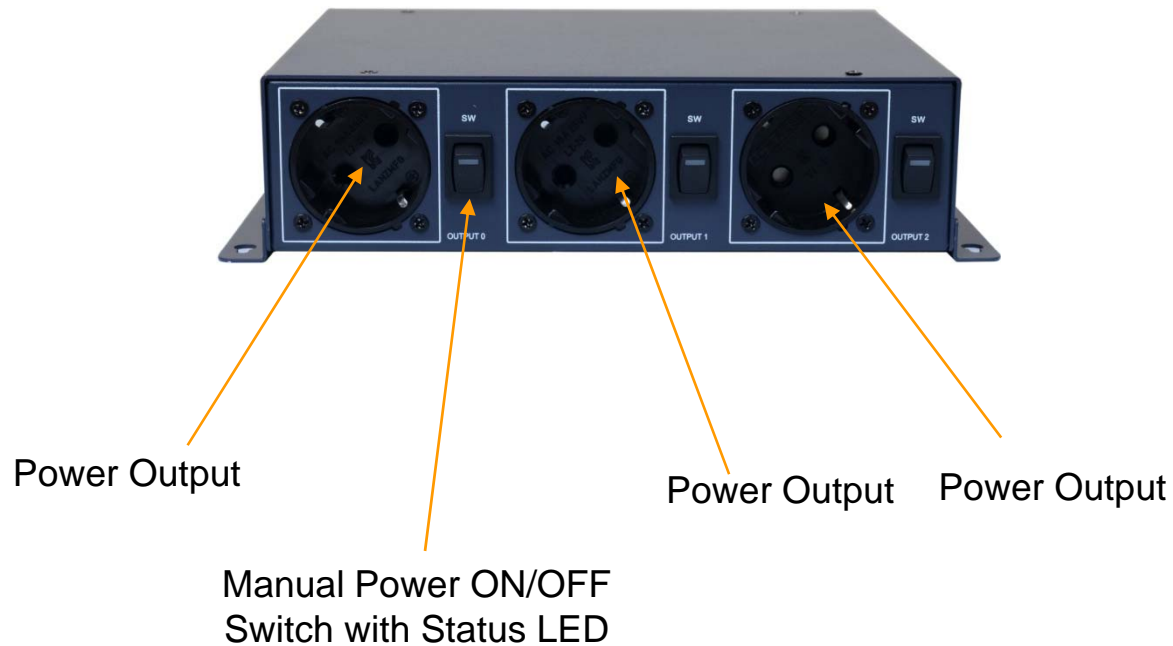


Hardware Specification

RISC
CPU

AP-PSB2000 IP Power Switching Box for LED Light Power Control

Rear Side



3'rd Party API Overview

- Support traditional client/server service model
- Use XML over TCP
 - Support flexible argument.
- Support Digest Access Authentication
 - *RFC2609 : An Extension to HTTP: Digest Access Authentication*
- Support port configuration and status
 - *Max slot, max port*
 - *Port on/off status*
- Support remote port control
 - On/Off control
- Support port status notification
 - On/Off status



Thank you!

AddPac Technology Co., Ltd.
Sales and Marketing

Phone +82.2.568.3848 (KOREA)

FAX +82.2.568.3847 (KOREA)

E-mail sales@addpac.com