



AP-PSB2000

IP based Power Switch Box

High Performance Remote IP Power Switch Box

Smart Web Manager Overview



AddPac

AddPac Technology

Sales and Marketing

www.addpac.com

Contents

- Product Overview
- Hardware Specification
- Smart Web Manager Overview

Product Overview

AP-PSB2000 IP Power Switching Box for Remote Power On Off Control

- IP based Remote System Power ON/OFF Controller
- LED Light On/Off Control for CCTV Camera at Night Time
- AddPac Integrated Security Management System Solution
- Power Control Port
 - One(1) AC Power Input
 - Three(3) AC Power Output (Manual Power On/Off Switch)
- Network Interface
 - One(1) 10/100Mbps Fast Ethernet Interface
 - One(1) RS232C Interface
- Firmware Upgradeable Architecture(FTP, TFTP)
- Smart Web Manager Support

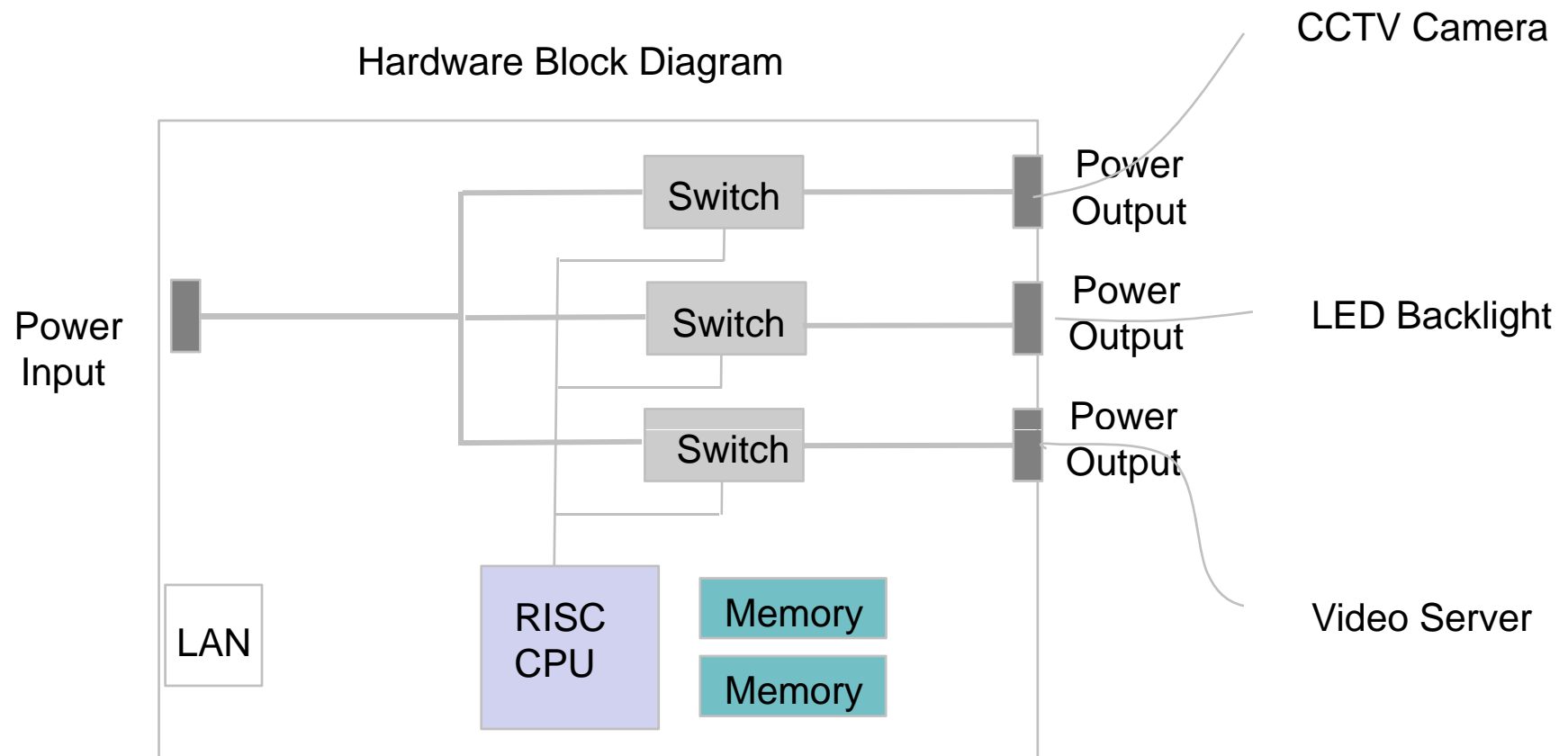
Hardware Specification

AP-PSB2000 IP Power Switching Box for Remote Power On Off Control

- RISC Microprocessor Computing Power
- Status LED Support
- Power Control Interface
 - One(1) AC Input
 - Three(3) AC Output
- Network Interface
 - One(1) 10/100Mbps Fast Ethernet (RJ45)
 - One(1) RS-232C Interface (RJ45)

Hardware Specification

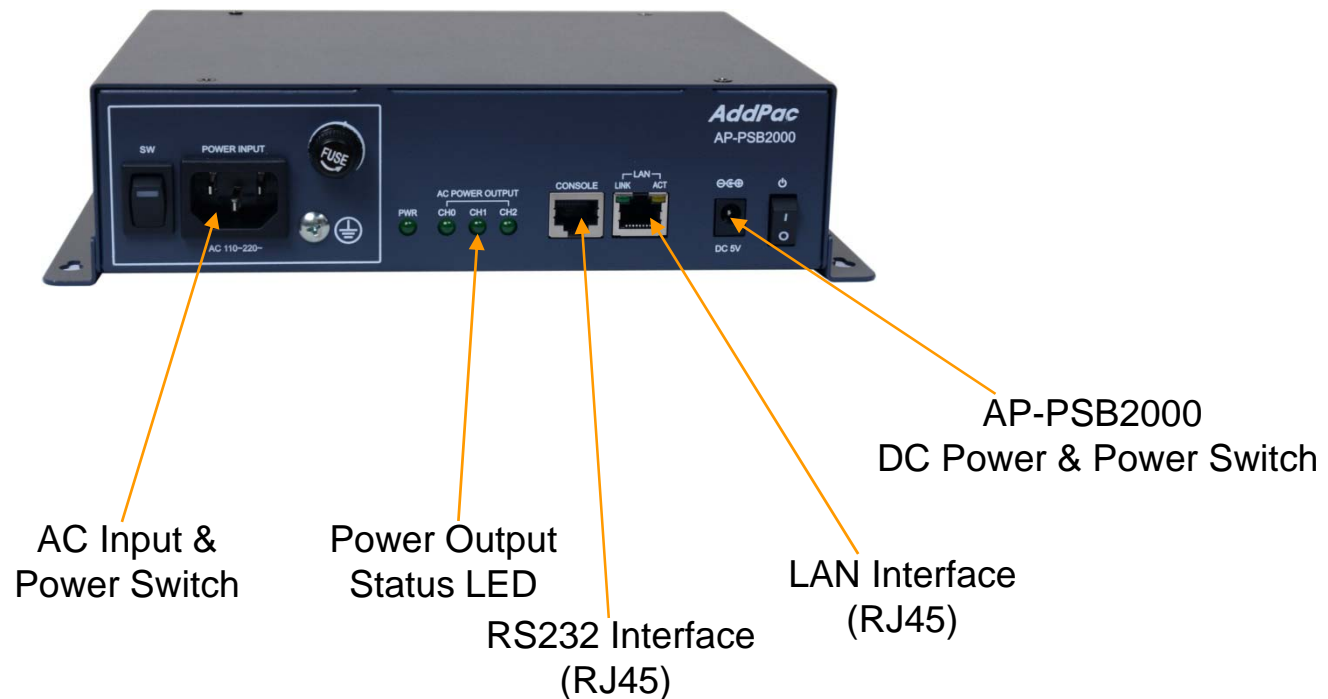
AP-PSB2000 IP Power Switching Box for Remote Power On Off Control



Hardware Specification

AP-PSB2000 IP Power Switching Box for Power On Off Control

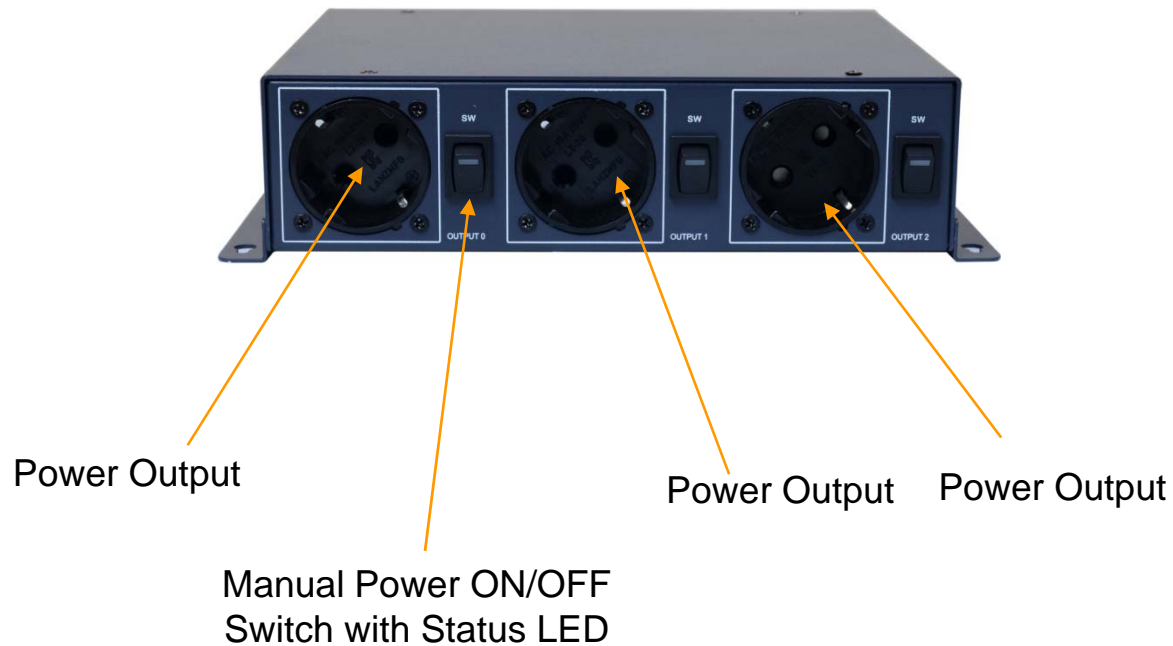
Front Side



Hardware Specification

AP-PSB2000 IP Power Switching Box for Power On Off Control

Rear Side





Smart Web Manager Overview

Contents

- Main
- System
- Basic
- Advanced
- Miscellaneous

Main : System Information

The screenshot displays the 'System Information' page in the Smart Web Manager interface. The page is organized into three main sections: a left-hand navigation menu, a central data table, and a right-hand information sidebar.

Left-hand Navigation Menu:

- System
 - Language
 - Network Setup
 - System Time
 - NTP
- Basic
 - POD
 - Schedule
 - Schedule Template
 - Day Template
- Advanced
 - Service
 - Filtering
- Miscellaneous
 - Ping

Central System Information Table:

HW Version	REV 1.0
SW Version	8.50.031
MAC Address	0002.a4ff.dacf
Network Information	Static 172.17.207.134
WAN LINK Status	100Mbps FULL Duplex Link UP
Current Time	Fri Feb 7 14:08:39 2020
System Startup Time	Fri Feb 7 14:05:20 2020
System Running Time	0 days 00:02:19

Right-hand Information Sidebar:

Information

AddPac Tehnology
Model : AP-PSB2000_02
HW Version : 1.0
SW Version : 8.50.031
Smart Web Version : 8.41.0.3
Smart Web Build : Jan 31 2020
Network : Static 172.17.207.134
Mac Address: 0002.a4ff.dacf

Description

At the bottom of the page, there is a small copyright notice: ©AddPac Tehnology . all rights reserved.

System : Language

Smart Web Manager
www.addpac.com

System

- Language
- Network Setup
- System Time
- NTP

Basic

Advanced

Miscellaneous

Configure Language

한국어

English

Apply

Information

AddPac Tehonology
Model : PSB2000_G2
HW Version : 1.0
SW Version : 8.50.00T
Smart Web Version : 8.41.0.3
Smart Web Build : Sep 4 2018
Network : Static 172.17.209.120
Mac Address : 0002-a1ff-fc0d

Description

Choose the basic language to be applied. English is set at default.

©AddPac Tehonology , all rights reserved.

System : Network Setup

The screenshot displays the 'Smart Web Manager' interface for network configuration. The main content area is titled 'Network Setup' and includes the following fields and options:

- Hostname:** A text input field containing 'PSB'.
- IP Address:** A text input field containing '172.17.209.120' with a small 'A.B.C.D' label to its right.
- Network Mask:** A text input field containing '255.255.0.0' with a small 'A.B.C.D' label to its right.
- Static IP:** A radio button option that is currently selected.
- Default Router:** A text input field with a small 'A.B.C.D' label to its right.
- DNS Server:** Two text input fields labeled 'Primary DNS Server' and 'Secondary DNS Server'.
- DHCP:** A radio button option that is currently unselected.
- WAN Link Control:** A radio button option that is currently unselected.
- Speed:** Two radio button options labeled '100' and '10'.
- Duplex:** Two radio button options labeled 'full' and 'half'.

At the bottom left of the main area is an 'Apply' button with a green checkmark icon. On the right side, there is an 'Information' panel with the following details:

- AddPac Tehonology
- Model : PSB2000_G2
- H/W Version : 1.0
- S/W Version : 8.50.00T
- Smart Web Version : 8.41.0.3
- Smart Web Build : Sep 4 2018
- Network : Static 172.17.209.120
- Mac Address: 0002 a4ff fced

Below the information panel is a 'Description' section with the following text:

This command sets up WAN port. The static IP address is to be assigned from the service provider and you can enter the assinged IP address. For DHCP and PPPoE, the IP address of the device can be changed. MAC Address change can be used only when necessary. It is recommended to use the address created by the user not the address of the device

The footer of the interface contains the text: ©AddPac Tehonology, all rights reserved.

System : System Time

The screenshot shows the 'System Time' configuration page in the Smart Web Manager interface. The page has a dark blue header with the 'Smart Web Manager' logo and navigation icons. A left sidebar contains a menu with 'System Time' selected. The main content area is titled 'System Time' and contains two sections: 'System Time' with date and time pickers (9 Month, 20 Day, 2018 Year, 6 Hour, 17 Minute, 0 Second) and 'Time Zone' with a name field and a dropdown for hours and minutes. An 'Apply' button is at the bottom left. A right sidebar shows system information like 'AddPac Tehonology', 'Model : PSB2000_G2', and 'Mac Address: 0002.a4ff.fced'. A footer contains the copyright notice '©AddPac Tehonology , all rights reserved.'

System :NTP

The screenshot shows the 'Smart Web Manager' interface for configuring NTP. The page has a dark blue header with the logo and navigation icons. A left sidebar contains a menu with 'System', 'Basic', 'Advanced', and 'Miscellaneous'. The main content area is titled 'NTP' and features a form with the following fields:

- Enable Disable
- Primary Server: (Domain Name or IP Address)
- Secondary Server: (Domain Name or IP Address)
- Interval: (1-72 hours)
- Hours Offset: : (-23-23 hours) ; (0-60 minute)

Below the form is a green 'Apply' button. On the right side, there is an 'Information' panel with the following details:

- AddPac Tehonology
- Model : PSB2000_G2
- H/W Version : 1.0
- S/W Version : 8.50.00T
- Smart Web Version : 8.41.0.3
- Smart Web Build : Sep 4 2018
- Network : Static 172.17.209.120
- Mac Address: 0002.a4ff.fced

Below the information is a 'Description' panel with the text: 'Set up Time Saver of Gateway'. At the bottom of the page, there is a copyright notice: '©AddPac Tehonology , all rights reserved.'

Basic : PSB Setup

The screenshot shows the 'PSB Setup' page in the Smart Web Manager. The interface includes a left sidebar with navigation options: System, Basic (selected), Advanced, and Miscellaneous. The main content area is titled 'PSB Setup' and contains a table with three columns: Port, Description, Current State, and New State. There are three rows, each with a port number (1, 2, 3), an empty description field, and a 'Current State' of 'Off'. Each 'Current State' has a corresponding 'New State' dropdown menu set to 'off'. Below the table is an 'Apply' button with a green checkmark icon. On the right side, there is an 'Information' panel displaying device details: AddPac Tehonology, Model: PSB2000_G2, H/W Version: 1.0, S/W Version: 8.50.00T, Smart Web Version: 8.41.0.3, Smart Web Build: Sep 4 2018, Network: Static 172.17.209.120, and Mac Address: 0002 a4ff fced. A 'Description' field is also present but empty. The footer of the page reads '©AddPac Tehonology , all rights reserved.'

Port	Description	Current State	New State
1		Off	off ▼
2		Off	off ▼
3		Off	off ▼

Basic : Schedule

Smart Web Manager

System

- Language
- Network Setup
- System Time
- NTP

Basic

- PSB
- Schedule
- Schedule Template
- Day Template

Advanced

- Service
- Filtering

Miscellaneous

- Ping

Schedule :

Name:

Default State:

Index	Schedule Template	State
1	<input type="text" value="On"/>	<input type="text" value="On"/>
2	<input type="text" value="On"/>	<input type="text" value="On"/>
3	<input type="text" value="On"/>	<input type="text" value="On"/>
4	<input type="text" value="On"/>	<input type="text" value="On"/>
5	<input type="text" value="On"/>	<input type="text" value="On"/>
6	<input type="text" value="On"/>	<input type="text" value="On"/>
7	<input type="text" value="On"/>	<input type="text" value="On"/>
8	<input type="text" value="On"/>	<input type="text" value="On"/>
9	<input type="text" value="On"/>	<input type="text" value="On"/>
10	<input type="text" value="On"/>	<input type="text" value="On"/>
11	<input type="text" value="On"/>	<input type="text" value="On"/>
12	<input type="text" value="On"/>	<input type="text" value="On"/>
13	<input type="text" value="On"/>	<input type="text" value="On"/>
14	<input type="text" value="On"/>	<input type="text" value="On"/>
15	<input type="text" value="On"/>	<input type="text" value="On"/>
16	<input type="text" value="On"/>	<input type="text" value="On"/>
17	<input type="text" value="On"/>	<input type="text" value="On"/>
18	<input type="text" value="On"/>	<input type="text" value="On"/>
19	<input type="text" value="On"/>	<input type="text" value="On"/>
20	<input type="text" value="On"/>	<input type="text" value="On"/>
21	<input type="text" value="On"/>	<input type="text" value="On"/>
22	<input type="text" value="On"/>	<input type="text" value="On"/>
23	<input type="text" value="On"/>	<input type="text" value="On"/>
24	<input type="text" value="On"/>	<input type="text" value="On"/>
25	<input type="text" value="On"/>	<input type="text" value="On"/>
26	<input type="text" value="On"/>	<input type="text" value="On"/>
27	<input type="text" value="On"/>	<input type="text" value="On"/>
28	<input type="text" value="On"/>	<input type="text" value="On"/>
29	<input type="text" value="On"/>	<input type="text" value="On"/>
30	<input type="text" value="On"/>	<input type="text" value="On"/>
31	<input type="text" value="On"/>	<input type="text" value="On"/>
32	<input type="text" value="On"/>	<input type="text" value="On"/>

Apply Done

Information

AddPac Technology
Model: AP100200_02
SW Version: 1.0
HW Version: 8.01.01
Smart Web Version: 8.41.0.3
Smart Web Build: Jan 31 2020
Network: Static
172.17.207.124
Mac Address: 0002.a4f.f4a7

Clear/Save

Basic : Schedule Template

The screenshot displays the 'Schedule Template' configuration page in the Smart Web Manager. The interface includes a left-hand navigation menu with categories: System (Language, Network Setup, System Time, NTP), Basic (PSB, Schedule, Schedule Template, Day Template), Advanced (Service, Filtering), and Miscellaneous (Ping). The main content area is titled 'Schedule Template :'. It features a 'Name' text input field, a 'Day Template' dropdown menu, and a 'Week' configuration row with checkboxes for Sun, Mon, Tue, Wed, Thu, Fri, and Sat. Below this is a 'Time' field with two time selection boxes (e.g., 0:00 - 0:00). At the bottom of the form are 'Apply' and 'Delete' buttons. On the right side, there is an 'Information' panel showing device details: AddPac Technology, Model: AP-PSB2000_02, HW Version: 1.0, SW Version: 8.50.031, Smart Web Version: 8.41.0.3, Smart Web Build: Jan 31 2020, Network: Static 172.17.207.134, and Mac Address: 0002.a4ff.dccf. A 'Description' field is also present but empty. The footer of the page contains the copyright notice: ©AddPac Tehonology , all rights reserved.

Basic : Day Template

The screenshot displays the 'Smart Web Manager' interface for configuring a 'Day Template'. The interface is divided into several sections:

- System:** Language, Network Setup, System Time, NTP.
- Basic:** PGB, Schedule, Schedule Template, Day Template.
- Advanced:** Service, Filtering.
- Miscellaneous:** Ping.

The main content area is titled 'Day Template :'. It features a 'Name' input field and a 'Select' dropdown menu. Below this is a 'Week' row with checkboxes for Sun, Mon, Tue, Wed, Thu, Fri, and Sat. The core of the interface is a calendar grid with columns for months 1 through 31 and rows for days 1 through 12. Each cell in the grid contains a small square icon, likely representing a service or filter status for that specific day and month. At the bottom of the grid are 'Apply' and 'Delete' buttons.

On the right side, an 'Information' panel provides system details:

- Model: AP-PS82000_G2
- HW Version: 1.0
- SW Version: 8.50.031
- Smart Web Version: 8.41.0.3
- Smart Web Build: Jan 31 2020
- Network: Static 172.17.207.134
- Mac Address: 0002-a4fd-dact

A 'Description' field is also present but currently empty.

©AddPac Tehonology , all rights reserved.

Advanced : Service

Smart Web Manager
www.addpac.com

System | **Basic** | **Advanced** | **Service** | **Miscellaneous**

Service

Applicaton Services

<input checked="" type="checkbox"/> Enable Telnet	Server Port	23	(default 23, 1-65535)
<input checked="" type="checkbox"/> Enable HTTP	Server Port	80	(default 80, 1-65535)
<input type="checkbox"/> Enable FTP	Control Port	21	(default 21, 1-65535)
	Data Port	20	(default 20, 1-65535)

Information
AddPac Tehonology
Model : PSB2000_G2
H/W Version : 1.0
S/W Version : 8.50.00T
Smart Web Version : 8.41.0.3
Smart Web Build : Sep 4 2018
Network : Static 172.17.209.120
Mac Address: 0002.a4ff.fced

Description
Enable or disable Telnet, HTTP, FTP and specify the access port and Call Hold/ Transfer and Timer .

©AddPac Tehonology , all rights reserved.

Advanced : Filter

Smart Web Manager
www.addpac.com

Filter

FTP Filter

Network Addr	Network Mask	Control
<input type="text"/>	<input type="text"/>	<input type="button" value="Add"/>

HTTP Filter

Network Addr	Network Mask	Control
<input type="text"/>	<input type="text"/>	<input type="button" value="Add"/>

Telnet/SSH Filter

Network Addr	Network Mask	Control
<input type="text"/>	<input type="text"/>	<input type="button" value="Add"/>

Information

AddPac Technology
Model : AP-PSB2009_02
HW Version : 1.0
SW Version : 8.50.031
Smart Web Version : 8.41.0.3
Smart Web Build : Jan 31 2020
Network : Static 172.17.207.134
Mac Address: 0002 a4ff dact

Description

For FTP, HTTP, Telnet, set up one IP or IP band for allowing access

©AddPac Technology . All rights reserved.

Miscellaneous : Ping

The screenshot shows the 'Smart Web Manager' interface with the 'Ping' configuration page selected. The page features a sidebar with navigation options: System, Basic, Advanced, and Miscellaneous (expanded to show Ping). The main content area has a 'Ping' title and a form with a 'Host address' input field and a 'Start' button. A right-hand sidebar contains 'Information' (AddPac Tehonology, Model: PSB2000_G2, HW Version: 1.0, SW Version: 8.50.00T, Smart Web Version: 8.41.0.3, Smart Web Build: Sep 4 2018, Network: Static 172.17.209.120, Mac Address: 0002.a4ff.fced) and a 'Description' section explaining the ping function.

Smart Web Manager
www.addpac.com

System +
Basic +
Advanced +
Miscellaneous -
- Ping

Ping

Host address Start

Information
AddPac Tehonology
Model : PSB2000_G2
HW Version : 1.0
SW Version : 8.50.00T
Smart Web Version : 8.41.0.3
Smart Web Build : Sep 4 2018
Network : Static 172.17.209.120
Mac Address: 0002.a4ff.fced

Description
Verify the outgoing Ping to the outside from the device by entering IP address and URL. Verify network status of the location in where the terminal is located.

©AddPac Tehonology , all rights reserved.

LMS VoIP Gateway Series

Thank you!

AddPac Technology Co., Ltd.
Sales and Marketing

Phone +82.2.568.3848 (KOREA)

FAX +82.2.568.3847 (KOREA)

E-mail sales@addpac.com