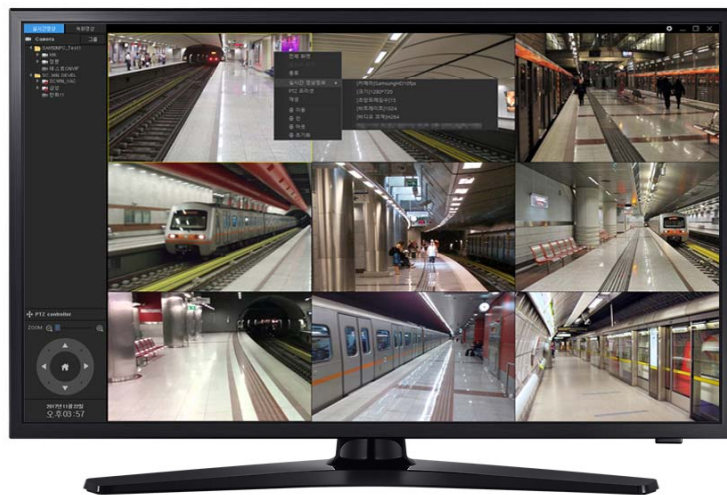


CCTV VMS

Metadata Handling Service



AddPac

AddPac Technology

Sales and Marketing

www.addpac.com

Contents

- Metadata Service Procedure
- Metadata Example (Samsung IP Camera)
- Metadata Handling Example



Metadata Service Procedure

1. Check the IP Camera Metadata Service Capability (DESCRIBE)

a=rtpmap:107 vnd.onvif.metadata/90000

a=control:rtsp://172.16.54.189:554/onvif/profile2/media.smp/trackID=m

a=recvonly

2. Metadata Communication Channel Setup (SETUP)

SETUP rtsp://172.16.54.189:554/onvif/profile2/media.smp/trackID=m RTSP/1.0

CSeq: 80

Transport: RTP/AVP/TCP;unicast;interleaved=4-5

Session: 19892

User-Agent: AddPac media player (APOS Streaming Media)

3. Metadata Relay Service in RTSP Video Streaming Server

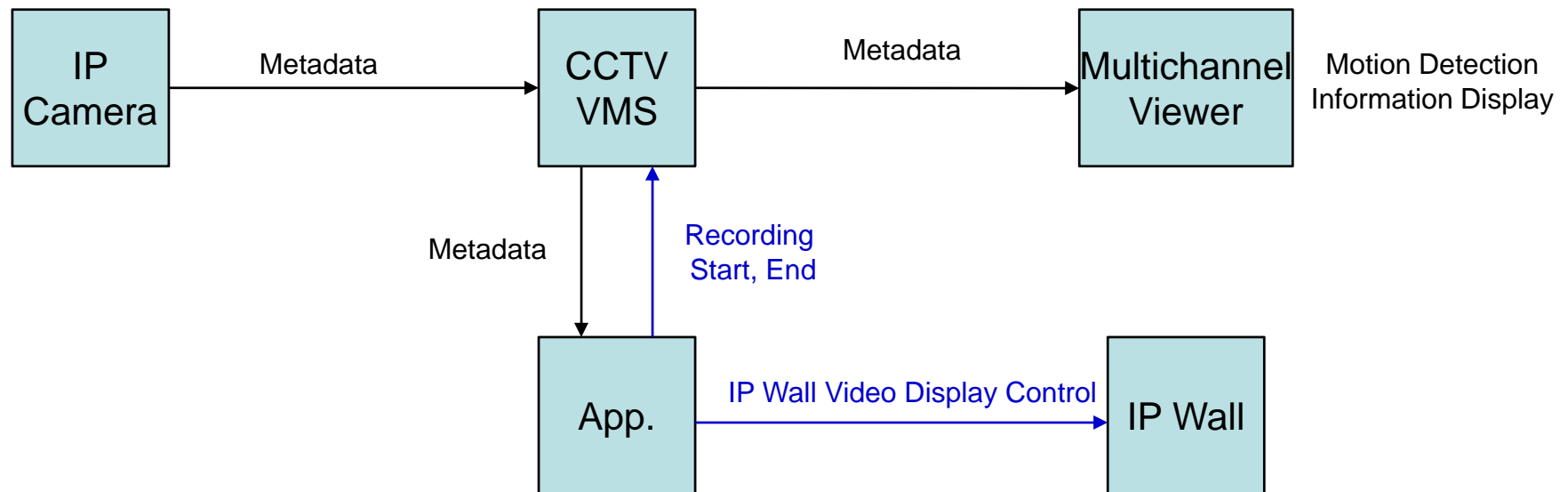
ONVIF Message Format Metadata Receive and Relay

Metadata Example (Samsung IP Camera)

```
<?xml version="1.0" encoding="UTF-8"?>
<tt:MetadataStream xmlns:tt="http://www.onvif.org/ver10/schema" xmlns:tns1="http://www.onvif.org/ver10/topics"
  xmlns:tnsamsung="http://www.samsungcctv.com/2011/event/topics" xmlns:wsnt="http://docs.oasis-open.org/wsn/b-2">
  <tt:Event>
    <wsnt:NotificationMessage>
      <wsnt:Topic Dialect="http://www.onvif.org/ver10/tev/topicExpression/ConcreteSet">
        tns1:VideoAnalytics/tnsamsung:MotionDetection</wsnt:Topic>
      <wsnt:Message>
        <tt:Message UtcTime="2018-06-26T08:49:30.959Z" PropertyOperation="Changed">
          <tt:Source>
            <tt:SimpleItem Name="VideoSourceToken" Value="5f9f88cc-95f3-4efb-a536-eabc85d98ea" />
          </tt:Source>
          <tt>Data>
            <tt:SimpleItem Name="State" Value="true" />
          </tt>Data>
        </tt:Message>
      </wsnt:Message>
    </wsnt:NotificationMessage>
  </tt:Event>
</tt:MetadataStream>
```

Metadata Handling Example (Motion Detection)

- IP Camera Metadata Handling Example (Motion Detection)
 - VMS (Streaming & Recording Server) : Metadata Receive, and Relay to Viewer Part and Application Part.
 - Multichannel Viewer : IP Camera Motion Detection Information Display on Viewer
 - Application : VMS Video Recording Start, End Control and IP Wall Video Display Control.





Thank you!

AddPac Technology Co., Ltd.
Sales and Marketing

Phone +82.2.568.3848 (KOREA)

FAX +82.2.568.3847 (KOREA)

E-mail : sales@addpac.com