

AP-GTR250

GPS based Embedded NTP Server

Hardware Design Concept



AddPac

AddPac Technology

Sales and Marketing

www.addpac.com

Contents

- Product Overview
- Hardware Specification
- Hardware Block Diagram
- SNTP (Simple Network Time Protocol) Server Diagram



Product Overview

AP-GTR250 Embedded GPS NTP Server

- Compact Size Embedded NTP Server Solution for SMB
- IP based GPS Time Receiver (Location Free, etc)
- Embedded NTP Server Solution
- Simple NTP Protocol Support
- External Antenna Interface Support
- Various Antenna Support for GPS Signal (Option, Default : 10m GPS Antenna)
- Hour/Minute/Sec GPS Time Display LED
- LED Support for GPS SYNC Indication
- RS232C Console Support for Command Line Interface
- One(1) 10/100Mbps Fast Ethernet Interface Support
- Smart Web Manager for System Configuration & Management
- Window, Linux Simple Socket API Program Support
- Firmware Upgradeable Architecture

Hardware Specification

AP-GTR250 Embedded GPS NTP Server

RISC
CPU

High-end
GPS

- RISC Microprocessor Computing Power
- High-end GPS Hardware Architecture
- External GPS Antenna Interface Support
- GPS Time Display LED (Hour/Minute/Sec)
- GPS Status LED Support at Front Side
- One(1) 10/100Mbps Fast Ethernet Interface
- External Power Supply with Power On/Off Switch
- GPS Antenna (Option) : Default 10M
- Dimension : 28mm x 125mm x 90mm (H x W x D)
- Weight : 0.5Kg

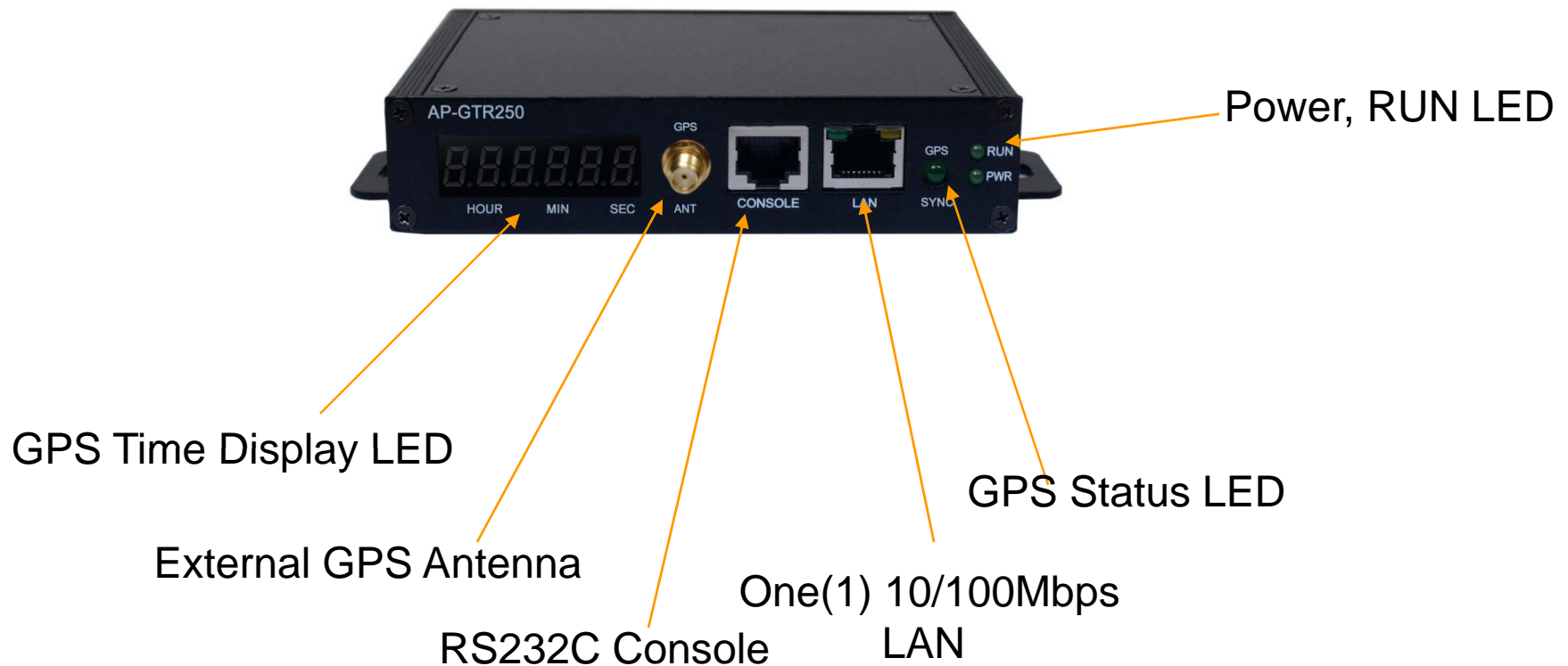
Hardware Specification

AP-GTR250 Embedded GPS NTP Server

RISC
CPU

High-end
GPS

Front Side



Hardware Specification

AP-GTR250 Embedded GPS NTP Server

RISC
CPU

High-end
GPS

Back Side



External Power
Supply

Power Switch

Hardware Specification

AP-GTR250 Embedded GPS NTP Server

RISC
CPU

High-end
GPS

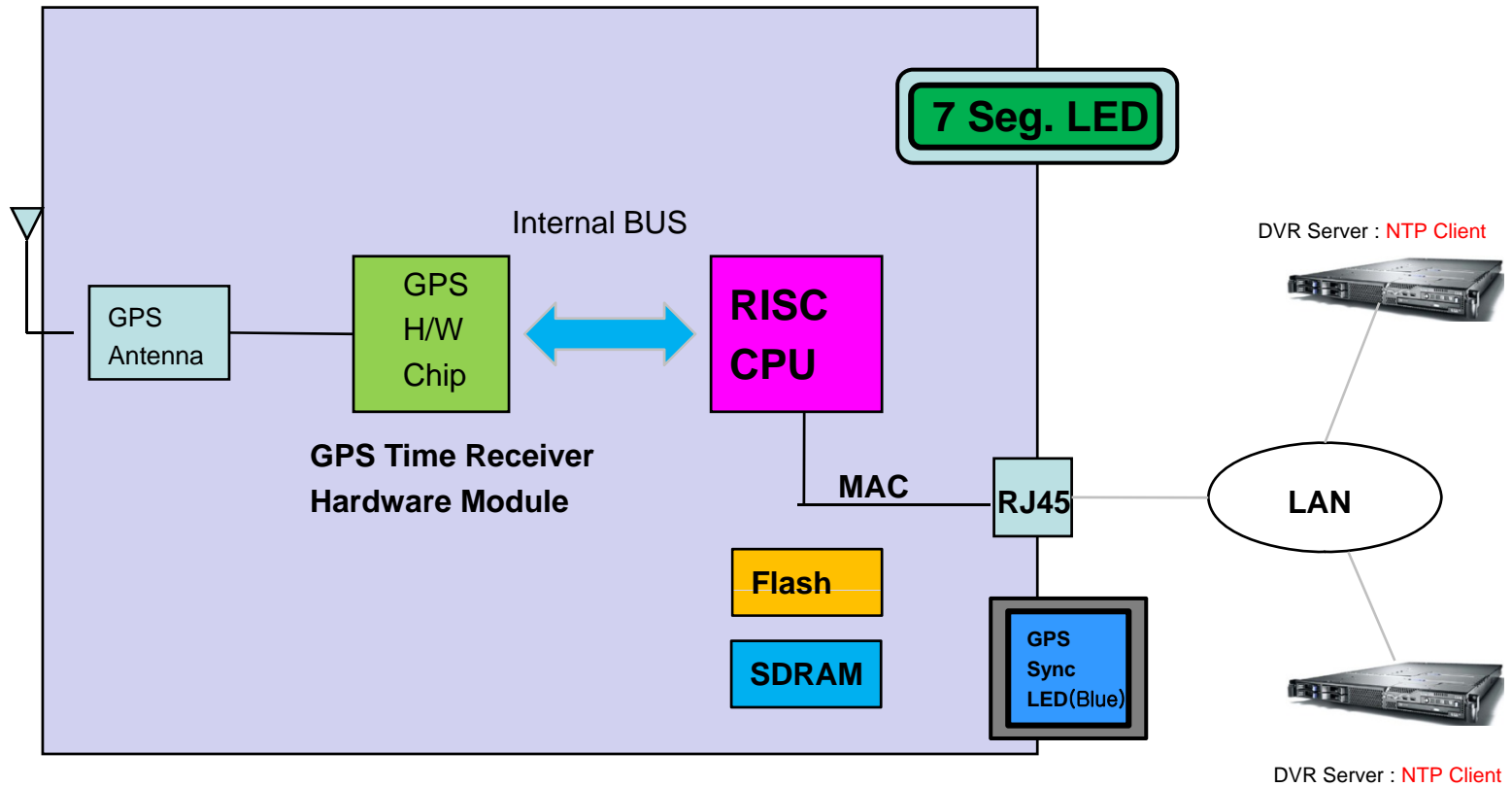
GPS Antenna



H/W Block Diagram

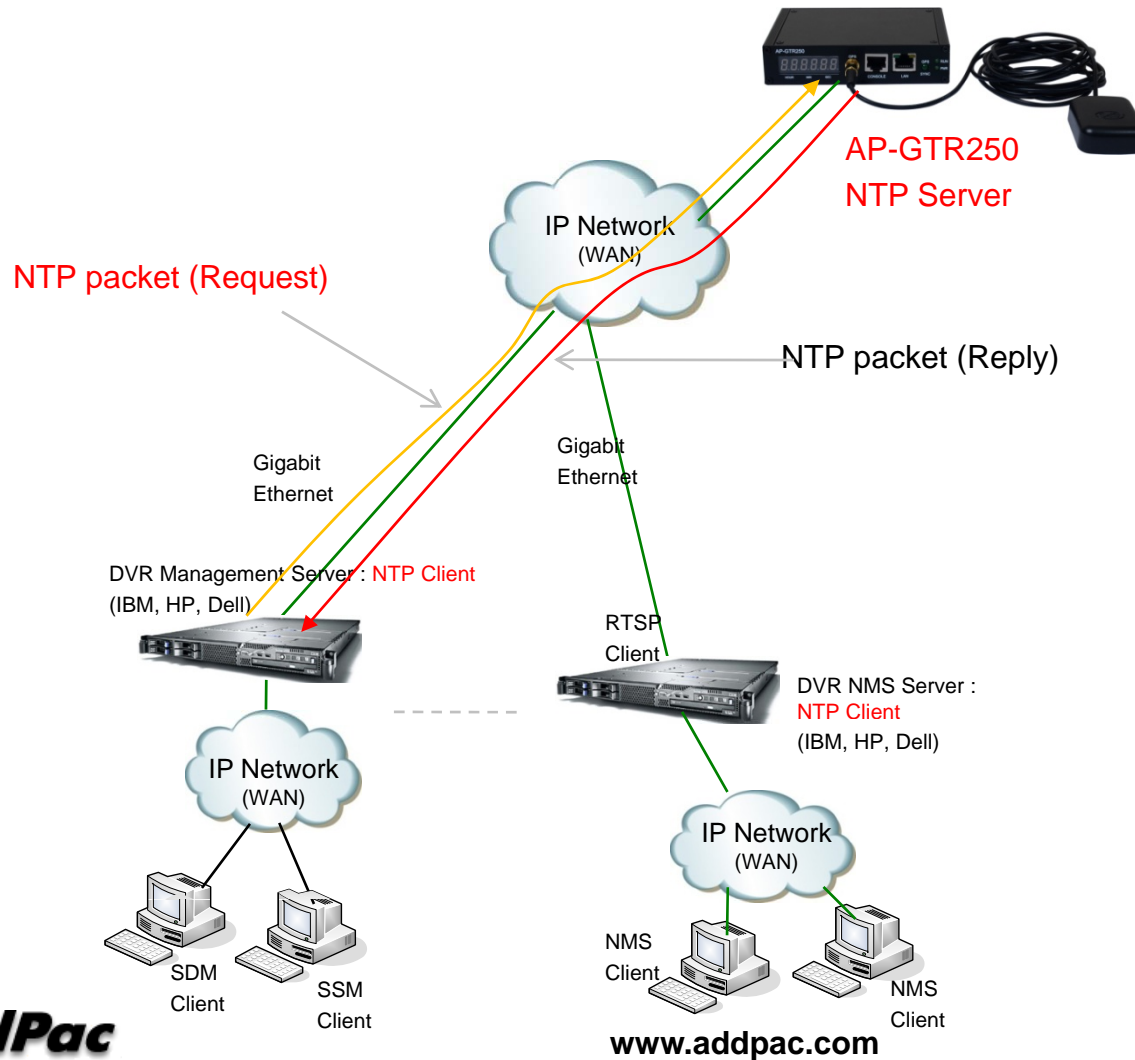
AP-GTR250 Embedded GPS NTP Server

Internal H/W Block Diagram



SNTP (Simple Network Time Protocol)

AP-GTR250 GPS based Embedded NTP Server





Thank you!

AddPac Technology Co., Ltd.
Sales and Marketing

Phone +82.2.568.3848 (KOREA)

FAX +82.2.568.3847 (KOREA)

E-mail sales@addpac.com