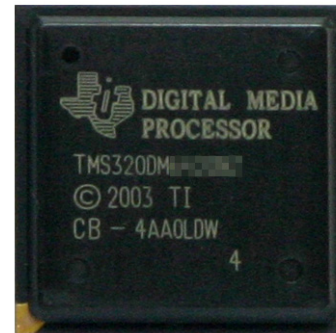




# APOSd™

Audio/Video DSP Codec Solution

APOSd : AddPac Operating System for DSP



## **AddPac**

**AddPac Technology**

2005, Sales and Marketing

[www.addpac.com](http://www.addpac.com)

# Contents

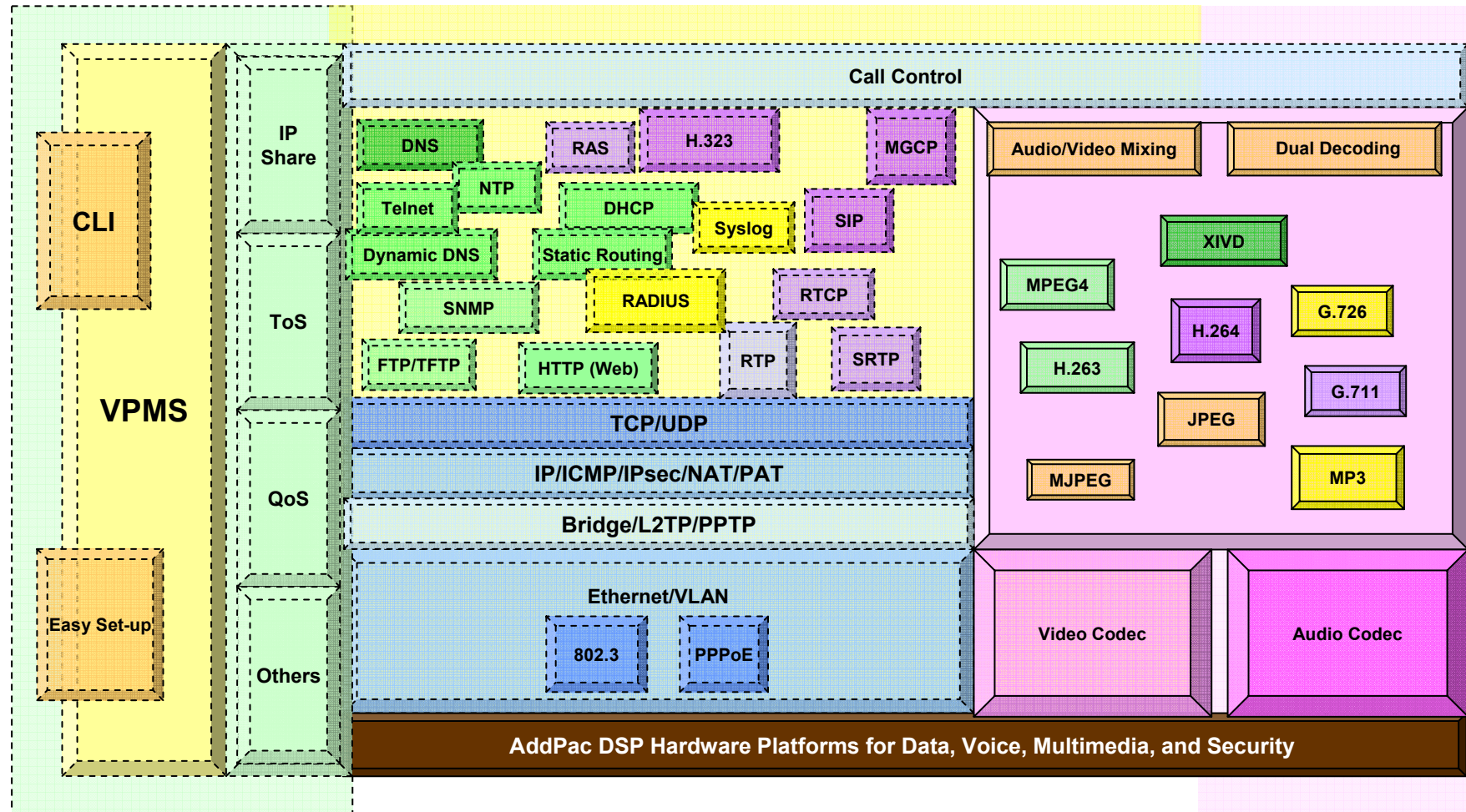
## APOSd Solution

**AddPac**

- **APOSd Overview**
- **APOSd Software Service**
- **Video Codec Features & Service**
  - H.263, MPEG-4, H.264, JPEG, MJPEG etc
- **Audio & Voice Codec Features and Service**
  - MP3, G.711, G.726, etc
- **AV Mixing Features for MCU Application**
  - Simplified AV Mixing Model
  - Advanced AV Mixing Model
- **Dual Video Decoder, Single Encoder Service**
- **Single Source, Dual Video Encoding Feature & Service**
- **Network Service and Features**
- **OSD Software Features**

# APOSd Overview

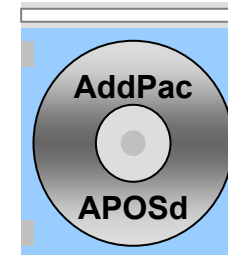
**AddPac**



# APOSd Software Service

**AddPac**

- **Built-in AddPac APOSd Internetworking Software**
  - Scalability, Functionality, and Stability Features
  - Video Traffic QoS Control
- **Programmable Video, Audio, and Voice Services**
  - Video Codes, Audio, and Voice Codec
- **Firmware Upgradeable DSP Architecture**
- **OSD (On-screen Display) Function Support**
- **Industry Standard IP based Network Protocol Features**



# Video Codec Features & Service

**AddPac**

## H.263 Video Codec

- **Baseline H.263**
- **Half Pixel Motion Estimation**
- **Variable Size Support**
  - QCIF(176x144), CIF(352x288), QVGA(320x240)
- **Advanced Rate Control**
  - 32kbps ~ 4Mbps , 1frame ~ 30frame
  - VBR / CBR / Hybrid CBR
- **User Control Interface**
  - Frame rate, Picture size, Target rate, Intra refresh interval
- **Motion Detection**
- **Multi Channel Encoding**
- **Multi Channel Decoding**
- **High-end Error Resilient Against Various Packet Error**

# Video Codec Features & Service

**AddPac**

## MPEG-4 Video Codec

- **Simple Profile MPEG4**
- **AC/DC Prediction**
- **Half Pixel Motion Estimation**
- **Variable Size Support**
  - QCIF(176x144), CIF(352x288), QVGA(320x240), and VGA(640x480), HVGA(640x240)
- **Advanced Rate Control**
  - 32kbps ~ 4Mbps , 1frame ~ 30frame
  - VBR / CBR / Hybrid CBR
- **User Control Interface**
  - Frame rate, Picture size, Target rate, Intra refresh interval
- **Motion Detection**
- **Multi Channel Encoding**
- **Multi Channel Decoding**
- **High-end Error Resilient Against Various Packet Error**

# Video Codec Features & Service

**AddPac**

## H.264 Video Codec

- **Baseline Profile**
- **All 9-Direction Intra-Prediction Modes with 4x4 Block Size**
- **Integer Pel Motion Estimation with 16x16 Block Size**
- **CAVLC (Context-Adaptive Variable Length Coding)**
- **In-Loop Deblock Filter**
- **Variable Size Support**
  - QCIF(176x144), CIF(352x288), QVGA(320x240) : Encoder/Decoder
  - VGA(640x480), HVGA(640x240) : Decoder Only
- **Advanced Rate Control**
  - 32kbps ~ 4Mbps , 1frame ~ 30frame
  - VBR / CBR / Hybrid CBR
- **User Control Interface**
  - Frame rate, Picture size, Target rate, Intra refresh interval
- **High-end Error Resilient Against Various Packet**

# Video Codec Features & Service

**AddPac**

## JPEG/M-JPEG Video Codec

- **Variable Size Support**



# Audio & Voice Service and Features

**AddPac**

## MP3 Audio Codec

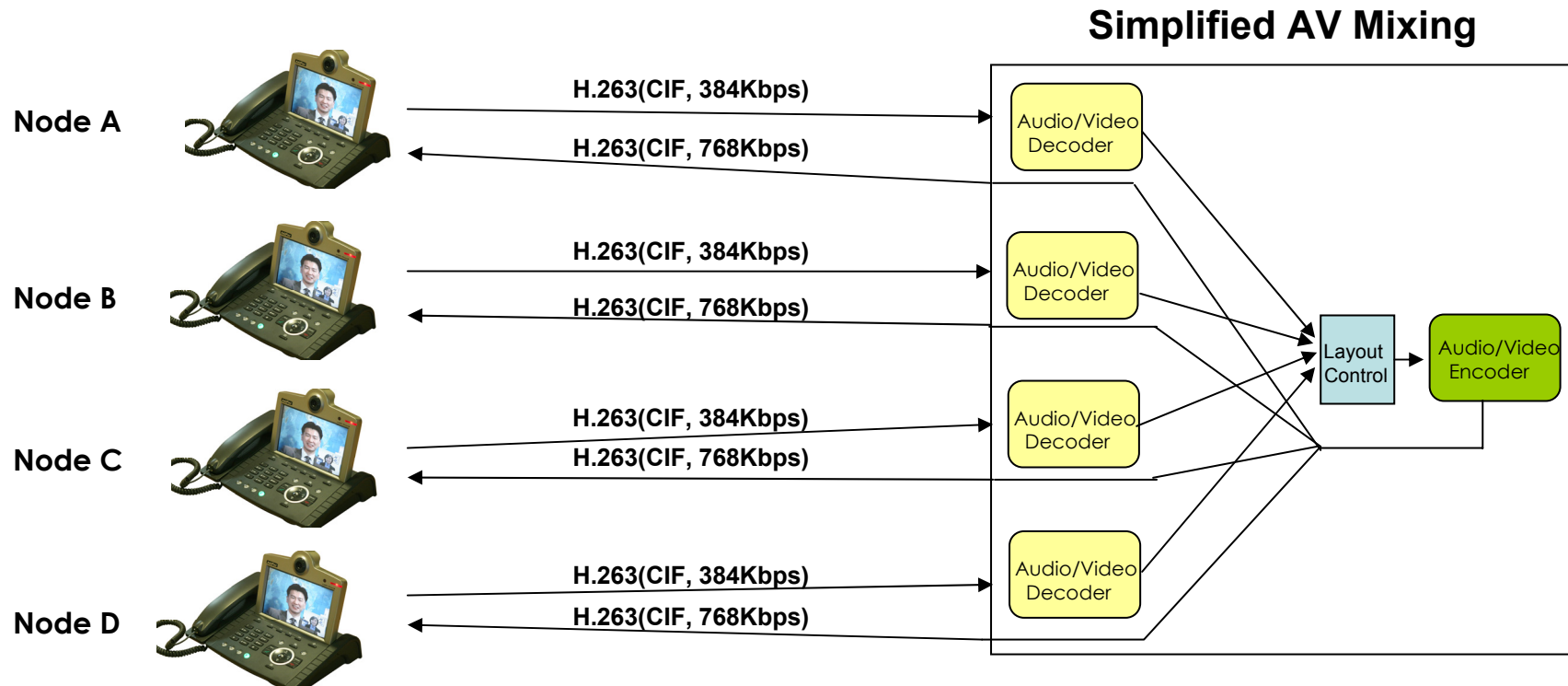
- **MPEG1 / MPEG2 layer-3(LSF) encoding support**
- **MPEG1 / MPEG2 layer-2, 3 decoding support**
- **Bit rates support**
  - 32kbps ~ 192kbps
  - CBR
- **Sampling rates support**
  - 16kHz, 22.05kHz, 24kHz (for MPEG2 Isf)
  - 32kHz, 44.1kHz, 48kHz
- **Joint-stereo, stereo, mono Channel mode**
- **Apply Psycho-acoustic model II**

# AV Mixing Feature for MCU App.

**AddPac**

## Simplified Audio/Video Mixing Model

- **Single Codec : H.263 or MPEG4**
- **Single Rate Control**
- **Asymmetric Rate Control between Encoder & Decoder**
- **Same Conference Layout for All Party**

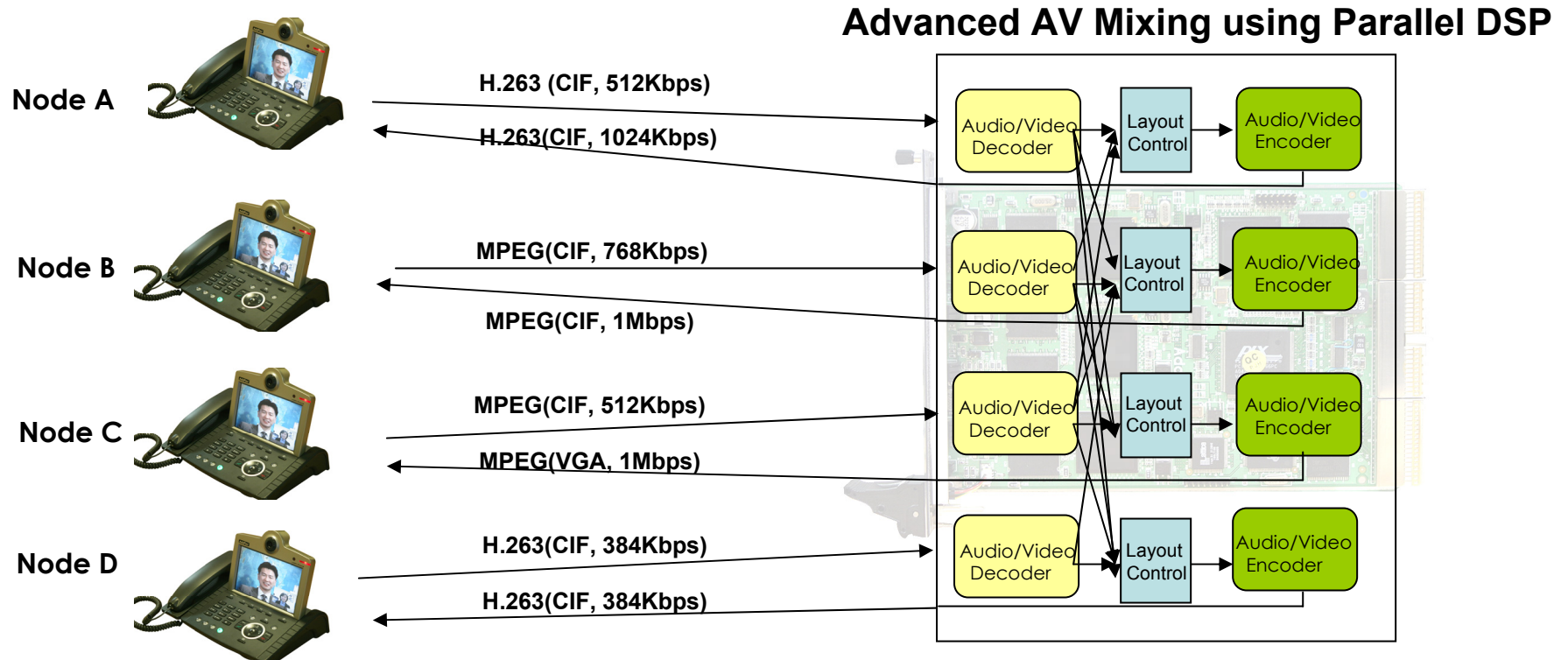


# AV Mixing Feature for MCU App.

**AddPac**

## Advanced Audio/Video Mixing Model

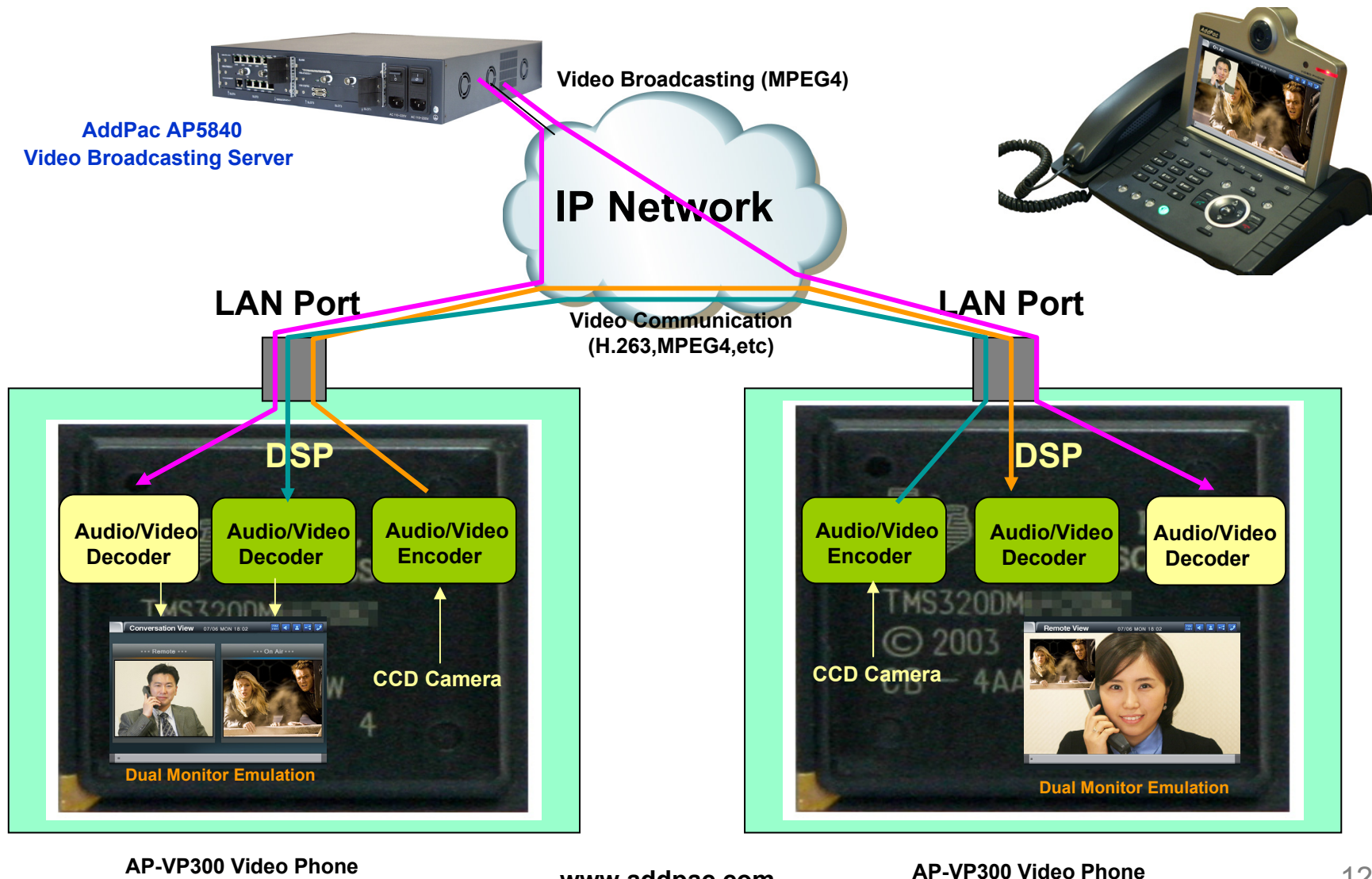
- **Multiple Codec : H.263 and MPEG4**
- **Independent Rate Control**
- **Asymmetric Rate Control Between Encoder & Decoder**
- **Independent Conference Layout Control**



# Dual Decoder & Single Encoder

**AddPac**

Video Broadcasting + Communication Service Model



# Dual Decoder & Single Encoder

**AddPac**

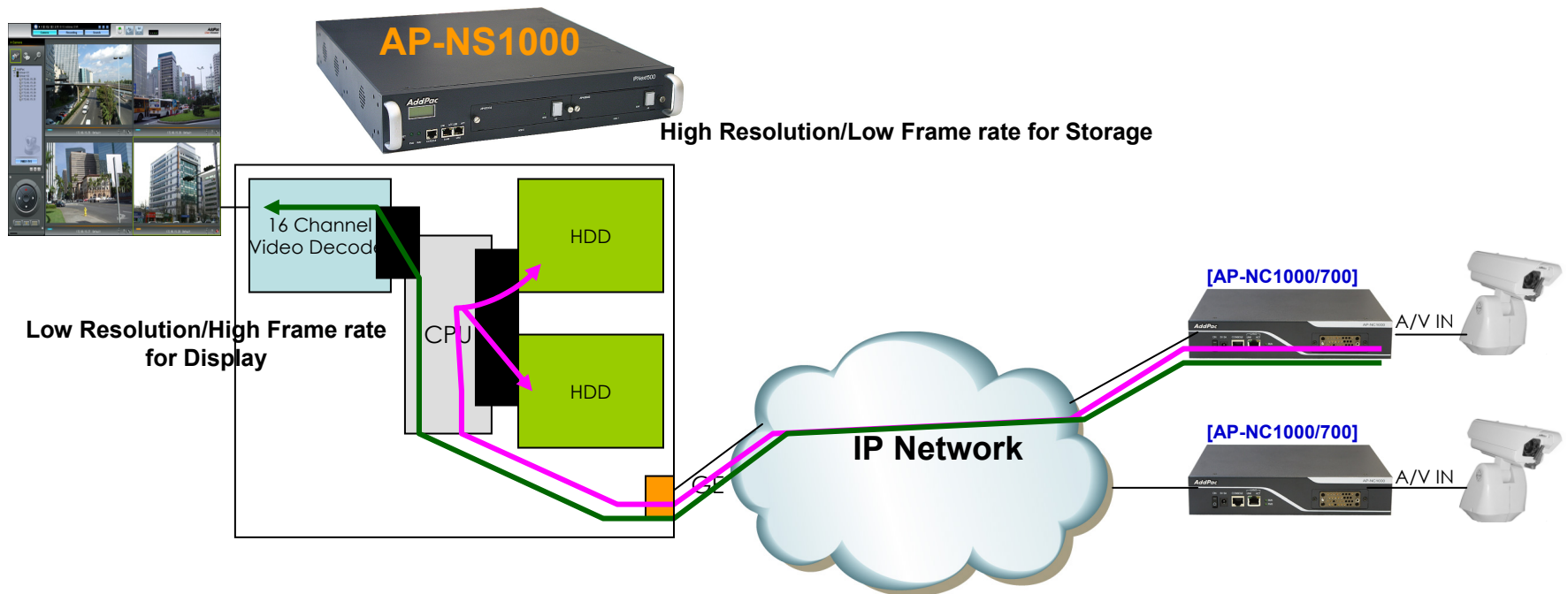
Video Broadcasting + Communication Service Model

- **Video Codec for AV Broadcasting :**
  - MPEG4
- **Audio Codec for AV Broadcasting :**
  - MP3, G.711, G.726, etc
- **Video Codecs for Visual Communication :**
  - H.263, MPEG4, H.264

# Dual Encoding Feature & Service **AddPac**

## Network Camera Service

- **Dual Video Encoding for Network Camera**
  - High Quality, Low Frame Rate for Storage (Ex : VGA, 10Frame)
  - Low Quality, High Frame Rate for Real time Display (Ex: CIF, 30 Frame)
- Video Codec : MPEG4
- Service Architecture



# Network Service and Features

**AddPac**

- **Network Managements**
  - Standard SNMP Agent (MIB v2) Support
  - Remote Management using Console, Telnet
  - Web based Management using HTTP Server Interface
- **Security Functions**
  - Standard & Extended IP Access List
  - Enable/Disable for Specific Network Protocols
  - Multi-level User Account Management
  - Auto-disconnect for Telnet/Console Sessions
  - PPP User Authentication Supports (PAP & CHAP)
- **Operation & Managements**
  - System Performance Analysis for Process, CPU, Connection Interface
  - Debugging, System Auditing, and Diagnostics Support
  - System Booting and Auto-rebooting with Watchdog Feature
  - System Managements with Data Logging
  - IP Traffic Statistics with Accounting

# Network Service and Features

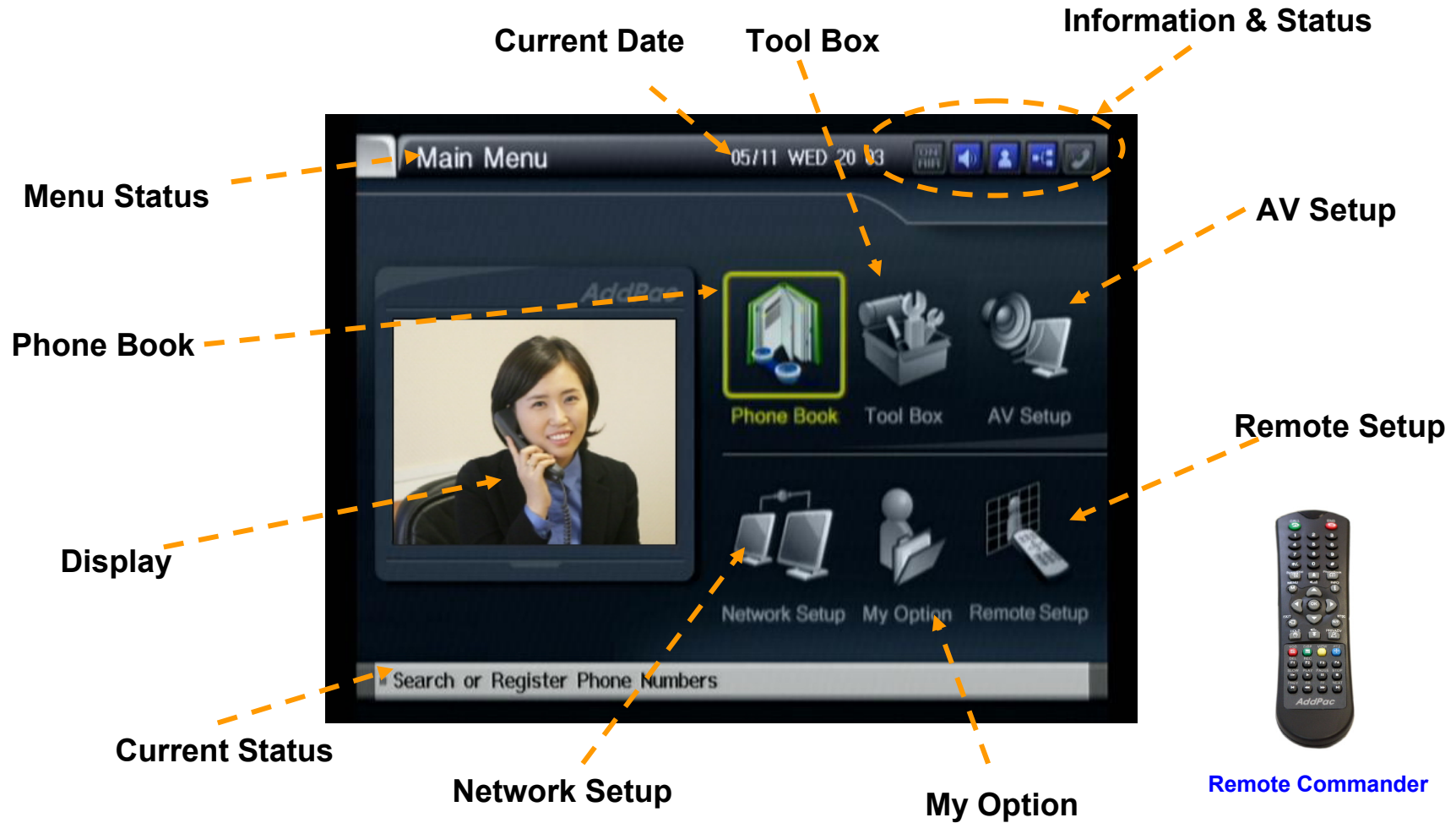
**AddPac**

- **Network Managements**
  - DHCP Server & Relay Functions
  - Network Address Translation (NAT) Function
  - Port Address Translation (PAT) Function
  - Transparent Bridging (IEEE Standard) Function
    - Spanning Tree Bridging Protocol Support
    - Remote Bridging Support
    - Concurrent Routing and Bridging Support
  - Cisco Style Command Line Interface (CLI)
  - Network time Protocol (NTP) Support



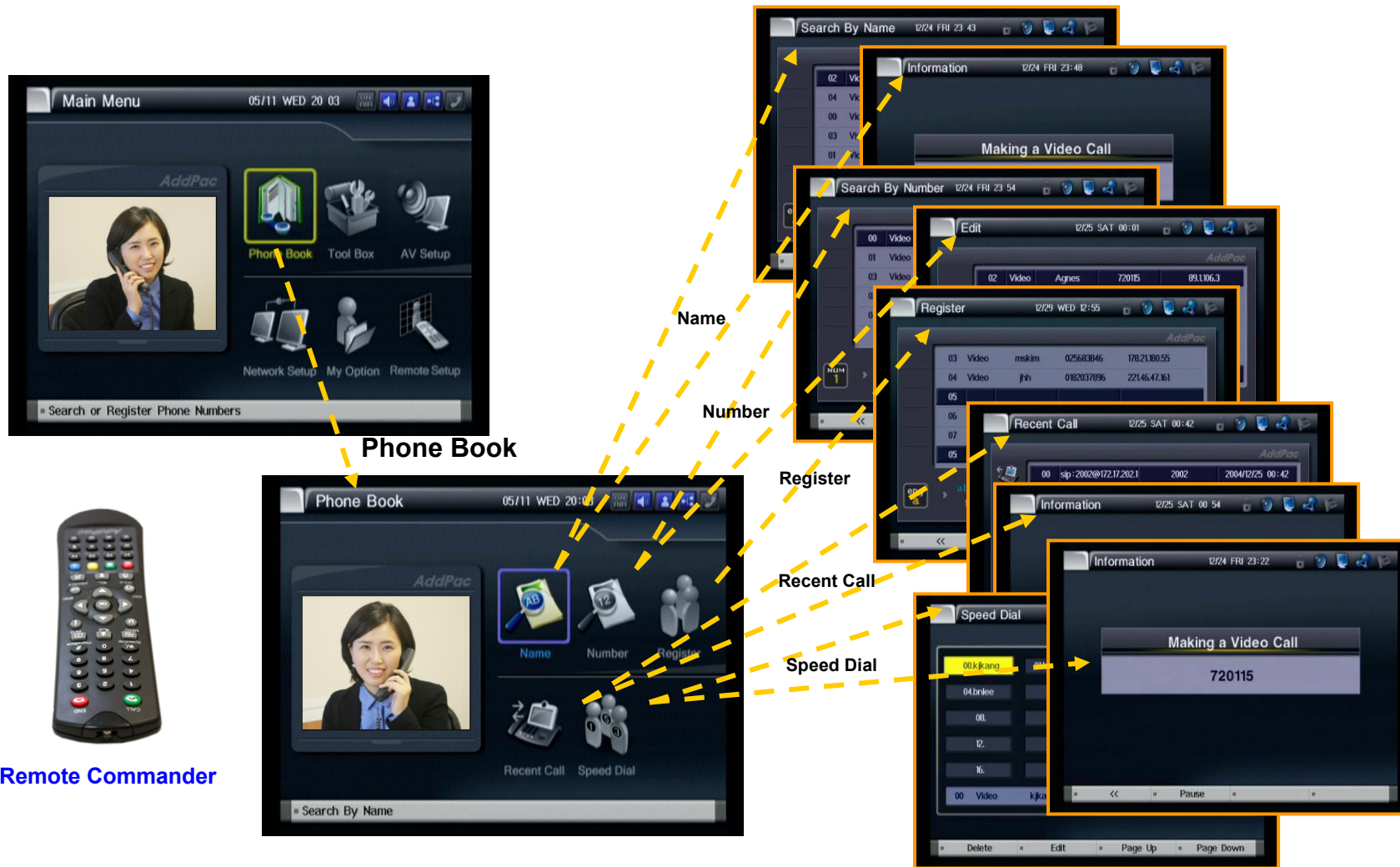
# OSD Software Features

**AddPac**



# OSD Software Features

**AddPac**



# OSD Software Features

**AddPac**



**AV Setup**



**Remote Commander**



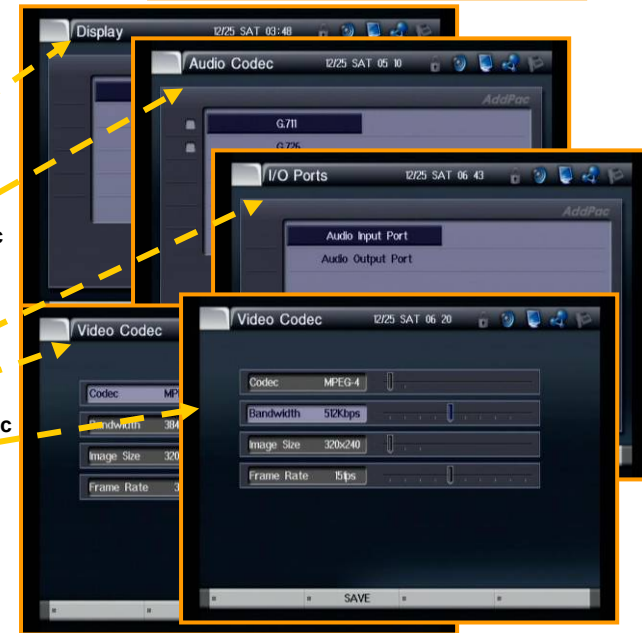
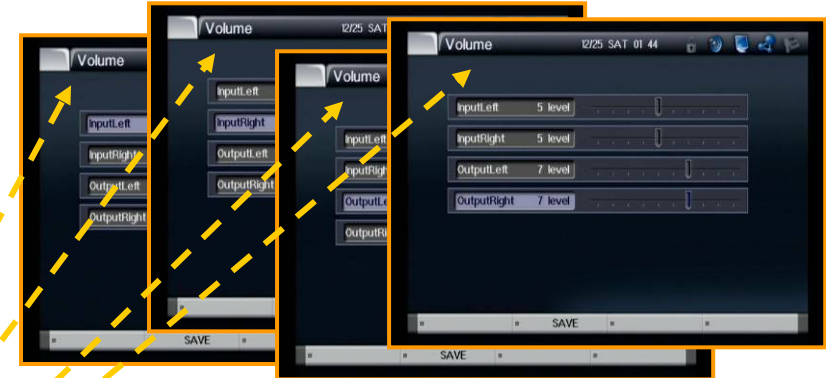
**Volume**

**Display**

**Audio Codec**

**I/O Ports**

**Video Codec**



# OSD Software Features

**AddPac**



# Thank you!

**AddPac Technology Co., Ltd.**  
Sales and Marketing

Phone +82.2.568.3848 (KOREA)

FAX +82.2.568.3847 (KOREA)

E-mail [sales@addpac.com](mailto:sales@addpac.com)