



AP-IP100™

BcN IP Phone

High Performance Broadband Convergence Network
IP Phone Solution

DNS Proxy Features



AddPac

AddPac Technology

2007, Sales and Marketing

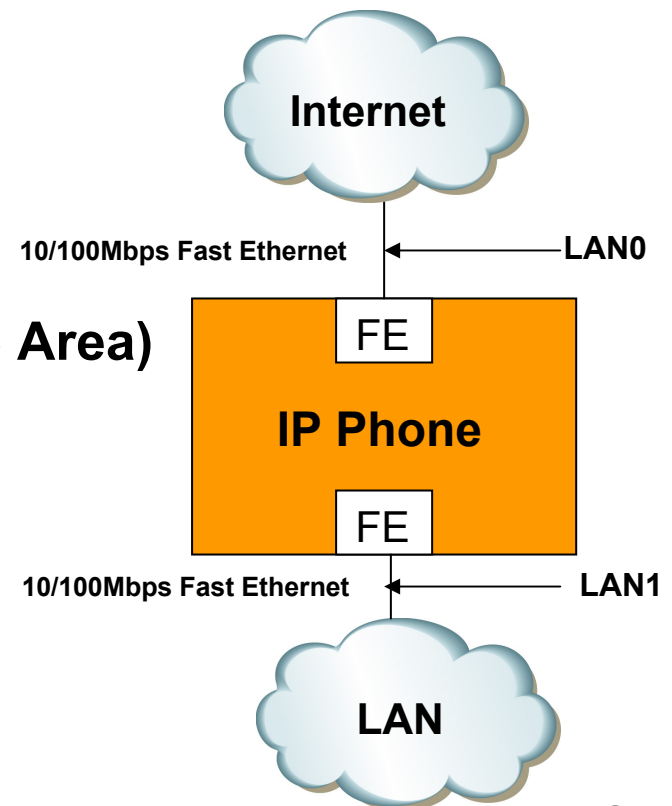
www.addpac.com

Contents

- AP-IP100 H/W Specification
- What is DNSProxy?
- Network Service Diagram
- APOS Commands for DNS Proxy function

AP-IP100 H/W Specification

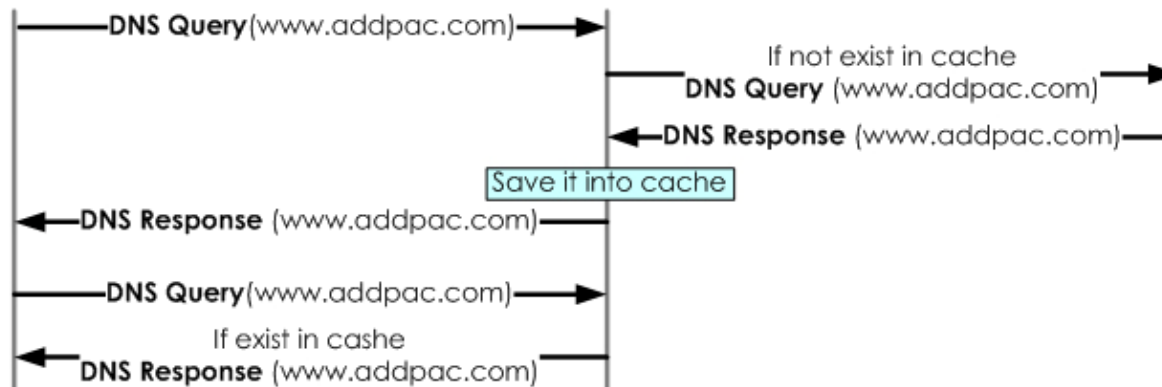
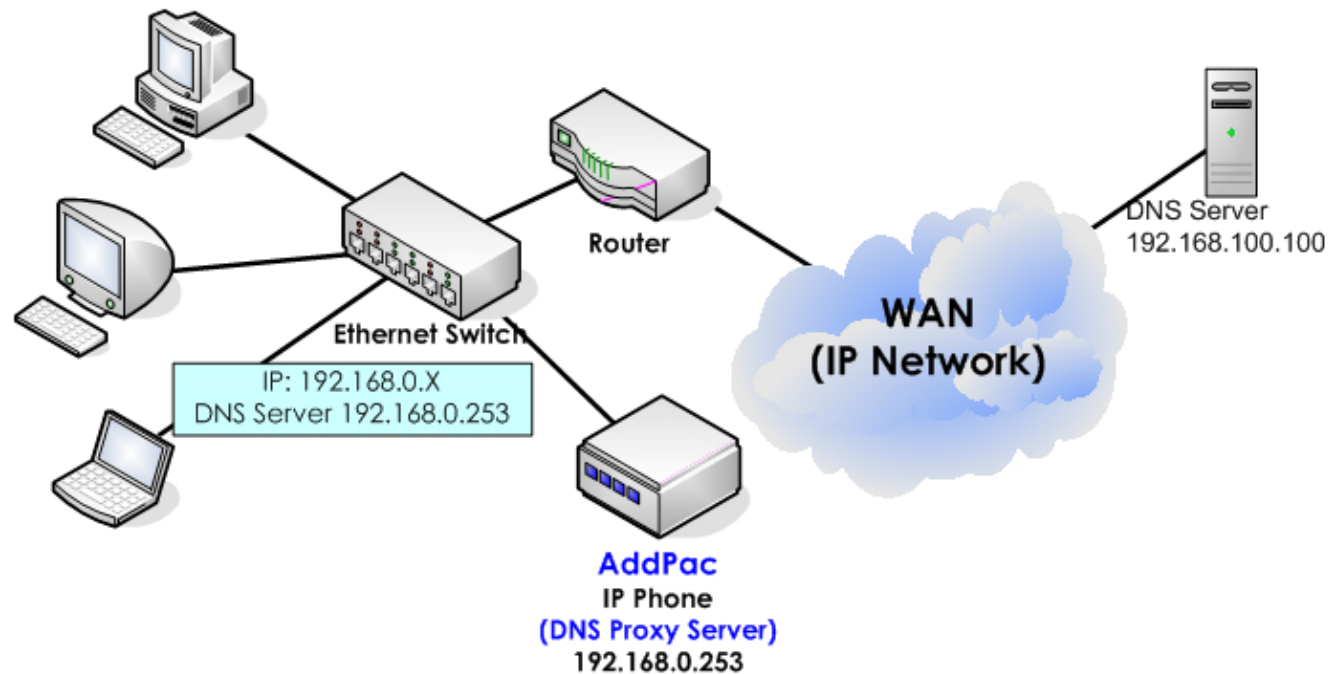
- **RISC+DSP Microprocessor Computing Power (Dual Processor Architecture)**
- **Optional FXO Interface for PSTN Backup : AP-IP100E**
- **Optional FXS Interface for FAX, Phone : AP-IP100B**
- **High quality Audio and Voice Interface**
 - Stereo Audio Input Connector
 - Stereo Audio Output Connector
- **Network Interface**
 - Two(2) 10/100Mbps Fast Ethernet
- **LCD Window : 66.54mm x 33.26mm(Active Area) Graphic LCD**
- **Power Supply**
 - External Power Adaptor (5V, 2A)



What is DNSProxy ?

- **DNSProxy Server recognize the various local character set from Client, and encode the UTF-8(RACE support) format , and then send to DNS server.**
- **DNSProxy Server is existed between Local Client (PC) and DNS Server**
- **Local Client Domain Name Query to DNSProxy Server and If DNS Proxy Server don't have a Enquired Domain Name (Cache missing), DNSProxy Server this Domain Name Query to DNS Server and Relay to Original Local Client.**
- **DNSProxy listen to Well-Known UDP Port(53) to receive DNS Query from Client.**

Network Service Diagram



APOS Commands for DNSProxy

DNSProxy Function Enable

Step	Command	Explanation
1	(config)# service dnsproxy	DNSProxy Function Enable

DNSProxy Function Disable

Step	Command	Explanation
1	(config)# no service dnsproxy	DNSProxy Function Disable

IP Phone Series

Thank you!

AddPac Technology Co., Ltd.
Sales and Marketing

Phone +82.2.568.3848 (KOREA)

FAX +82.2.568.3847 (KOREA)

E-mail sales@addpac.com