



# AP700P™

## VoIP Gateway Series

High Performance VoIP Gateway Solution

### Pulse Dialing Mode



# **AddPac**

**AddPac Technology**

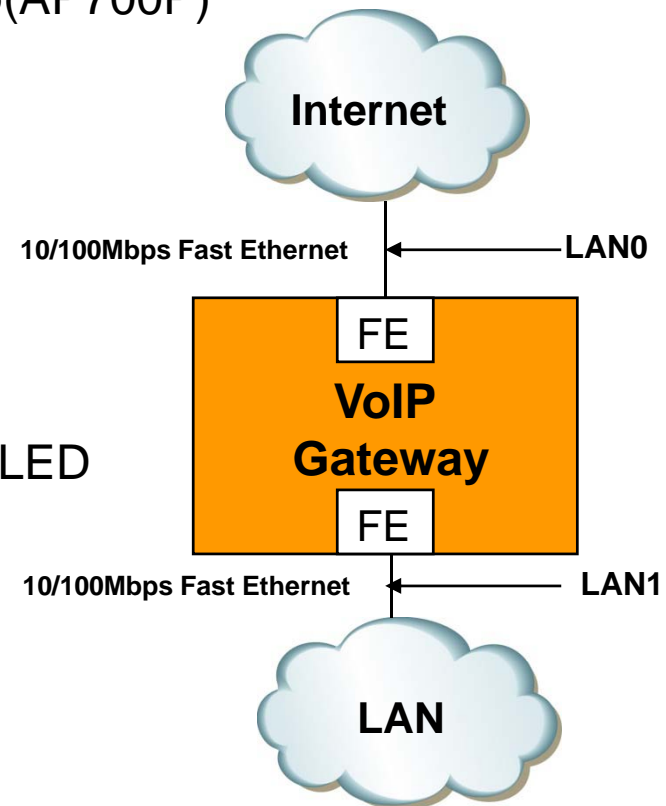
2011, Sales and Marketing

# Contents

- Hardware Specification
- AP700P Hardware Block Diagram
- Pulse Dialing Waveform
- Smart Web Manager Configuration for Pulse Dialing Mode

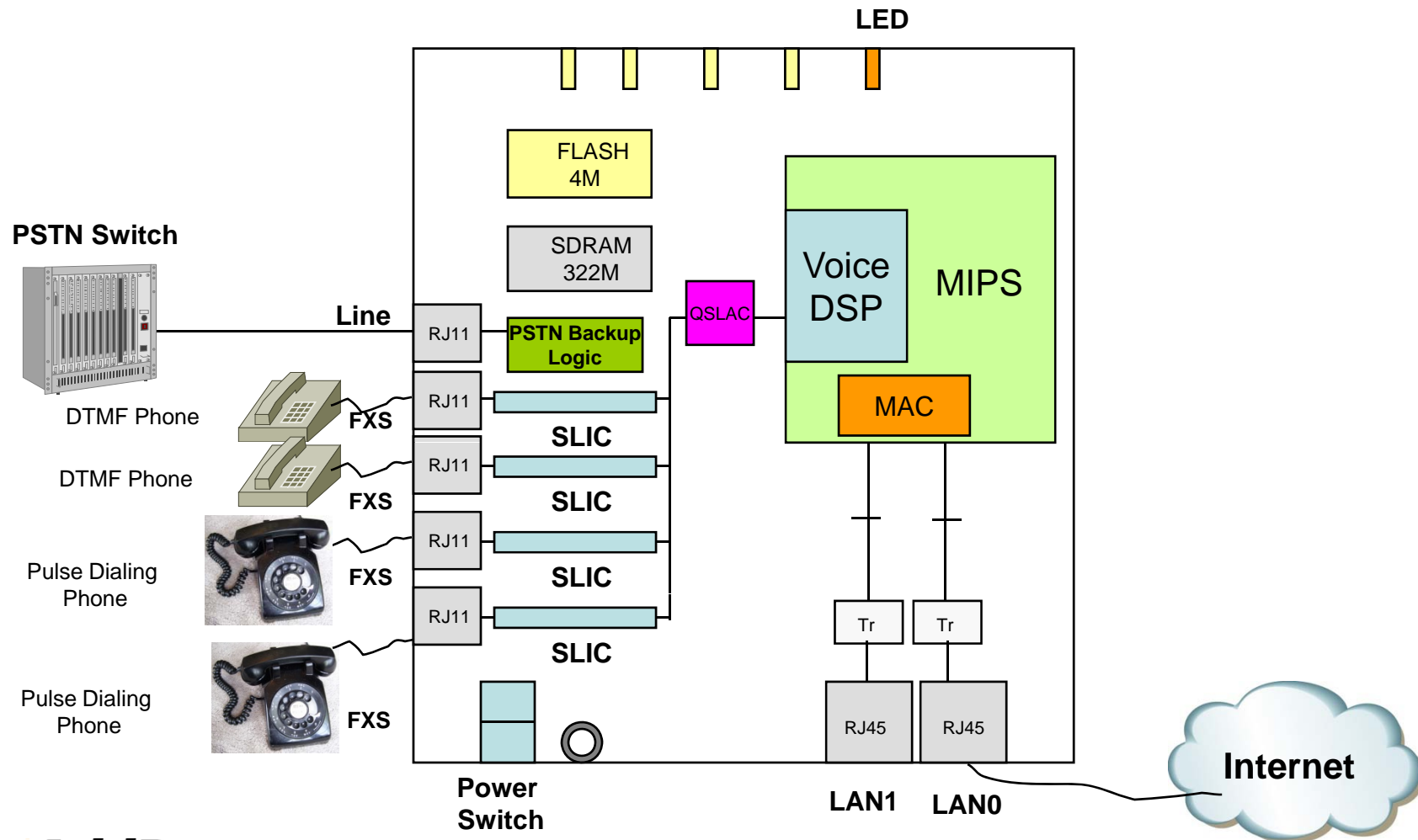
# Hardware Specification

- RISC Microprocessor Computing Power + High End Programmable DSP
- VoIP FXS Port
  - 4-Port FXS Interface with PSTN Backup(AP700P)
- Network Interface
  - Two(2) 10/100Mbps Fast Ethernet
- Power Supply
  - External Power Adaptor(5V, 3A)
  - Power ON/OFF Switch
- Status LEDs
  - Power LED, LAN0/LAN1 LED, FXS Act LED

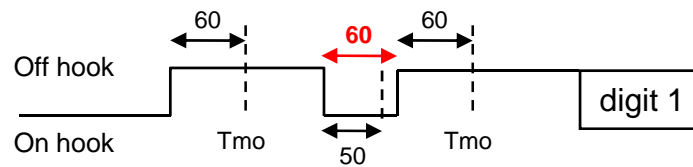


# Hardware Logical Diagram (AP700P)

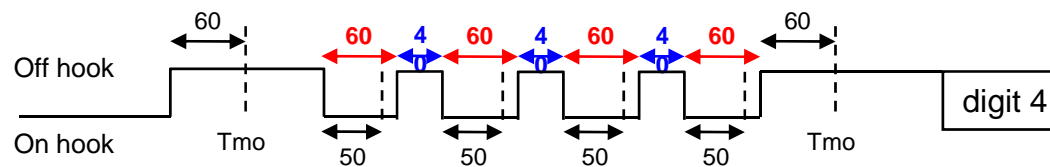
## AP700P VoIP Gateway



# Pulse Dialing Waveform



TmoOnHook : 50 ms  
TmoOffHook : 60 ms



# Pulse Dialing Mode Configuration

**Port Control**

Port	Port Type	InputGain	OutputGain	Caller ID	Dial Pulse
P0:0	E1	0	0	<input type="checkbox"/>	<input type="checkbox"/>
P0:1	E1	0	0	<input type="checkbox"/>	<input type="checkbox"/>
P1:0	FXS	0	0	<input type="checkbox"/>	<input checked="" type="checkbox"/>
P1:1	FXS	0	0	<input type="checkbox"/>	<input checked="" type="checkbox"/>
P1:2	FXS	0	0	<input type="checkbox"/>	<input type="checkbox"/>
P1:3	FXS	0	0	<input type="checkbox"/>	<input type="checkbox"/>
P1:4	FXO	0	0	<input checked="" type="checkbox"/>	<input type="checkbox"/>
P1:5	FXO	0	0	<input checked="" type="checkbox"/>	<input type="checkbox"/>
P1:6	FXO	0	0	<input type="checkbox"/>	<input type="checkbox"/>
P1:7	FXO	0	0	<input type="checkbox"/>	<input type="checkbox"/>

**Dialing Mode Selection in FXS Port**  
- Dial-pulse mode  
- Tone mode(DTMF mode) - Default



# Thank you!

**AddPac Technology Co., Ltd.**  
Sales and Marketing

Phone +82.2.568.3848 (KOREA)

FAX +82.2.568.3847 (KOREA)

E-mail [sales@addpac.com](mailto:sales@addpac.com)