



AP-GS2000™

Multi-Port GSM Gateway

High Performance GSM Gateway Solution

H/W Design Concept



AddPac

AddPac Technology

2011, Sales and Marketing

Contents

- Product Overview
- Hardware Specification
- AP-N1-GSM4 Module Diagram
- AP-N1-CDMA4 Module Diagram
- AP-N1-GSM4 H/W Block Diagram
- AP-N1-CDMA4 H/W Block Diagram
- 12-Port GSM Service Configuration
- 8-Port GSM + 8-Port FXS Service Configuration
- 12-Port GSM Service Network Diagram

Product Overview

- Three(3) Module Slots for 4-Port GSM Module, 8FXS/8FXO Analog Interface (Up to 12-Port GSM)
- H.323/SIP/MGCP Triple Concurrent Stack Embedded
- High Performance RISC & Programmable DSP Architecture
- G.711/G.726/G.723/G.729, T.38 Fax , VAD, etc
- Powerful Network Protocols (PPPoE, DHCP, Static Routing, etc)
- Two(2)10/100Mbps Fast Ethernet
- One(1) RS-232C Port for Command Line Interface
- Firmware Upgradeable Architecture
- VPMS (VoIP Plug&Play Management System) for Large Scale Deployment
- Advanced Voice QoS Mechanism
- Rack Mountable Chassis with Internal Power Supply

Hardware Specification

RISC
CPU

High-end
DSP

- RISC Microprocessor Computing Power
- Three Module Slot for GSM, Analog Interface
- 4-Port GSM Module(AP-N1-GSM4)
 - 4-Port SIM Card Slot
 - One(1) GSM Antenna Interface (Internal 4 Channel Combiner)
 - Hot-Swap
- VoIP Interface Module
 - 8-Port FXS Module (AP-N1-FXS8)
 - 8-Port FXO Module (AP-N1-FXO8)
 - Hot-Swap
- Network Interface
 - Two(2) 10/100Mbps Fast Ethernet (RJ45)
- RS232C Console Interface for CLI
- Run LED, LAN LED, Port LEDs
- Internal Power Supply

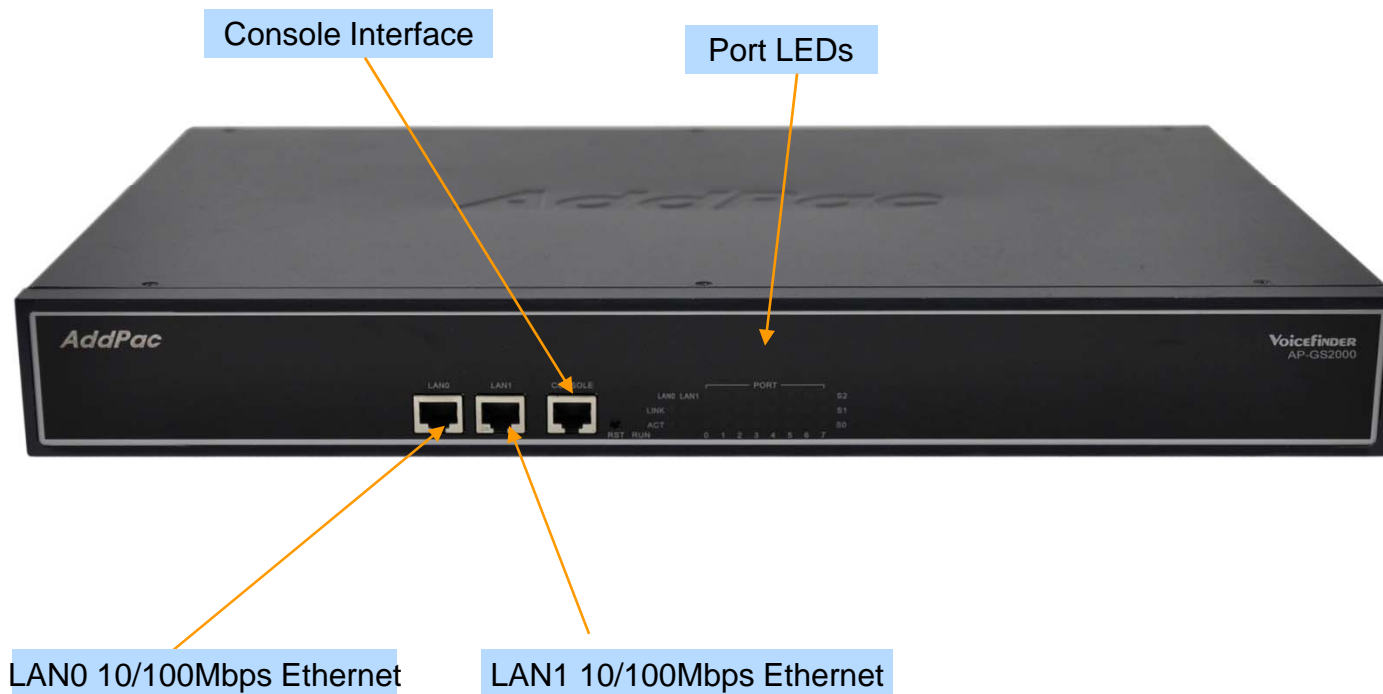


Hardware Specification

RISC
CPU

High-end
DSP

Front Side View

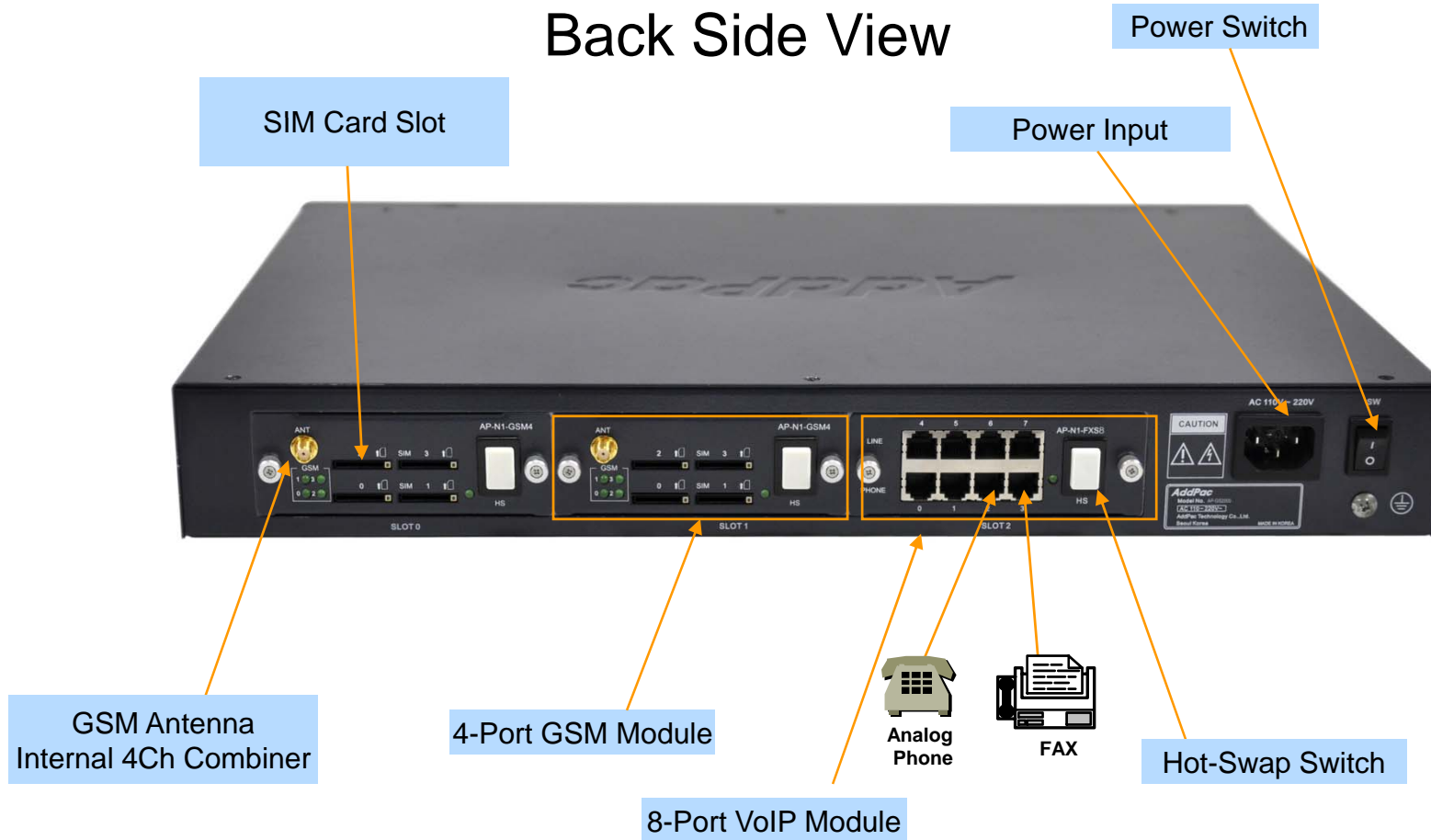


Hardware Specification

RISC
CPU

High-end
DSP

Back Side View

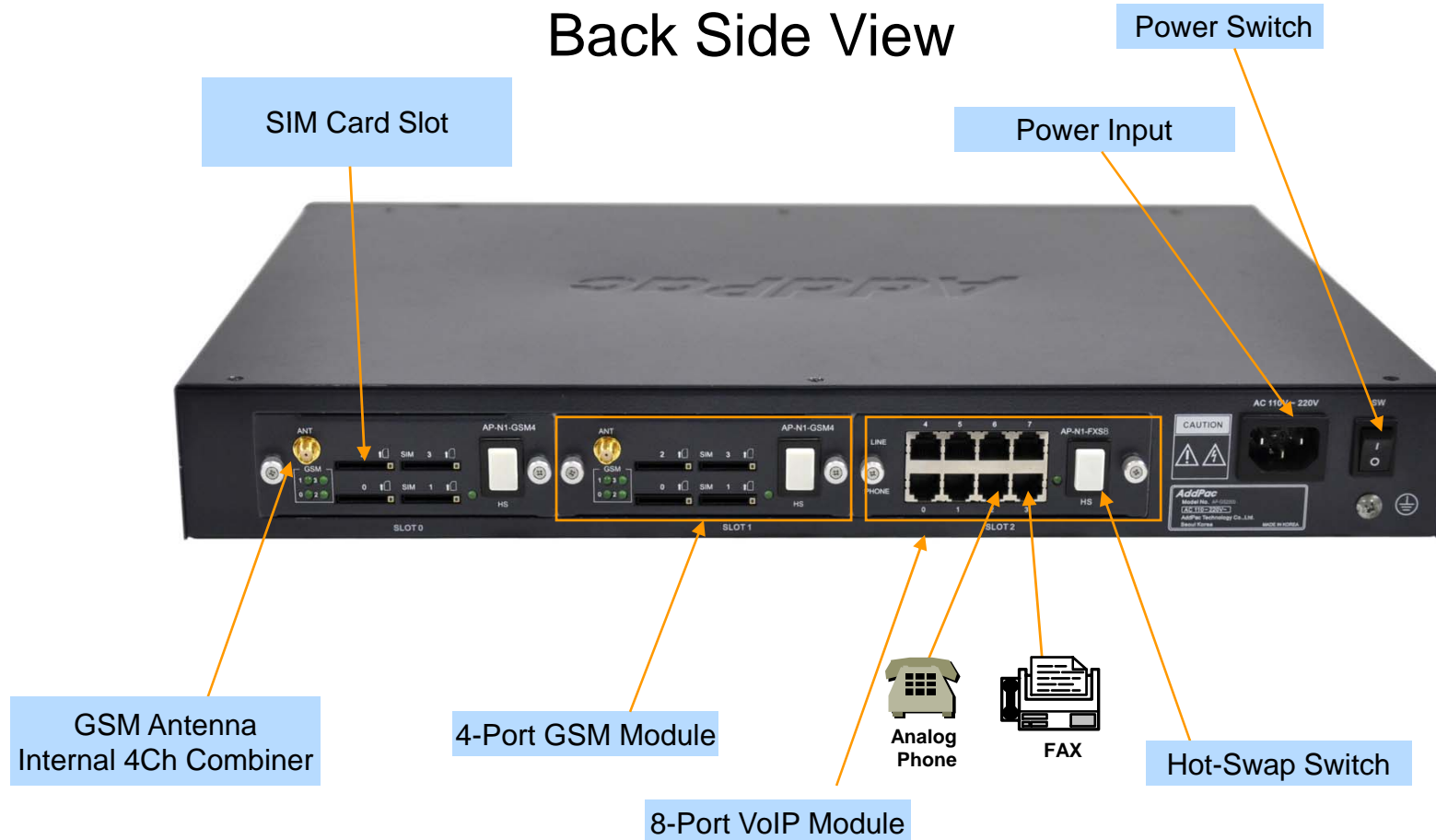


Hardware Specification

RISC
CPU

High-end
DSP

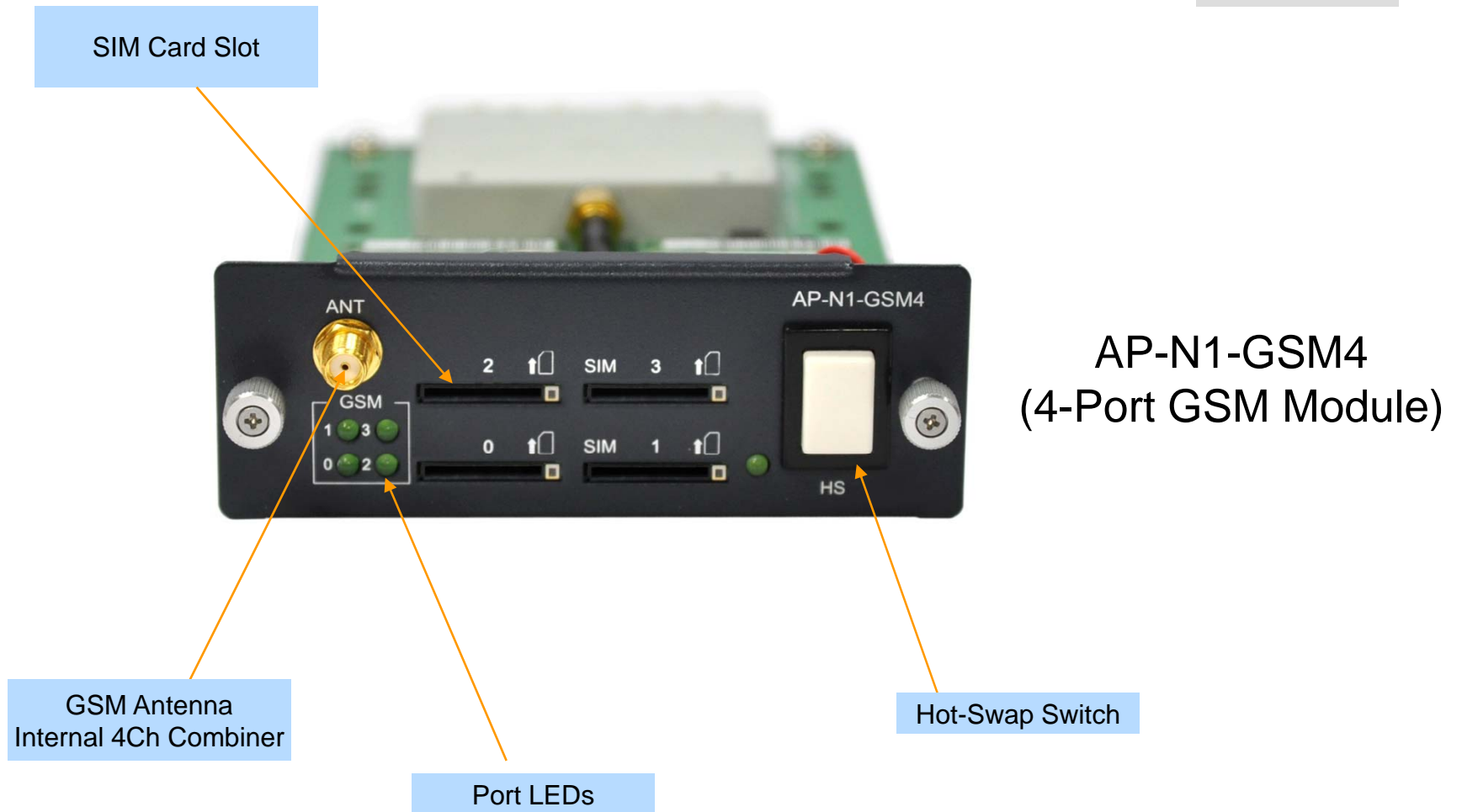
Back Side View



AP-N1-GSM4 Module Diagram

RISC
CPU

High-end
DSP

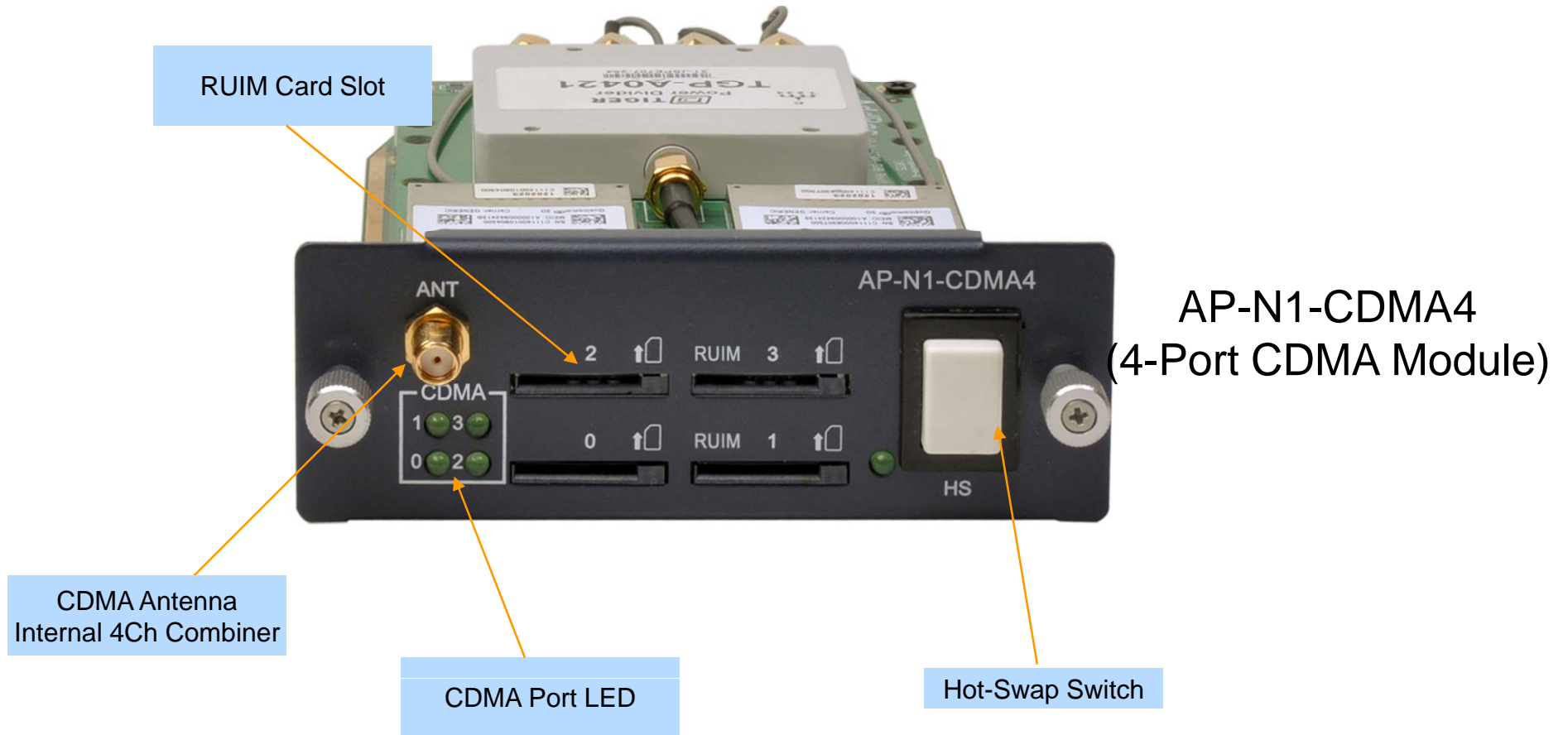


AP-N1-GSM4
(4-Port GSM Module)

AP-N1-CDMA4 Module Diagram

RISC
CPU

High-end
DSP



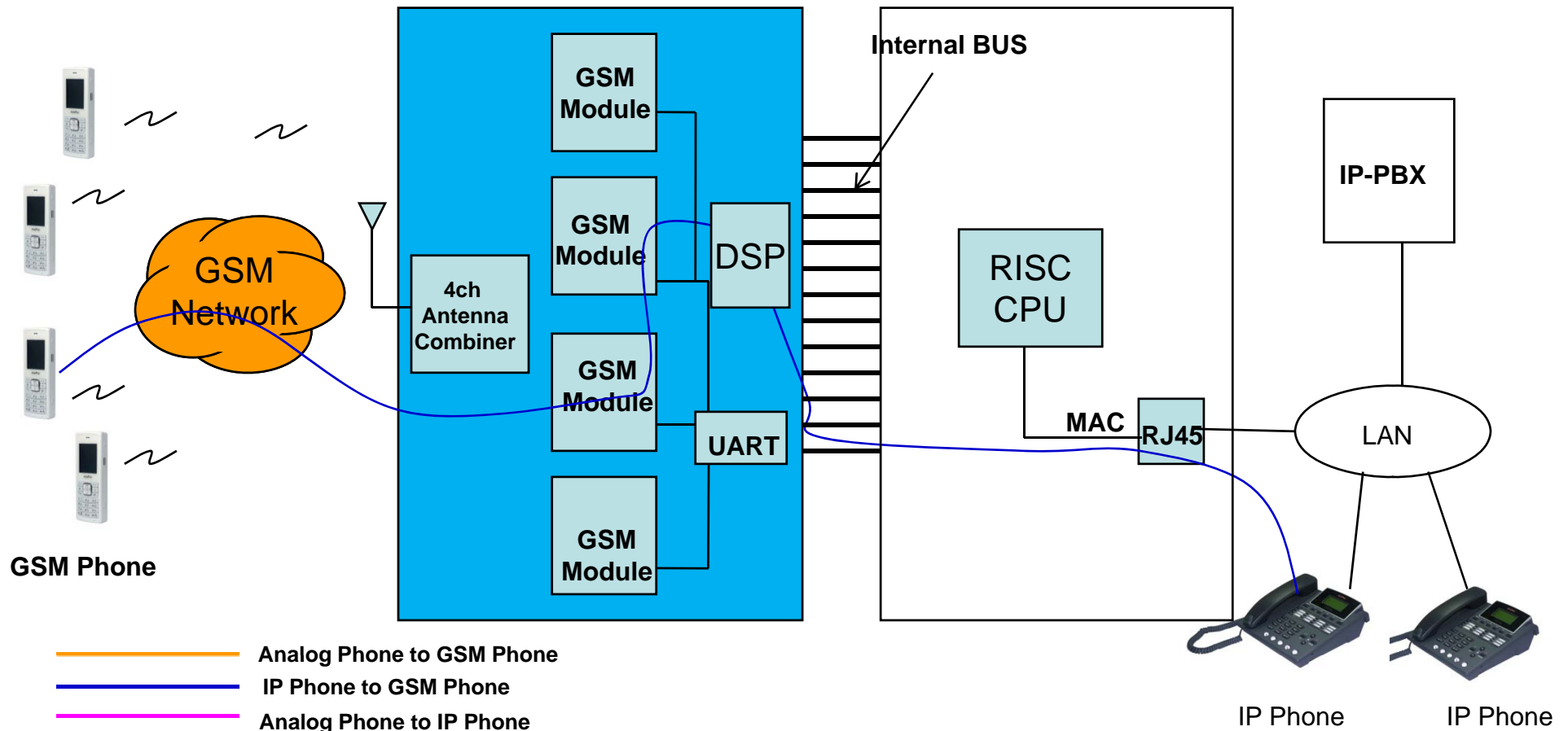
AP-N1-GSM4 H/W Block Diagram

RISC
CPU

High-end
DSP

GSM Gateway Service Diagram

AP-N1-GSM4 4-Port GSM Module Internal H/W Block Diagram



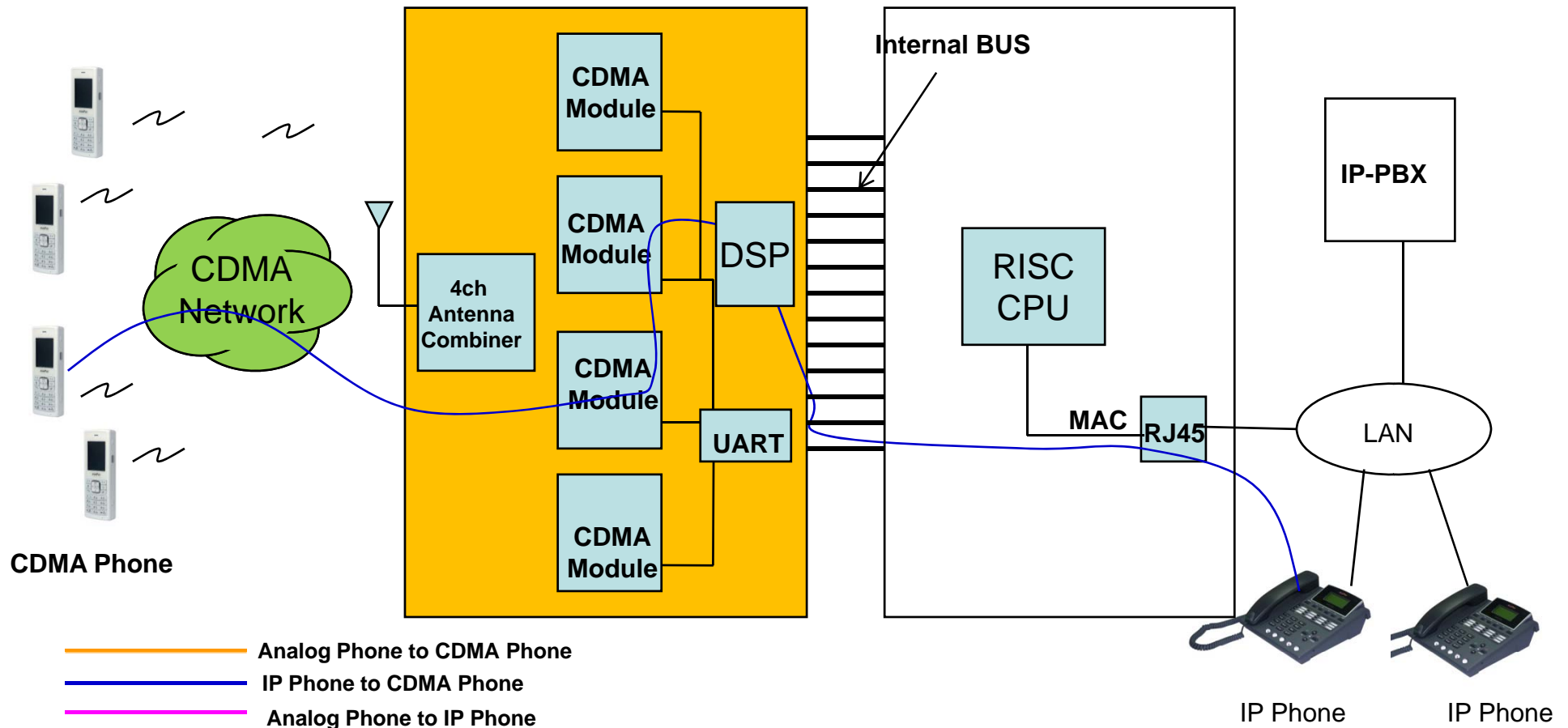
AP-N1-CDMA4 H/W Block Diagram

RISC
CPU

High-end
DSP

CDMA Gateway Service Diagram

AP-N1-CDMA4 4-Port CDMA Module Internal H/W Block Diagram



— Analog Phone to CDMA Phone

— IP Phone to CDMA Phone

— Analog Phone to IP Phone

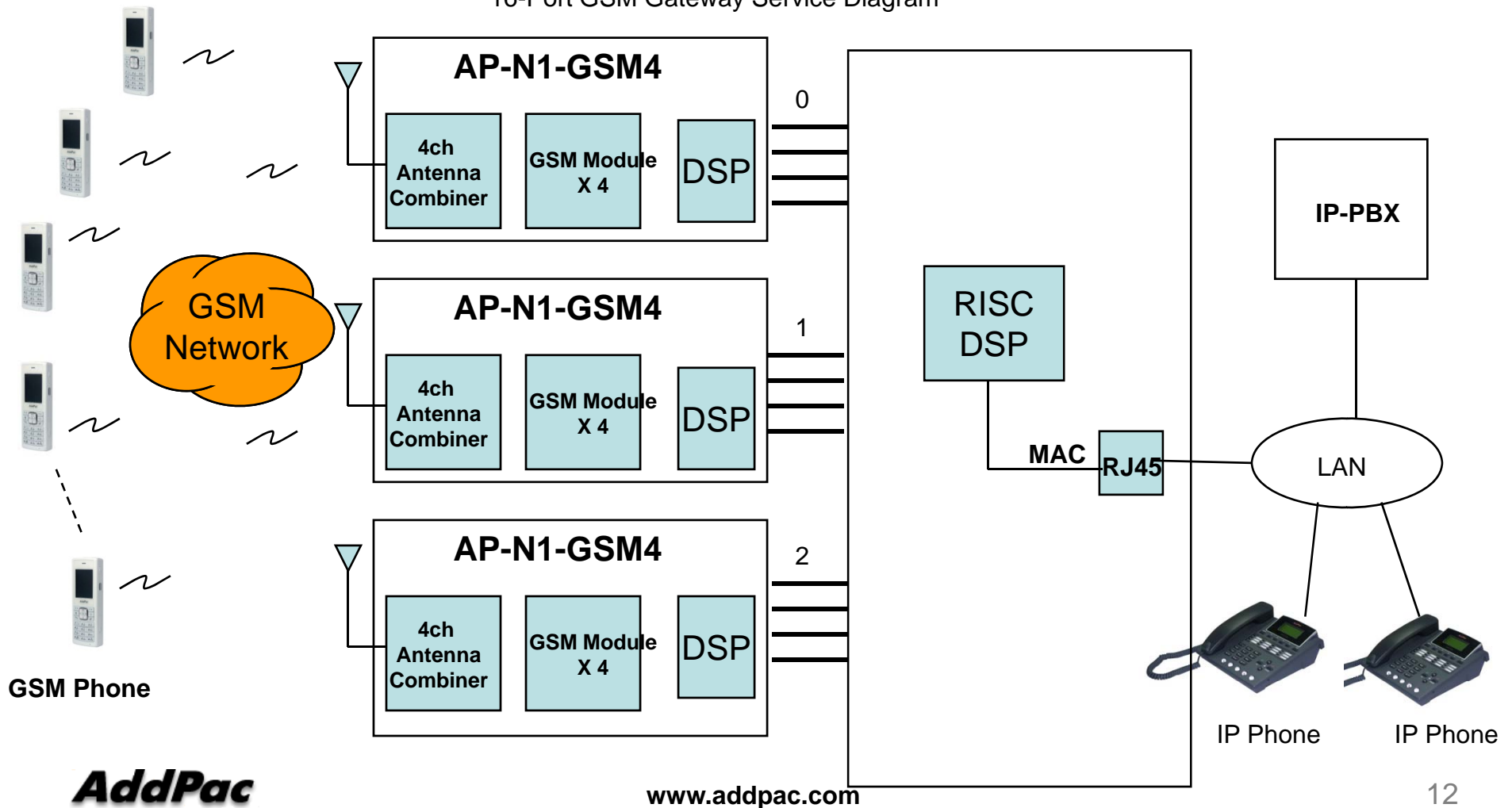
AddPac

www.addpac.com

12-Port GSM Configuration

GSM Gateway Service Diagram

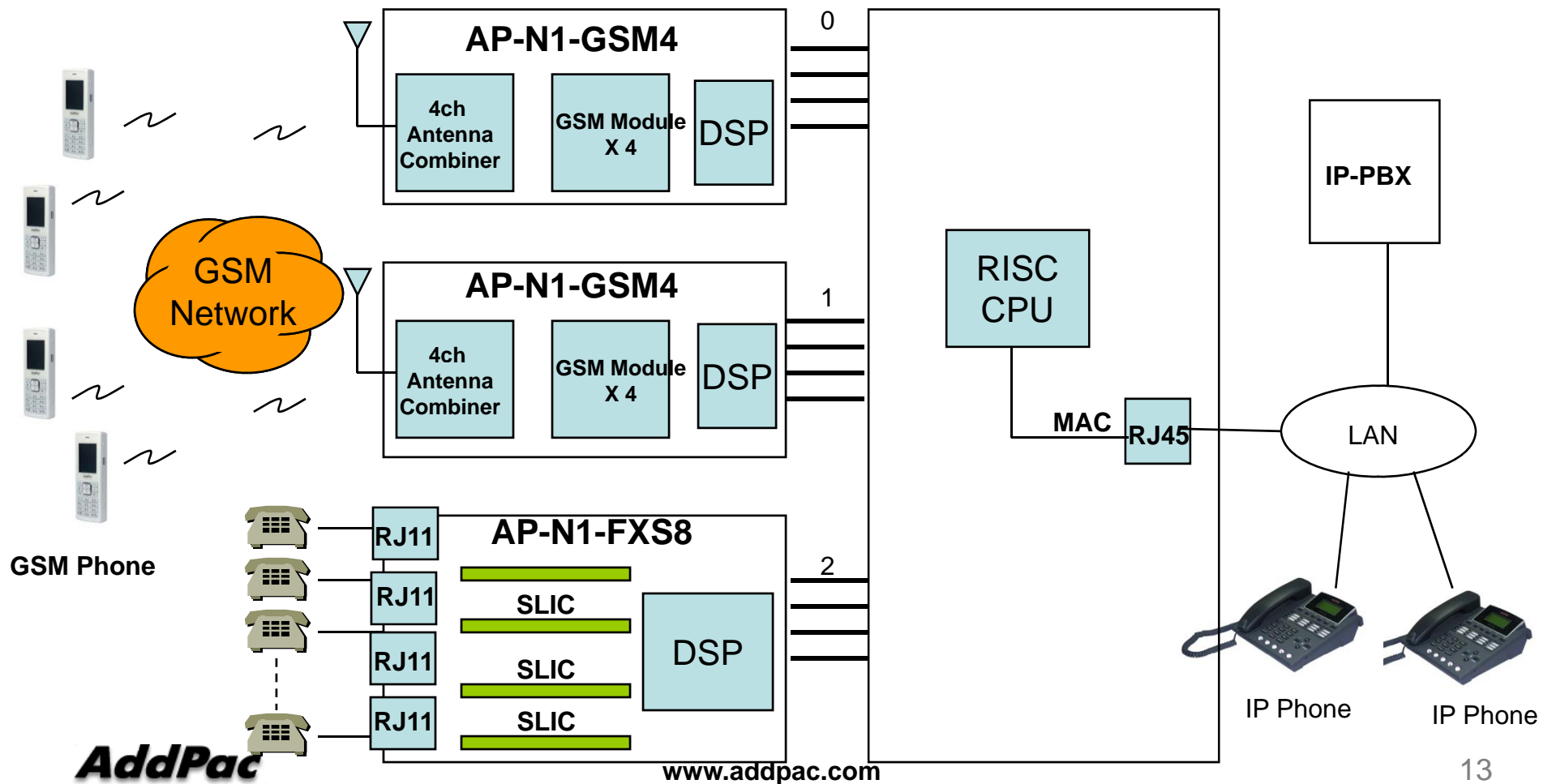
16-Port GSM Gateway Service Diagram



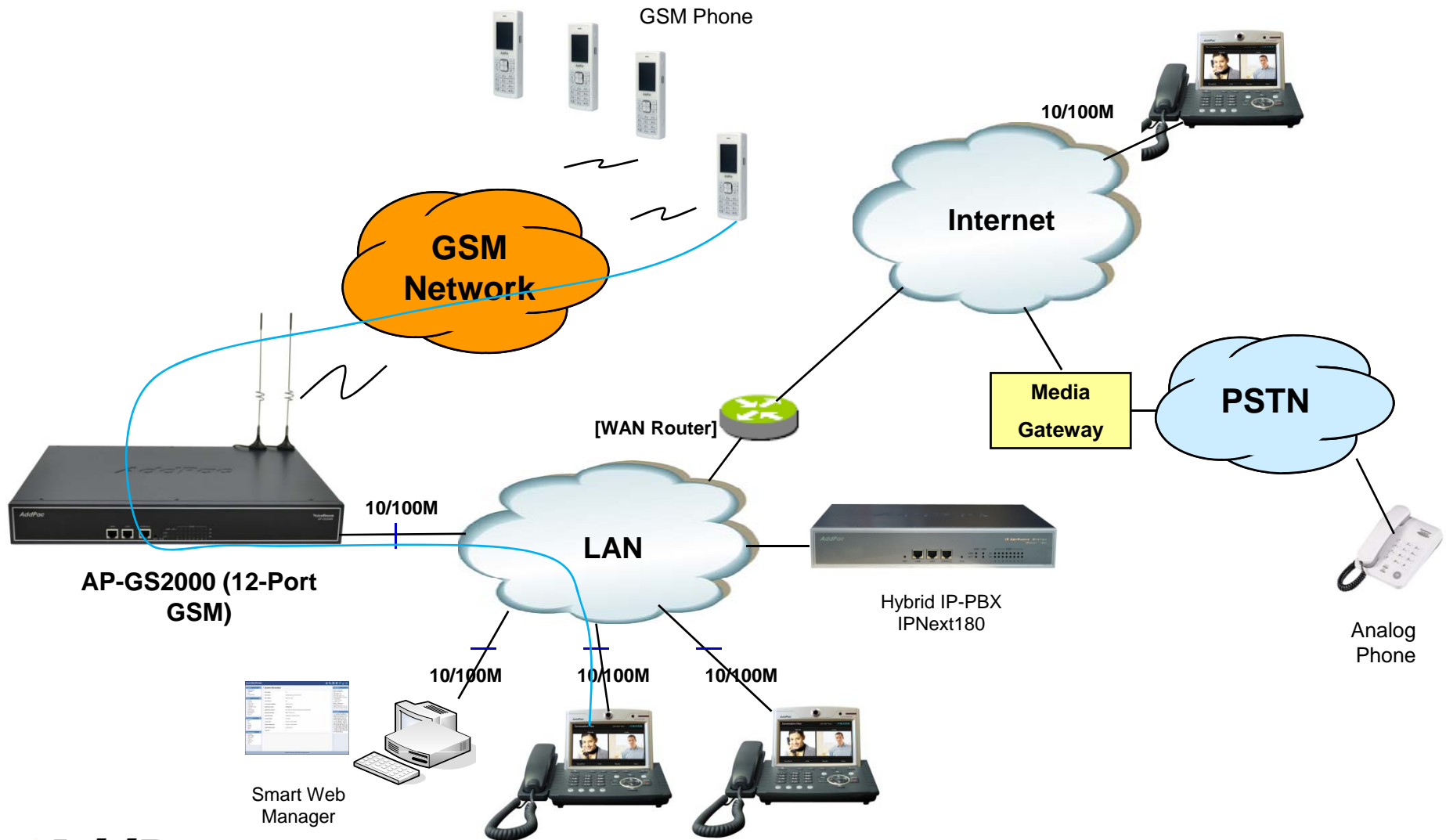
8-Port GSM + 8-Port FXS Configuration

GSM Gateway Service Diagram

8-Port GSM + 8-Port FXS Gateway Service Diagram



Network Service Diagram



GSM Gateway Series

Thank you!

AddPac Technology Co., Ltd.
Sales and Marketing

Phone +82.2.568.3848 (KOREA)

FAX +82.2.568.3847 (KOREA)

E-mail sales@addpac.com