

Circuit Mode Terminal Broadcasting Solution



AddPac

AddPac Technology

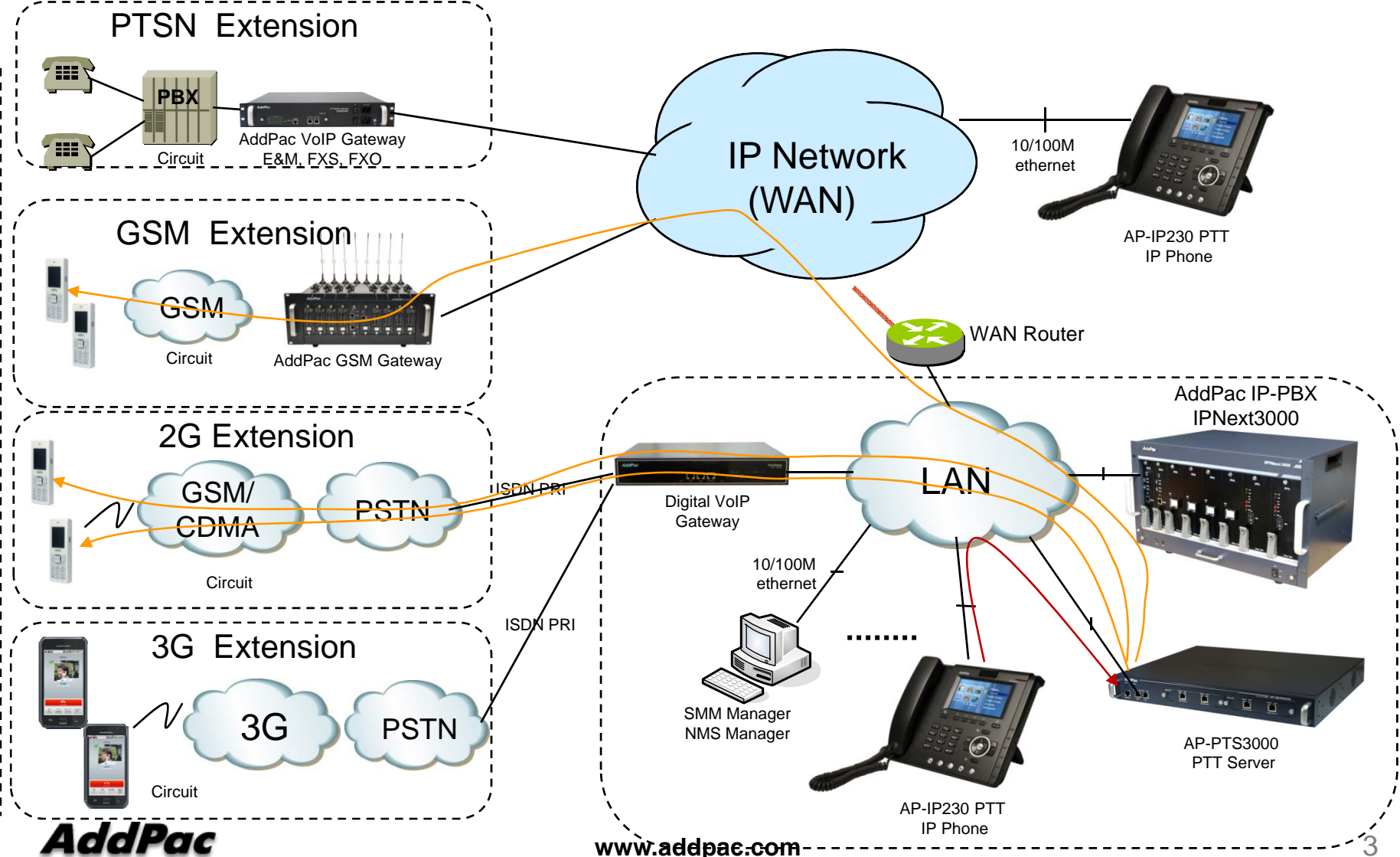
2011, Sales and Marketing

www.addpac.com

Contents

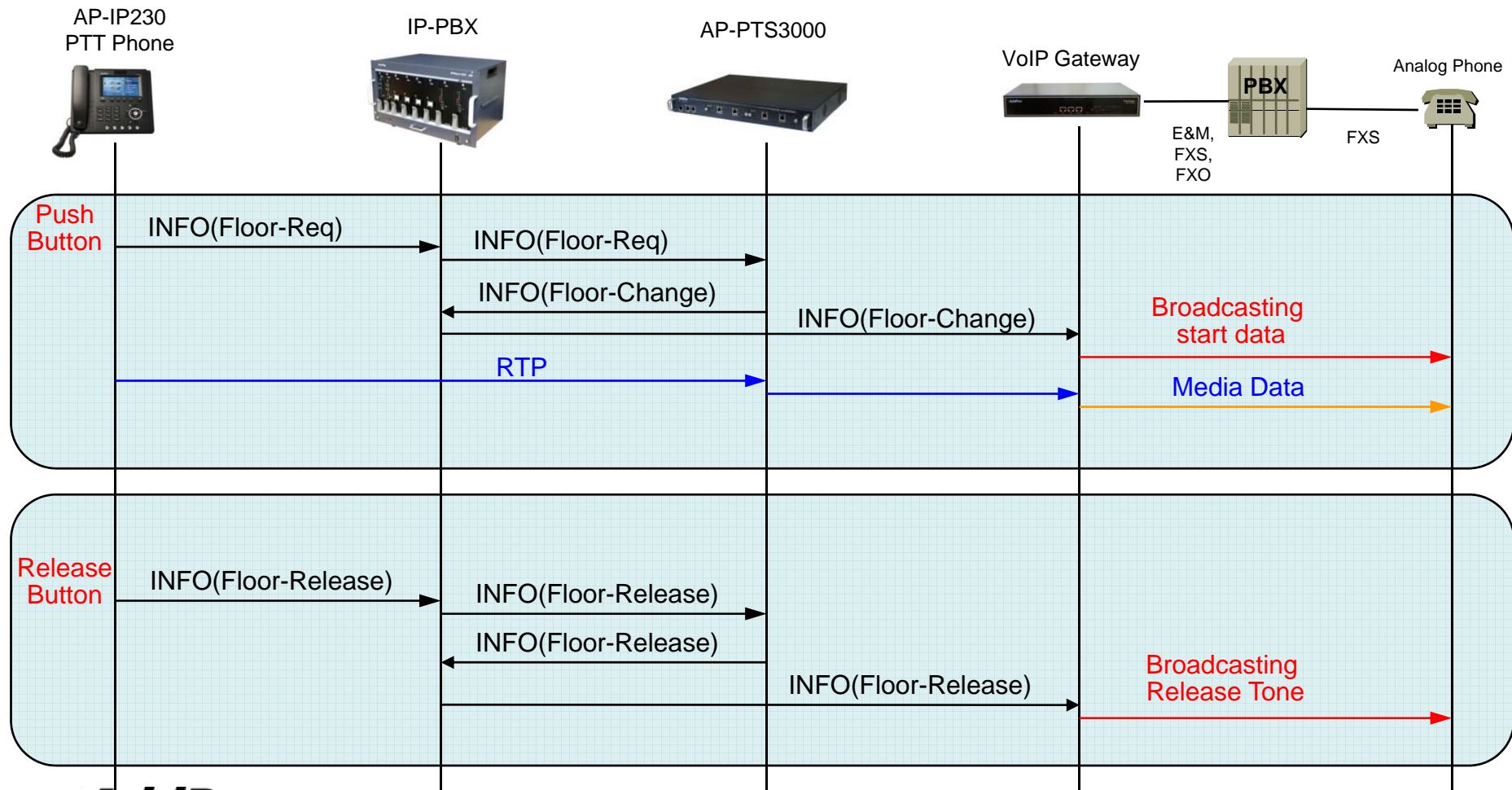
- Circuit Mode Terminal Broadcasting Network Diagram
- Circuit Mode Terminal Broadcasting Message Flow Diagram (example)
 - Analog/Digital Phone Broadcasting
 - AMP. Speaker Direct Broadcasting via AddPac Broadcasting Terminal
 - 2G/3G Mobile Phone Broadcasting via Digital VoIP Gateway
 - 2G/3G Mobile Phone Broadcasting via GSM Gateway
- Circuit Mode Terminal Broadcasting Solution
 - IPNext3000 IP-PBX
 - AP-PTS3000 PTT Server
 - AddPac VoIP Gateway (Digital E1/T1, E&M, FXS, FXO)
 - AP-GS3500 GSM Gateway
 - AP-IP300 IP Phone for PTT Service
 - AP-IP230 IP Phone for PTT Service

Circuit Mode Terminal Broadcasting Network Diagram



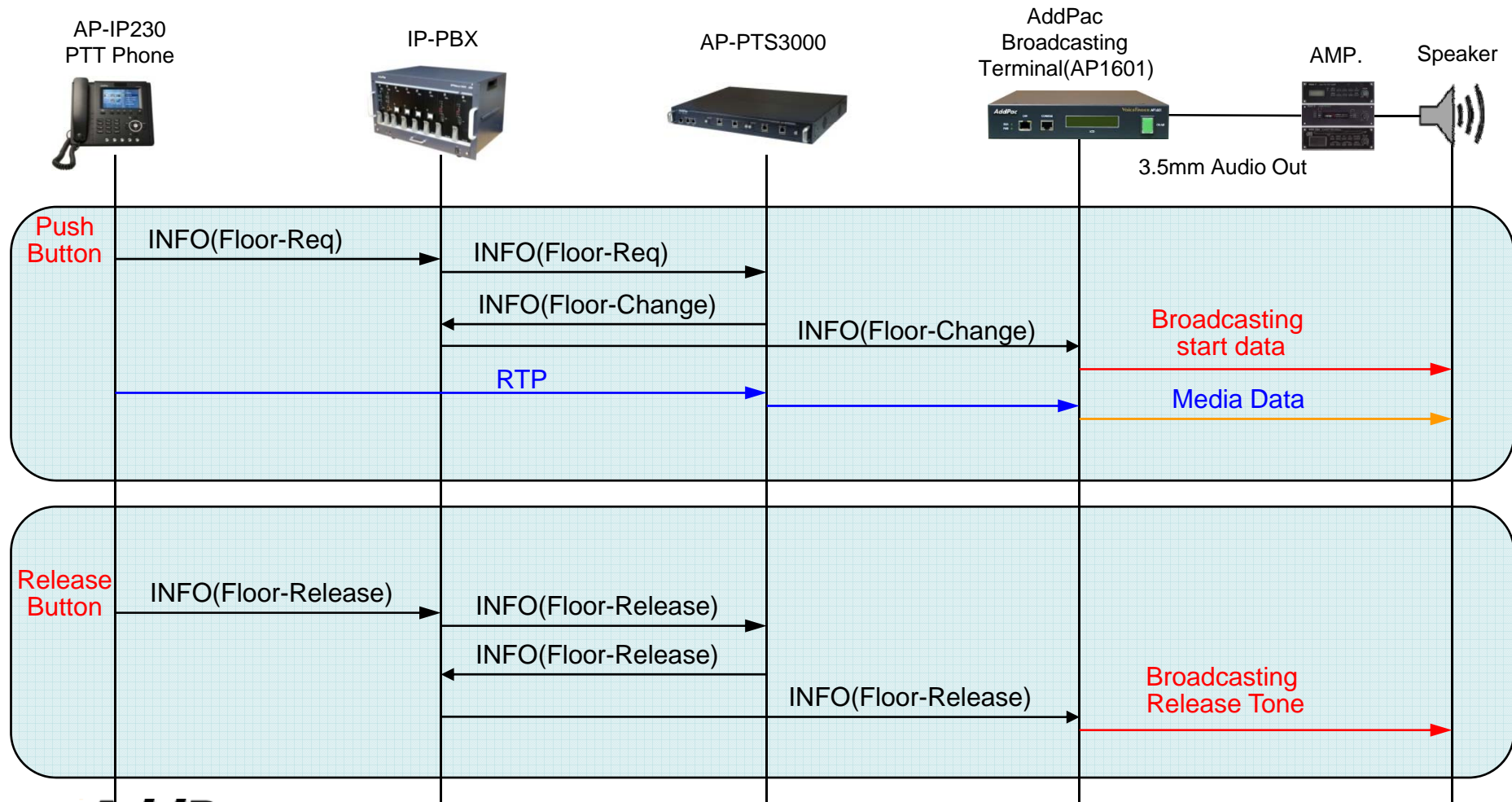
Circuit Mode Terminal Broadcasting Message Flow

Example 1 : Analog Phone Broadcasting via VoIP Gateway



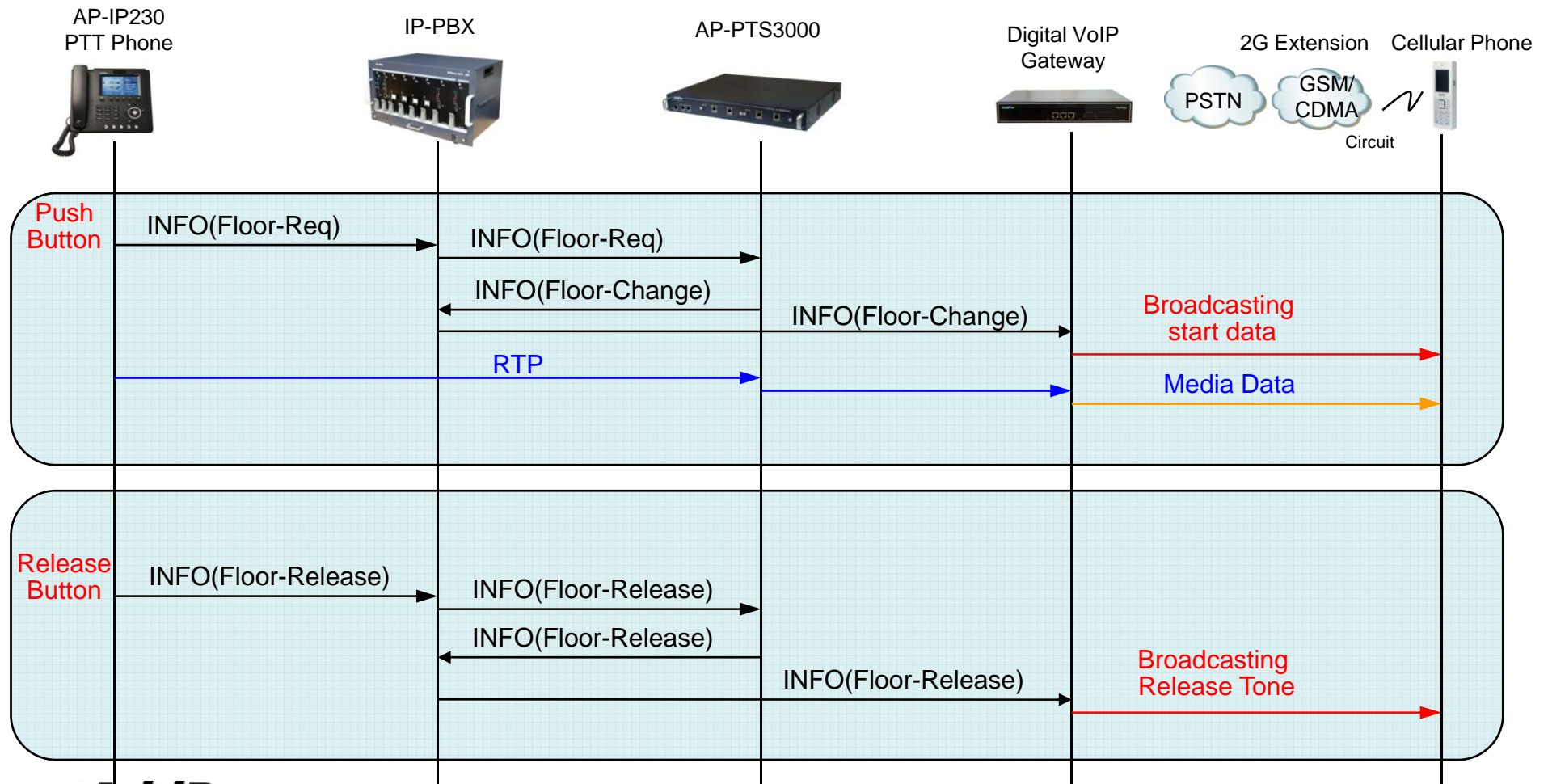
Circuit Mode Terminal Broadcasting Message Flow

Example 2 : AMP. Speaker Direct Broadcasting via AddPac Broadcasting Terminal



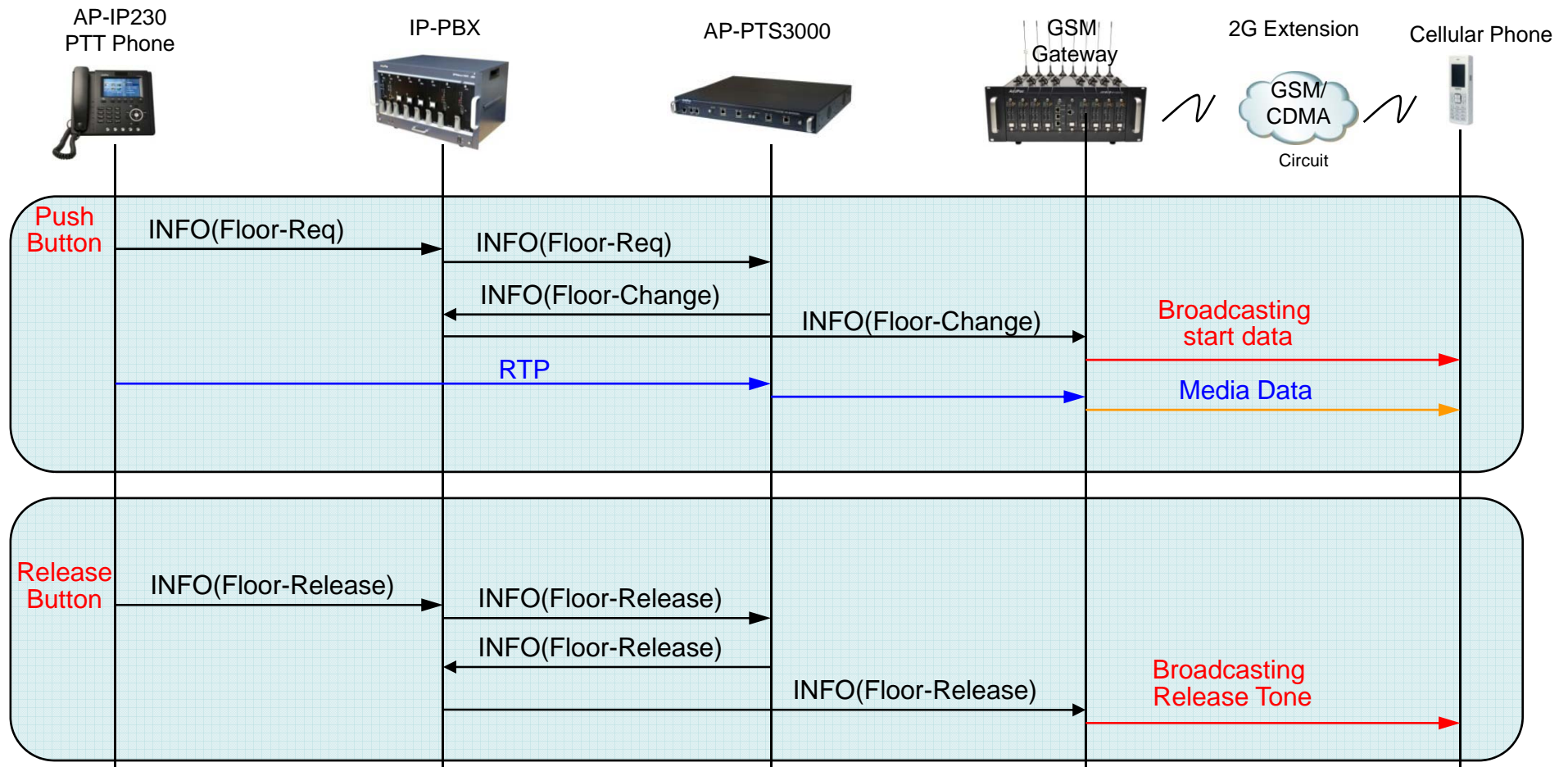
Circuit Mode Terminal Broadcasting Message Flow


Example 3 : Cellular Broadcasting via PSTN



Circuit Mode Terminal Broadcasting Message Flow

Example 4 : Cellular Broadcasting directly using GSM Gateway





IP based Circuit Mode Terminal Broadcasting Solution Components

IPNext3000 Next Generation IP-PBX



Main Features

IPNext3000 Next Generation IP-PBX

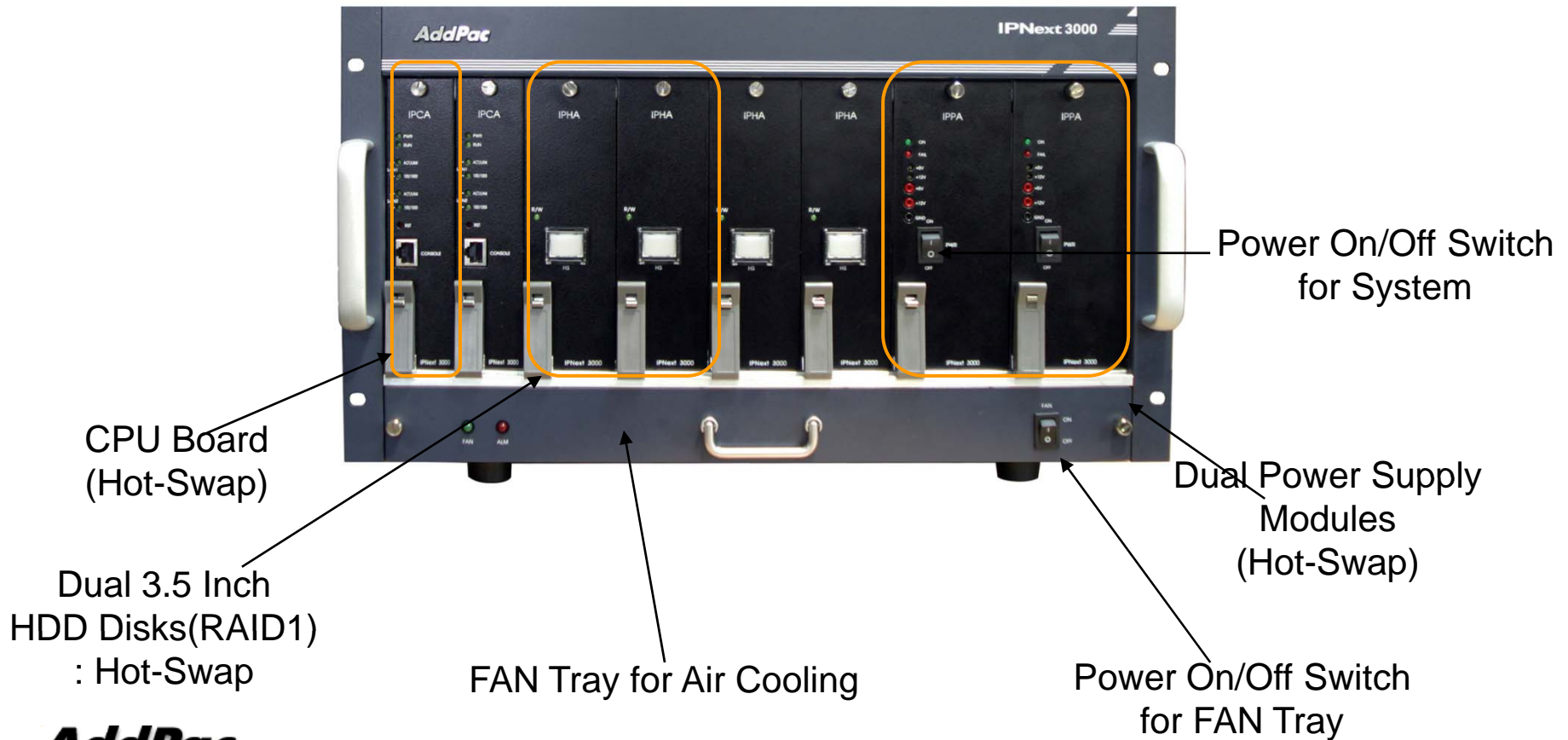
- Advanced IP-PBX Solution
- IPv4/IPv6 based Dual Network Protocol Support
- Internal/External RTP Proxy Function Support
 - External RTP Proxy Server for Private Address : AP-RS2000
- Internal/External Presence Function Support with Smart Messenger
 - External Presence Server : AP-PS2000
- Powerful Management and User Friendly Features
- Fault Tolerant and Scalability Architecture
- Firmware Upgradeable Architecture
- Dual System Redundancy Architecture
 - Two(2) 3.5 Inch Hard Disk (RAID 1) / System
 - Two(2) Gigabit Ethernet Interface / System
- Dual Redundancy Power Module
- Smart Multimedia Manager Software

Hardware Specification

IPNext3000 Next Generation IP-PBX



IPNext3000 Front Side

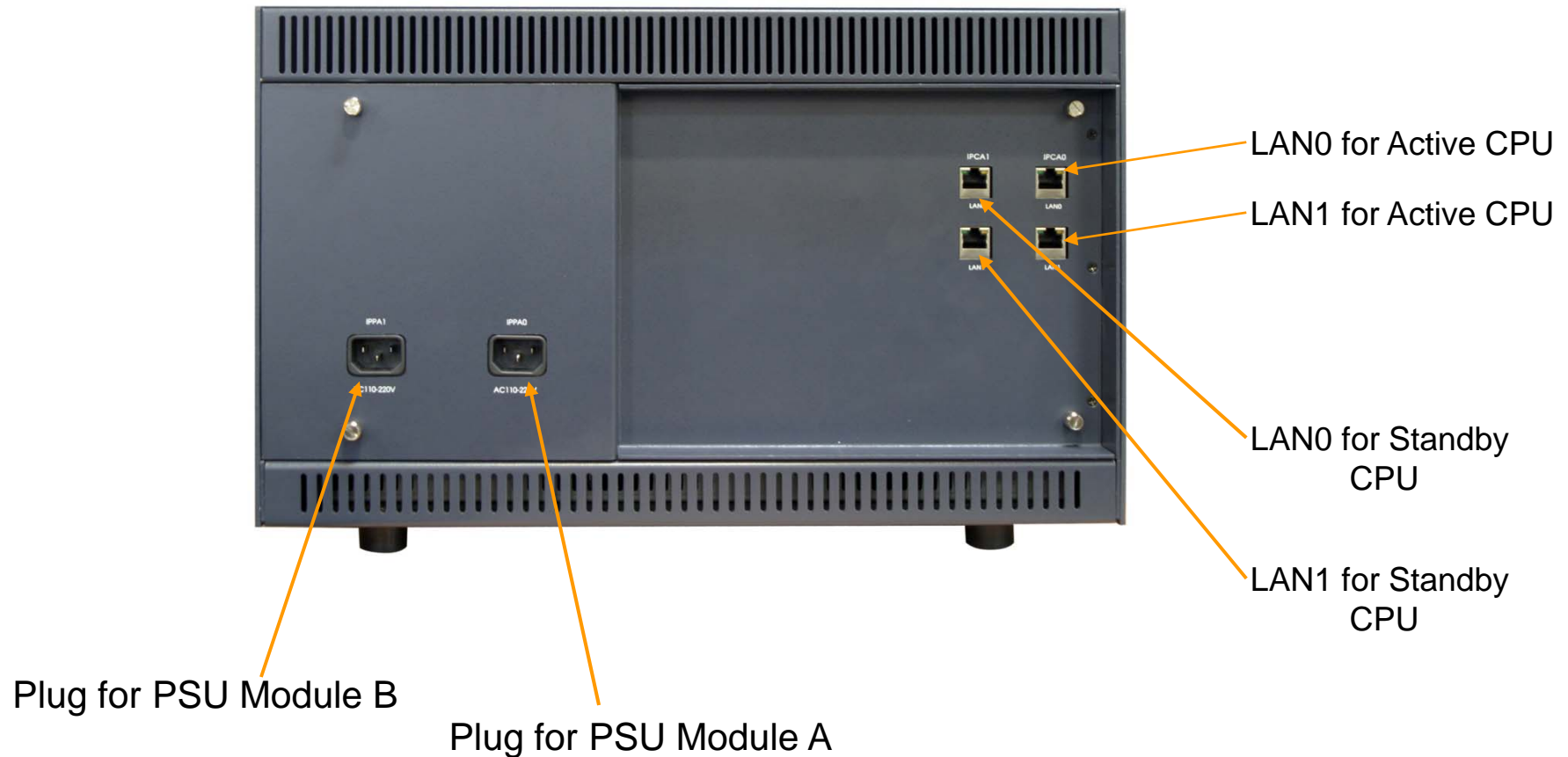


Hardware Specification

IPNext3000 Next Generation IP-PBX



IPNext3000 Back Side



AP-PTS3000 PTT Server



Main Features

AP-PTS3000 PTT Server

- Two(2) Module Slots for PTT Broadcasting Service
- Two(2) Gigabit Ethernet Interface Module
- IP based PTT Service Support
- Dial-Out based PTT Service Support
 - Multi-Session , Multi-Group
 - PtMP(Point-to-Multipoint) Service
 - PtP (Point-to-Point) Service
- Meet-me based PTT Service Support(Optional)
- IP-PBX Interworking Service
- IP Terminal Interworking Service (Wi-Fi Phone, IP Phones)
- Advanced Networking Protocols
- Firmware Upgradeable Architecture
- PTT Solution with Outstanding Network Service Capability

Hardware Specification

AP-PTS3000 PTT Server

64bit
CPU

- Network Module (AP-AIM2-GE2)
 - Two(2) Port Gigabit Ethernet Module

One(1) RS232C Port for CLI



Two(2) Fast Ethernet for management

Two(2) Gigabit Ethernet for PTT Service

AP1850 Digital VoIP Gateway (ISDN-PRI, R2)



Main Features

AP1850 Digital VoIP Gateway

- H.323/SIP Concurrent Stack Embedded
- High Performance RISC & Programmable DSP Architecture
- Two(2) 10/100Mbps Fast Ethernet (IP Share ,etc)
- High Performance LAN-to-LAN Routing Capability
- G.711/G.726/G.723/G.729, T.38 Fax , VAD, etc
- Powerful Network Protocols (PPPoE, DHCP, Static Routing, etc)
- Firmware Upgradeable Architecture
- NMS (Network Management System) for Large Scale Deployment
- Advanced Voice QoS Mechanism
- Light and Compact Design with Internal Power Supply
- Two(2) VoIP Module Slot for Digital Voice Interface
- ISDN-PRI, R2 Signaling Support
- One(1)-Port Digital E1/T1 Card, Two(2)-Port Digital E1/T1 Card

Hardware Specification

AP1850 Digital VoIP Gateway

RISC
CPU

High-end
DSP

- RISC Microprocessor Computing Power
- Up to 4E1 VoIP Gateway
- Two(2) VoIP Module Slots (Hot-Swap)
 - One(1)-Port Digital E1/T1 Card
 - Two(2)-Port Digital E1/T1 Card
- Network Interface
 - Two(2) 10/100Mbps Fast Ethernet (RJ45)
- RS232C Console Interface
- Run LED, LAN LED, Port LEDs
- Internal Power Supply

Hardware Specification

AP1850 Digital VoIP Gateway

Front Side



LAN0 10/100Mbps Ethernet

LAN1 10/100Mbps Ethernet

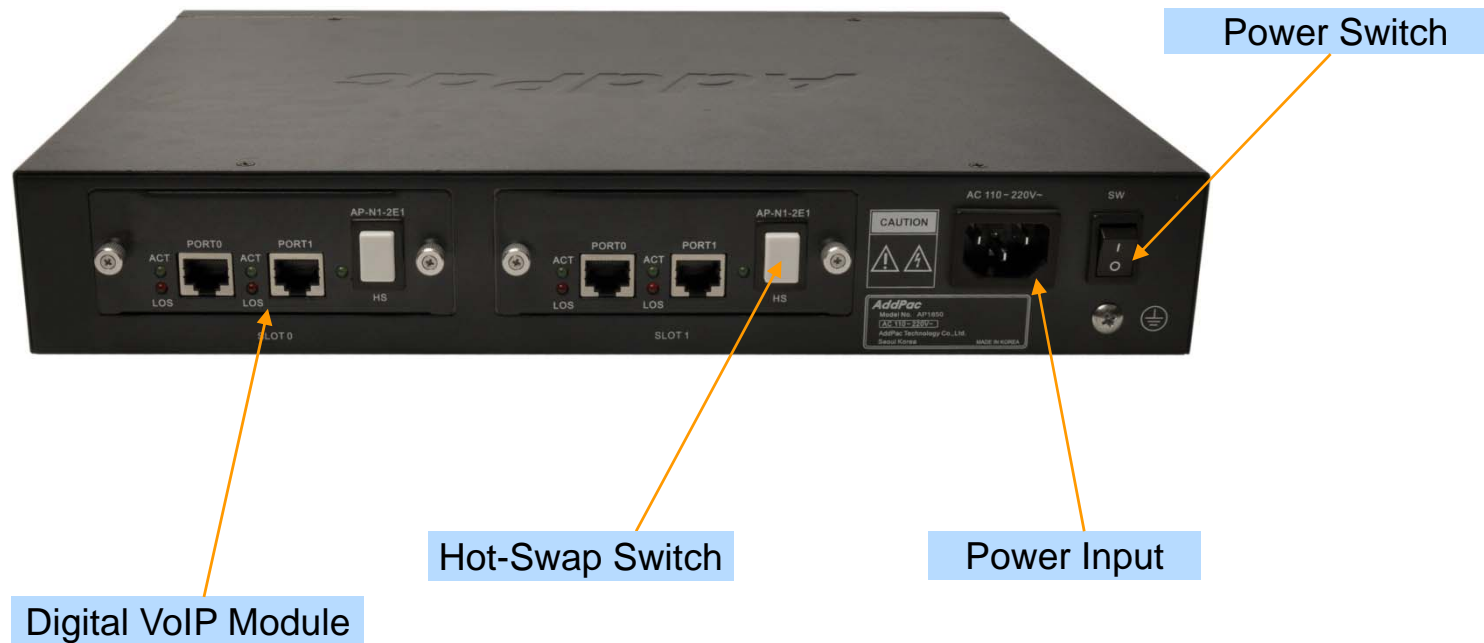
Console Interface

Port LEDs

Hardware Specification

AP1850 VoIP Gateway

Back Side





AP-GS3500 GSM Gateway

Main Features

AP-GS3500 GSM Gateway

- Ten(10) Module Slots for 4-Port GSM Module, 8FXS/8FXO Analog Interface (Up to 32-Port GSM, Digital E1/T1 Module, CPU Module)
- H.323/SIP Dual Concurrent Stack Embedded
- High Performance RISC & Programmable DSP Architecture
- G.711/G.726/G.723/G.729, T.38 Fax , VAD, etc
- Powerful Network Protocols (PPPoE, DHCP, Static Routing, etc)
- Two(2)10/100Mbps Fast Ethernet
- One(1) RS-232C Port for Command Line Interface
- Firmware Upgradeable Architecture
- Smart Web Manager for GSM Gateway Service
- NMS for Large Scale Deployment
- Advanced Voice QoS Mechanism
- Rack Mountable Chassis
- Module Type Dual Power Supply

Hardware Specification

AP-GS3500 GSM Gateway

RISC
CPU

High-end
DSP

- RISC Microprocessor Computing Power
- Ten(10) Module Slot for GSM, Analog /Digital VoIP Interface, CPU board
- 4-Port GSM Module(AP-N1-GSM4)
 - 4-Port SIM Card Slot
 - One(1) GSM Antenna Interface (Internal 4 Channel Combiner)
 - Hot-Swap
- VoIP Interface Module (Hot-Swap)
 - 8-Port FXS Module (AP-N1-FXS8)
 - 8-Port FXO Module (AP-N1-FXO8)
 - Digital E1/T1 Module (AP-N1-E1)
- Network Interface
 - Two(2) 10/100Mbps Fast Ethernet (RJ45)
- RS232C Console Interface for CLI
- Run LED, LAN LED, Port LEDs
- Module Type Dual Power Supply



Hardware Specification

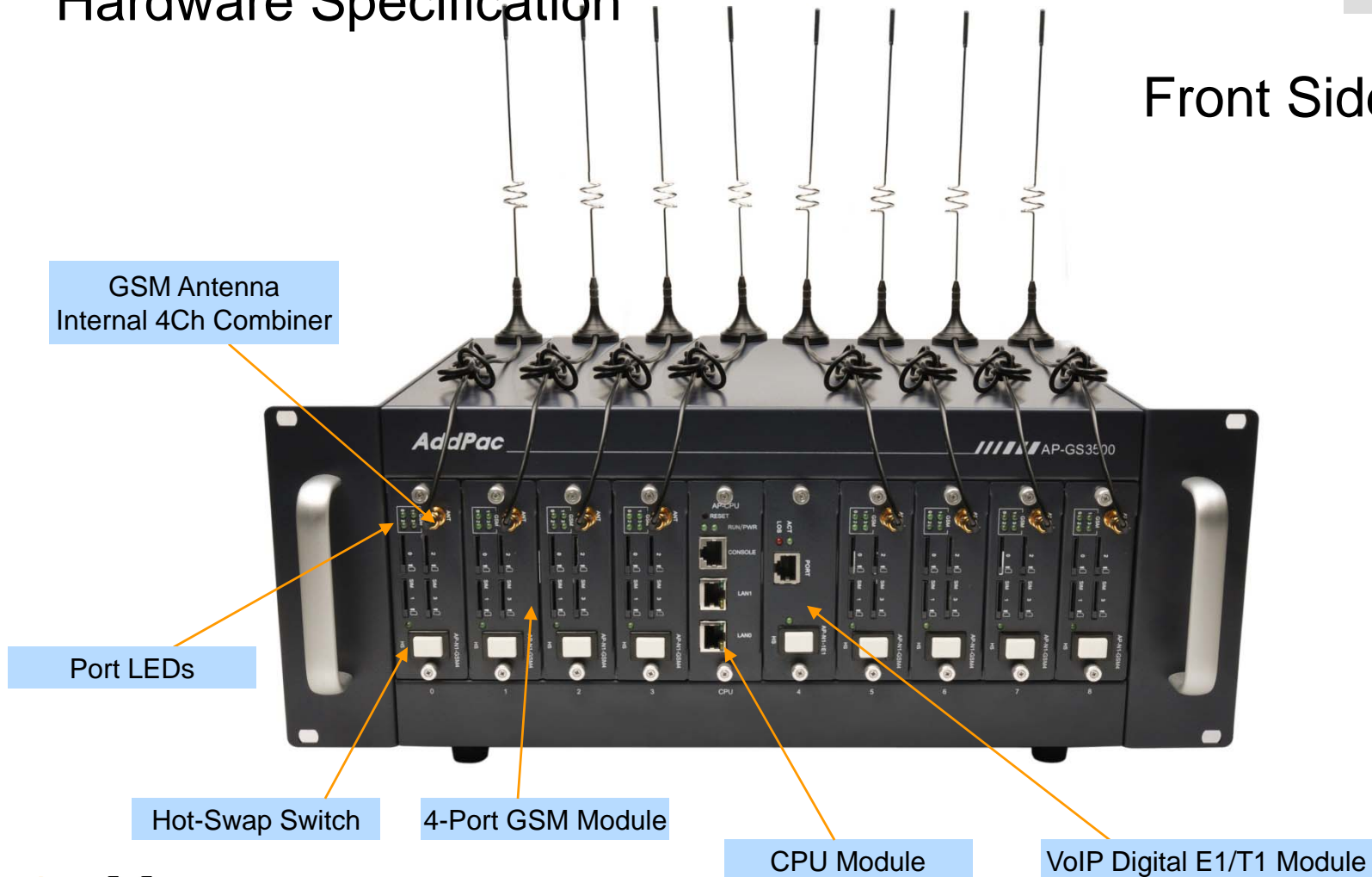
AP-GS3500 GSM Gateway

RISC
CPU

High-end
DSP

Hardware Specification

Front Side View



AddPac

www.addpac.com

Hardware Specification

AP-GS3500 GSM Gateway

RISC
CPU

High-end
DSP

Hardware Specification

Back Side View



AP-IP300 IP Phone for PTT Service



Main Features

AP-IP300 IP Phone

- 4.3 Inch Color LCD Display
- External I/O Interface
 - Audio In/Out
 - Two(2) Fast Ethernet Interface
 - PSTN FXO Interface (optional)
- PoE (Power over Ethernet) Support
- 25 Speed Dial button with Presence Indication Lamp
- Audio Broadcasting Controller & Terminal
- Providing Powerful Push-to-Talk Service
- Powerful Color GUI
- IPv4/IPv6 Address Support
- SIP, H.323 Signaling Support
- High-end Error Resilient Against Various Packet Error

Hardware Specification

AP-IP300 IP Phone

- RISC+DSP Microprocessor Computing Power (Dual Processor Architecture)
- High Quality 4.3 Inch Color LCD Panel
- 25 Speed Dial Key & User Presence Indication LED
- Optional PSTN Backup Interface
 - FXO Interface
- High quality Audio and Voice Interface
 - Stereo Audio Input Connector
 - Stereo Audio Output Connector
- Network Interface
 - Two(2) 10/100Mbps Fast Ethernet
- USB Host Mode Interface
 - USB Memory(Flash, HDD), etc
- Power Supply
 - Power over Ethernet
 - External Power Adaptor (5V, 3A)



Hardware Specification

AP-IP300 IP Phone



AP-IP230 IP Phone for PTT Service



Main Features

AP-IP230 IP Phone

- 5 Inch Color LCD Display with Touch Screen
- External I/O Interface
 - Audio In/Out
 - Two(2) Fast Ethernet Interface
 - PSTN FXO Interface (optional)
- PoE (Power over Ethernet) Support
- Touch Screen based 25 Speed Dial button with User Presence Indication
- Audio Broadcasting Controller & Terminal
- Providing Powerful Push-to-Talk Service
- Powerful Color GUI
- IPv4/IPv6 Address Support
- SIP, H.323 Signaling Support
- High-end Error Resilient Against Various Packet Error

Hardware Specification

AP-IP230 IP Phone

- RISC+DSP Microprocessor Computing Power (Dual Processor Architecture)
- High Quality 5 Inch Color LCD Panel with Touch Screen
- Touch Screen based 25 Speed Dial Key & User Presence Indication Info.
- Optional PSTN Backup Interface
 - FXO Interface
- Optional PoE Interface
- High quality Audio and Voice Interface
 - Stereo Audio Input Connector
 - Stereo Audio Output Connector
- Network Interface
 - Two(2) 10/100Mbps Fast Ethernet
- USB Host Mode Interface
 - USB Memory(Flash, HDD), etc
- Power Supply
 - Power over Ethernet
 - External Power Adaptor (5V, 3A)



Hardware Specification

AP-IP230 IP Phone



Soft PTT Button



Thank you!

AddPac Technology Co., Ltd.
Sales and Marketing

Phone +82.2.568.3848 (KOREA)

FAX +82.2.568.3847 (KOREA)

E-mail sales@addpac.com