

Multi-Port GSM Gateway Series

Web based QoS Control



AddPac

AddPac Technology

Sales and Marketing

www.addpac.com

Contents

- ? Smart Web for QoS Control
- ? Packet Transmit Diagram (before, after QoS mode)



QoS Control

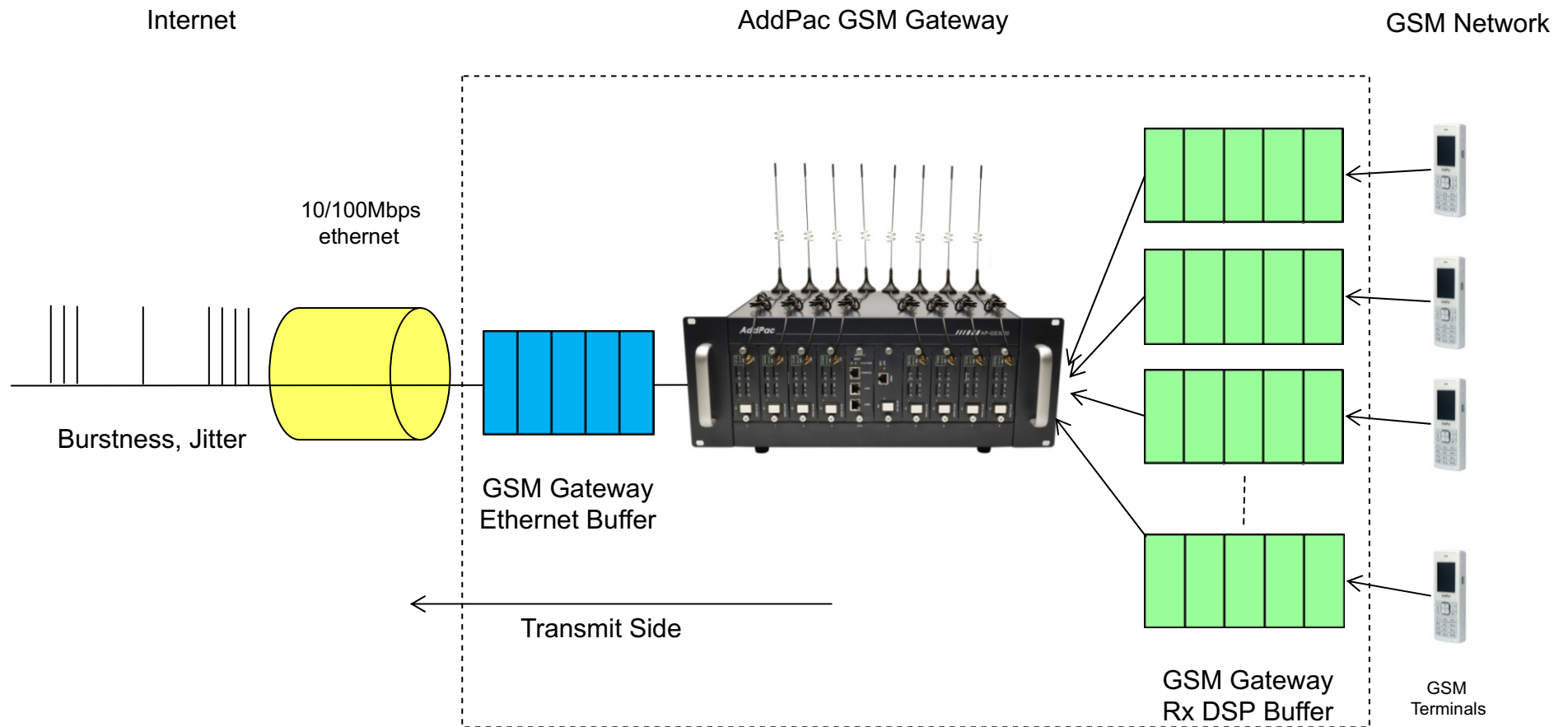
The screenshot displays the 'WAN & Tunneling Setup' page in the Smart Web Manager. The left sidebar shows a navigation menu with 'WAN Setup' highlighted. The main content area includes sections for 'WAN Setup', 'Static IP', 'PPPoE(ADSL)', 'DHCP', and 'VLAN'. The 'QoS Control' section is highlighted with a red dashed box and contains the following fields:

- Enable QoS (optional)
- Bandwidth : Kbps (default auto, 48-4096)
- PPS : pps (default auto, 50-2000)

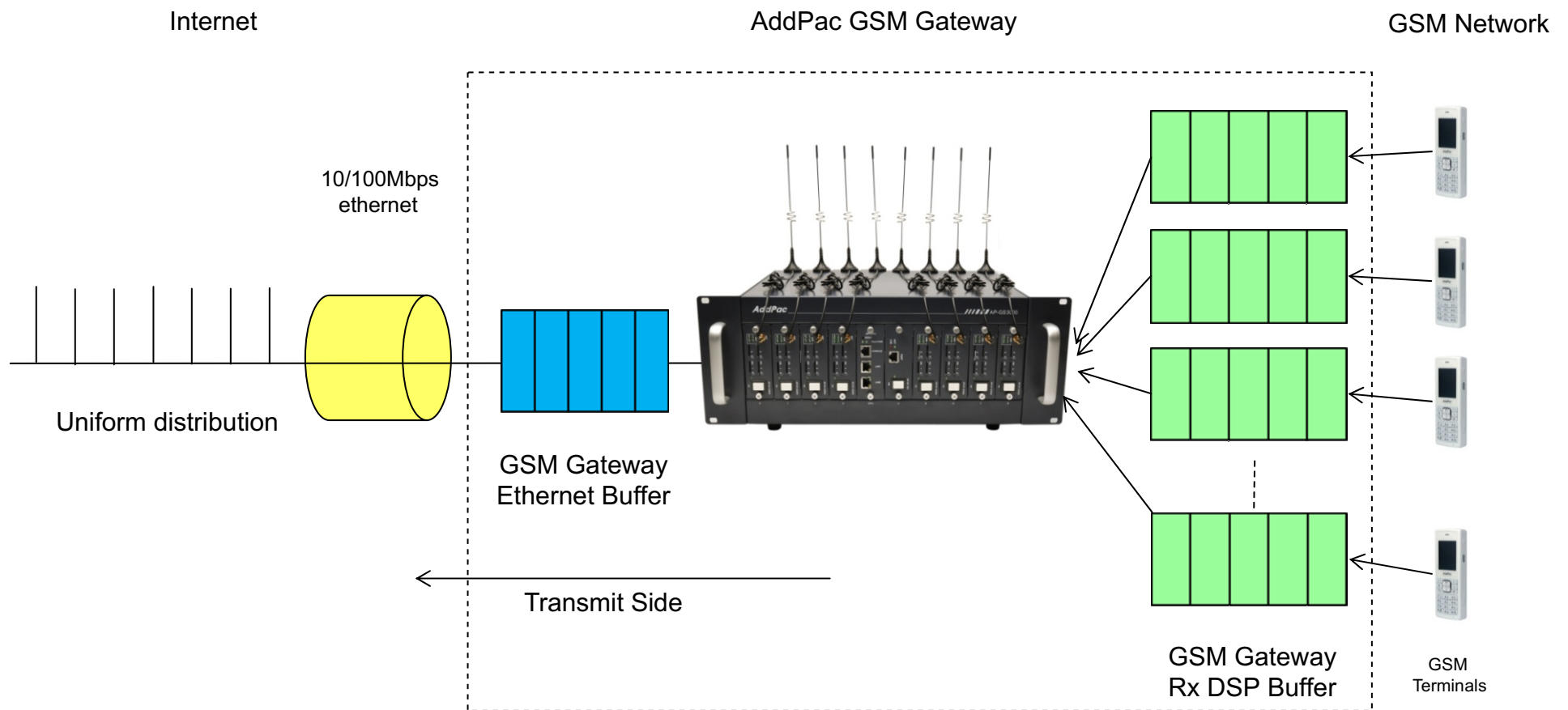
A yellow callout box points to the 'QoS Control' section with the text: 'QoS Control - ?Supported by Bandwidth and PPS(Packets Per Second) conditions.'

At the bottom of the page, there is an 'Apply' button with a green checkmark icon.

Packet Transmit (Before QoS enable mode)



Packet Transmit (After QoS enable mode)



GSM Gateway Series

Thank you!

AddPac Technology Co., Ltd.
Sales and Marketing

Phone +82.2.568.3848 (KOREA)

FAX +82.2.568.3847 (KOREA)

E-mail sales@addpac.com