



AP-GS3000

Multi-Port GSM Gateway

High Performance GSM Gateway Solution

H/W Design Concept



AddPac

AddPac Technology

Sales and Marketing

Contents

- ? Product Overview
- ? Hardware Specification
- ? AP-N1-GSM4 Module Diagram
- ? AP-N1-CDMA4 Module Diagram
- ? AP-N1-GSM4 H/W Block Diagram
- ? AP-N1-CDMA4 H/W Block Diagram
- ? 36-Port GSM Service Configuration
- ? 32-Port GSM + Digital E1/T1 Service Configuration
- ? 32-Port GSM Service Network Diagram



Product Overview

- ? Ten(10) Module Slots for 4-Port GSM Module, 8FXS/8FXO Analog Module, Digital E1/T1 Interface (Up to 36-Port GSM, CPU Module)
- ? H.323/SIP/MGCP Triple Concurrent Stack Embedded
- ? High Performance RISC & Programmable DSP Architecture
- ? G.711/G.726/G.723/G.729, T.38 Fax , VAD, etc
- ? Powerful Network Protocols (PPPoE, DHCP, Static Routing, etc)
- ? Two(2) 10/100Mbps Fast Ethernet
- ? One(1) RS-232C Port for Command Line Interface
- ? Firmware Upgradeable Architecture
- ? VPMS (VoIP Plug&Play Management System) & NMS for Large Scale Deployment
- ? Advanced Voice QoS Mechanism
- ? Rack Mountable Chassis with Internal Power Supply

Hardware Specification

RISC
CPU

High-end
DSP

- ? RISC Microprocessor Computing Power
- ? Ten(10) Module Slot for GSM, Analog /Digital VoIP Interface, CPU board
- ? 4-Port GSM Module(AP-N1-GSM4)
 - ? 4-Port SIM Card Slot
 - ? One(1) GSM Antenna Interface (Internal 4 Channel Combiner)
- Hot-Swap
- ? VoIP Interface Module (Hot-Swap)
 - ? 8-Port FXS Module (AP-N1-FXS8)
 - ? 8-Port FXO Module (AP-N1-FXO8)
 - ? Digital E1/T1 Module (AP-N1-E1)
- ? Network Interface
 - Two(2) 10/100Mbps Fast Ethernet (RJ45)
- ? RS232C Console Interface for CLI
- ? Run LED, LAN LED, Port LEDs
- ? Internal Power Supply

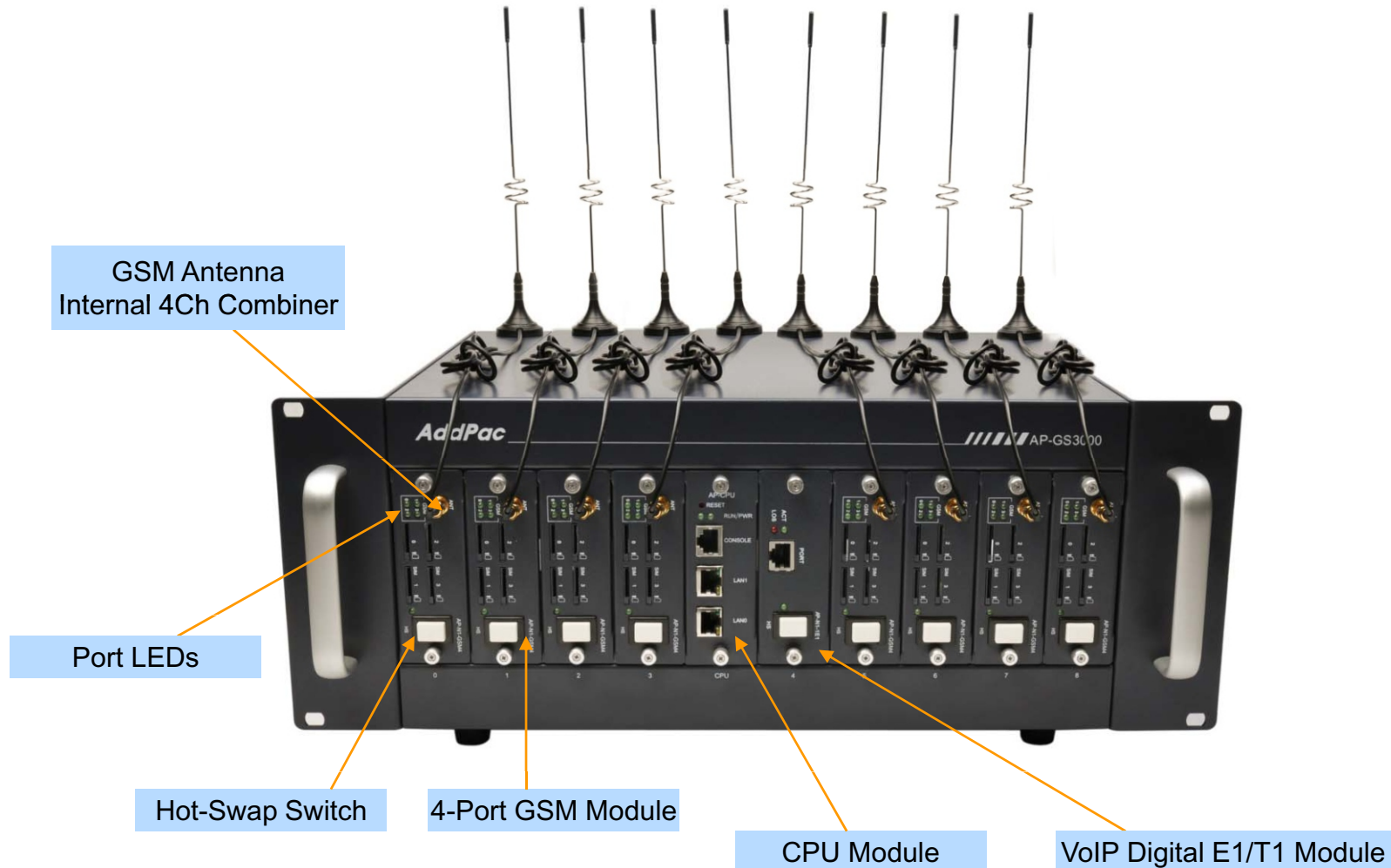


Hardware Specification

RISC
CPU

High-end
DSP

Front Side View



AddPac

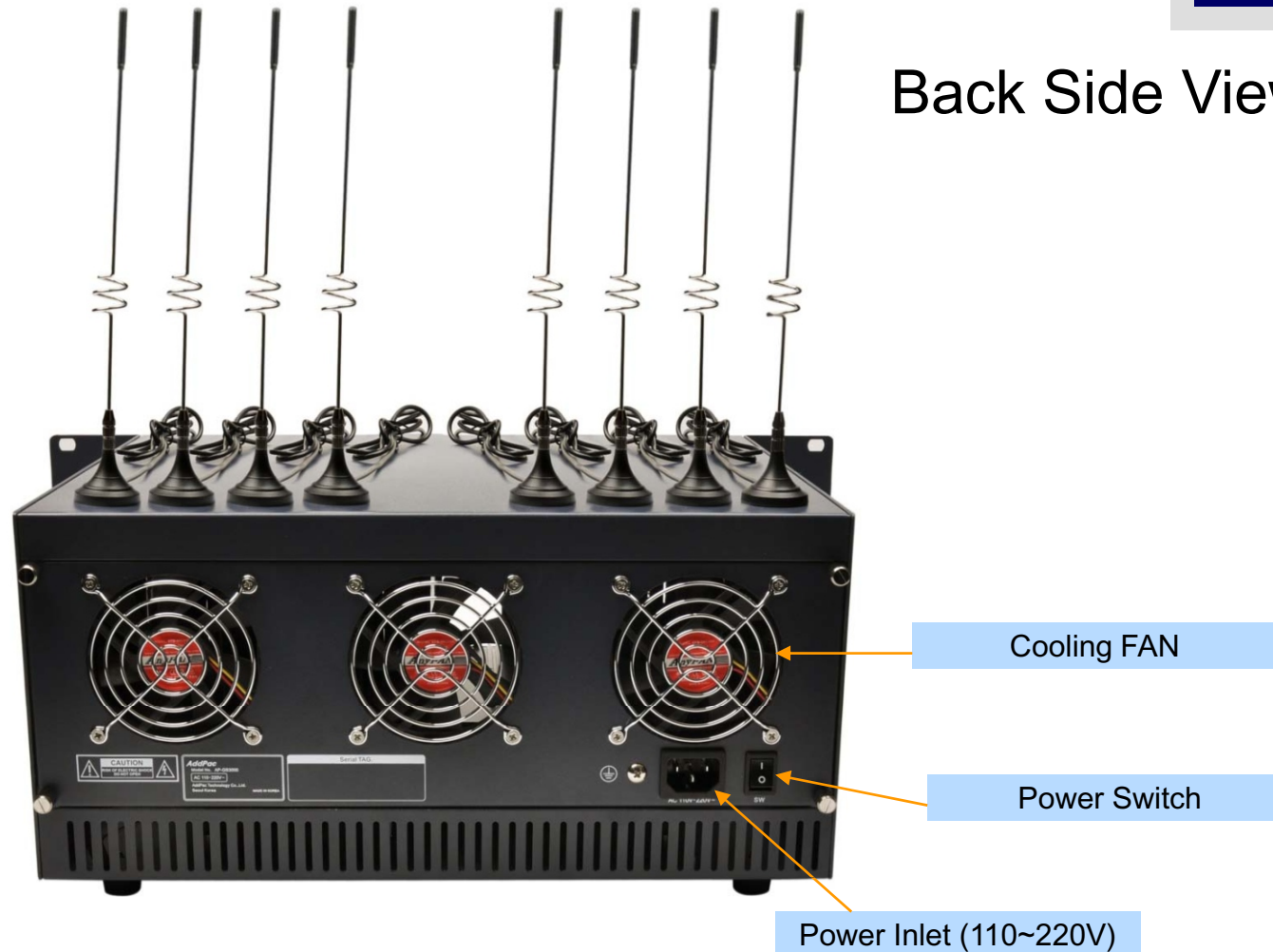
www.addpac.com

Hardware Specification

RISC
CPU

High-end
DSP

Back Side View



AP-N1-GSM4 Module Diagram

RISC
CPU

High-end
DSP

SIM Card Slot



AP-N1-GSM4
(4-Port GSM Module)

GSM Antenna
Internal 4Ch Combiner

Hot-Swap Switch

Port LEDs

AP-N1-CDMA4 Module Diagram

RISC
CPU

High-end
DSP

RUIM Card Slot



AP-N1-CDMA4
(4-Port CDMA Module)

CDMA Antenna
Internal 4Ch Combiner

CDMA Port LED

Hot-Swap Switch

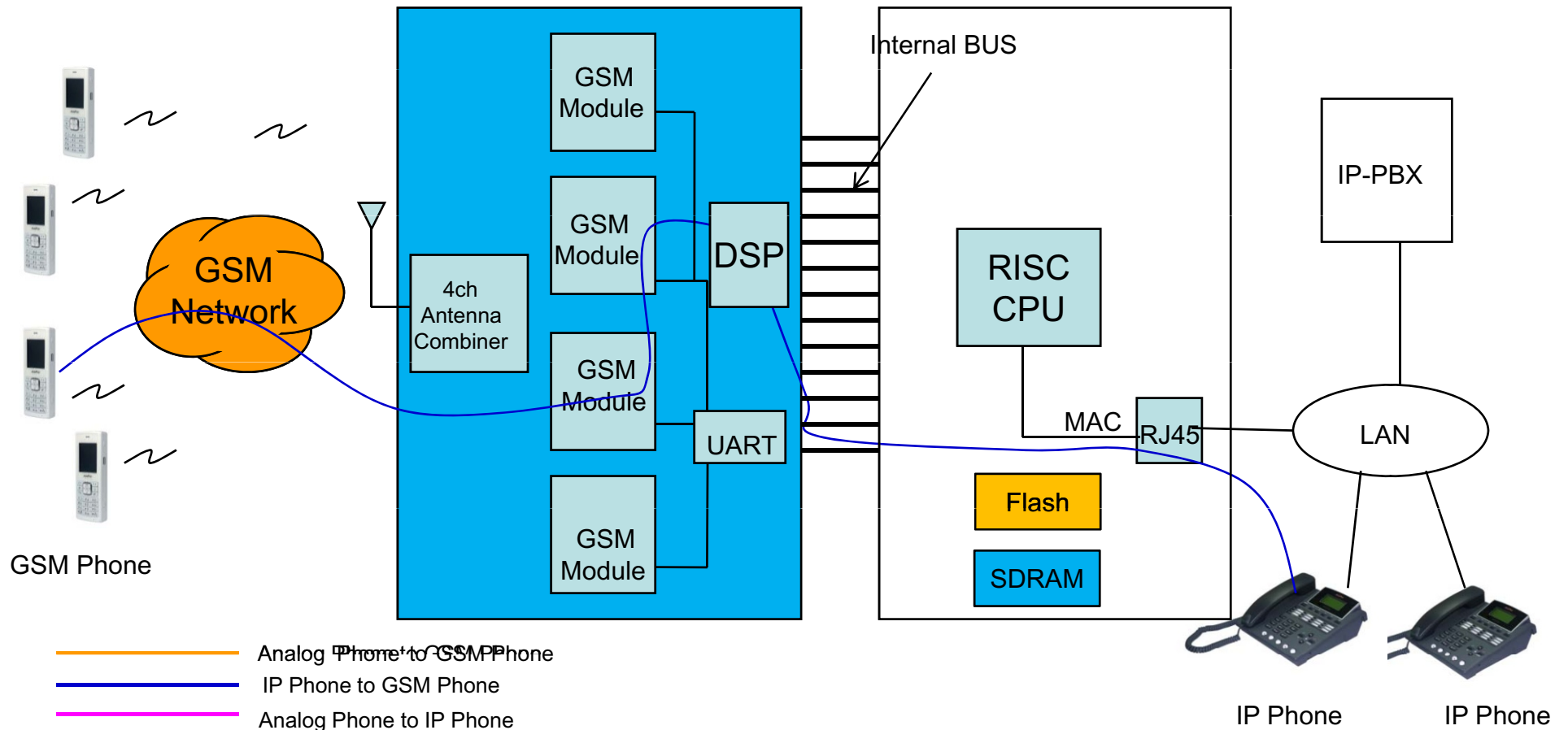
AP-N1-GSM4 H/W Block Diagram

RISC
CPU

High-end
DSP

GSM Gateway Service Diagram

AP-N1-GSM4 4-Port GSM Module Internal H/W Block Diagram



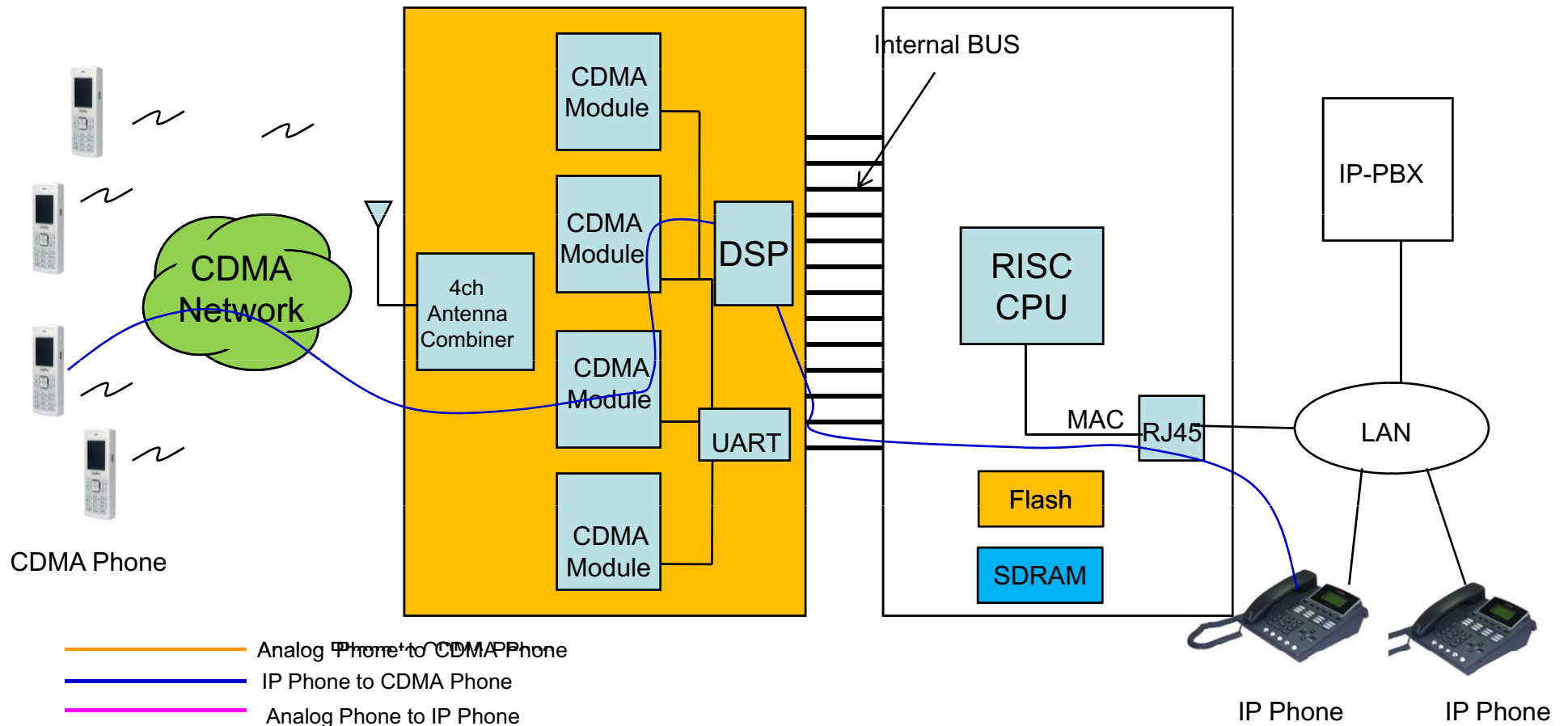
AP-N1-CDMA4 H/W Block Diagram

RISC
CPU

High-end
DSP

CDMA Gateway Service Diagram

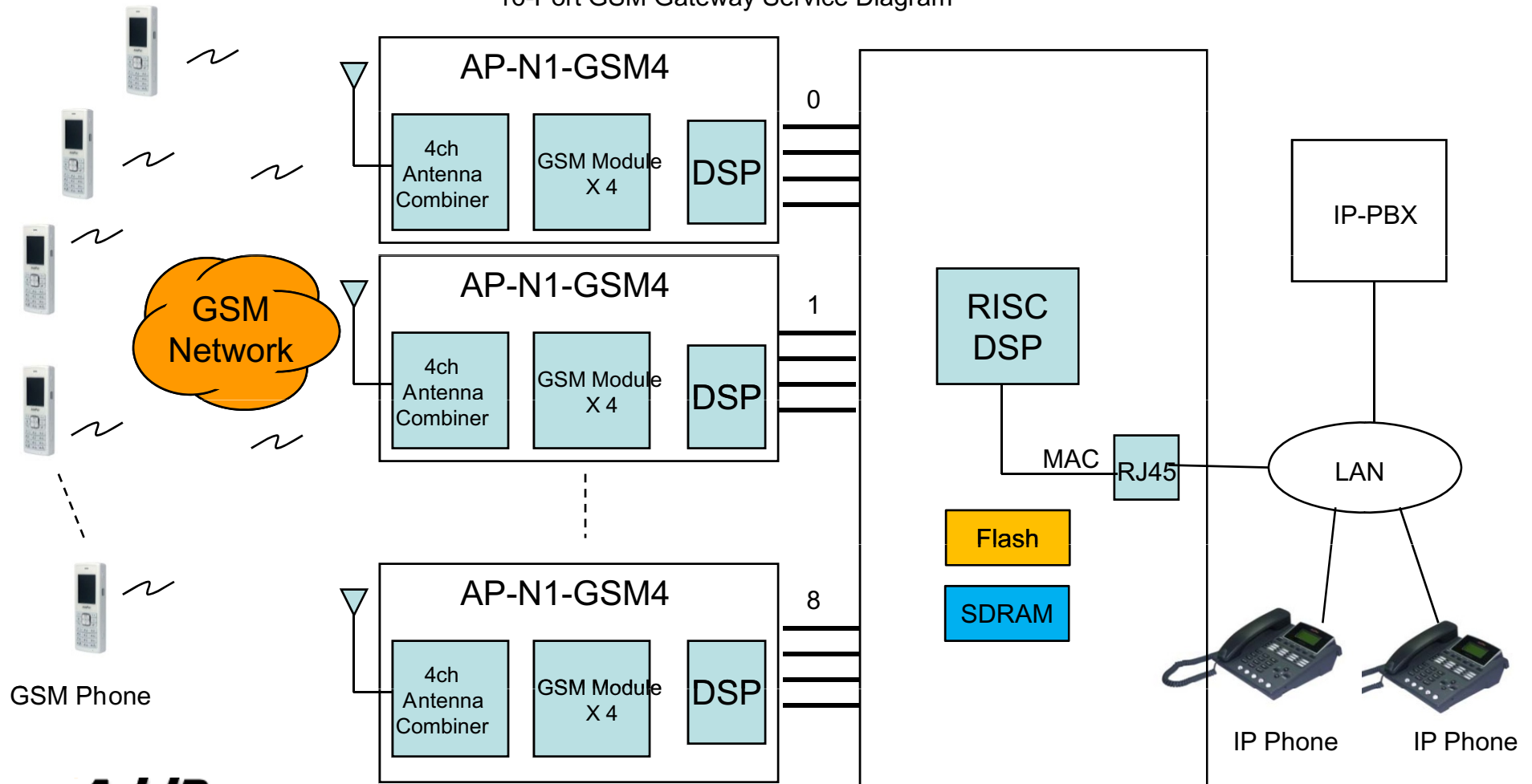
AP-N1-CDMA4 4-Port CDMA Module Internal H/W Block Diagram



36-Port GSM Configuration

GSM Gateway Service Diagram

16-Port GSM Gateway Service Diagram



GSM Phone

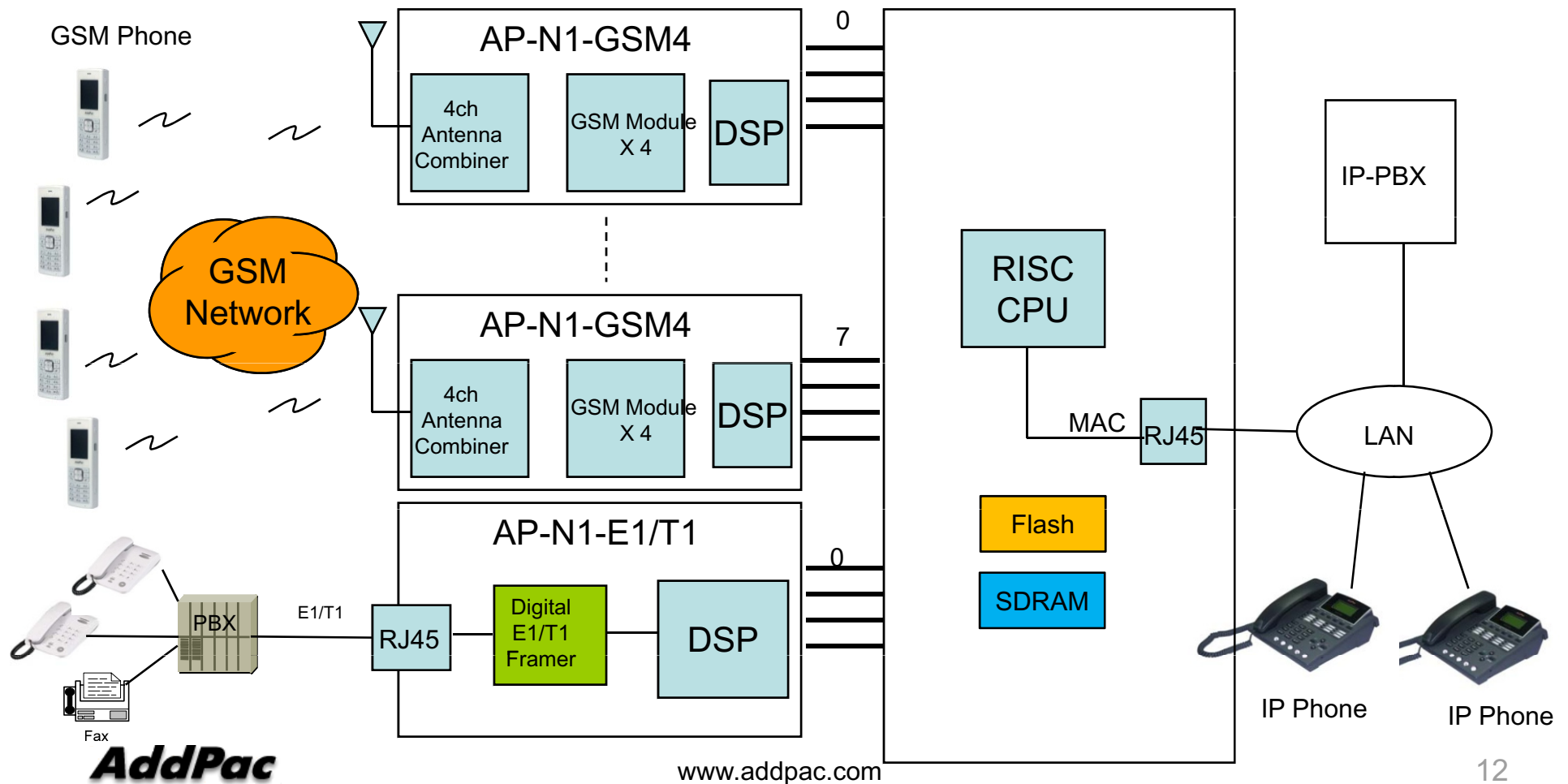
AddPac

www.addpac.com

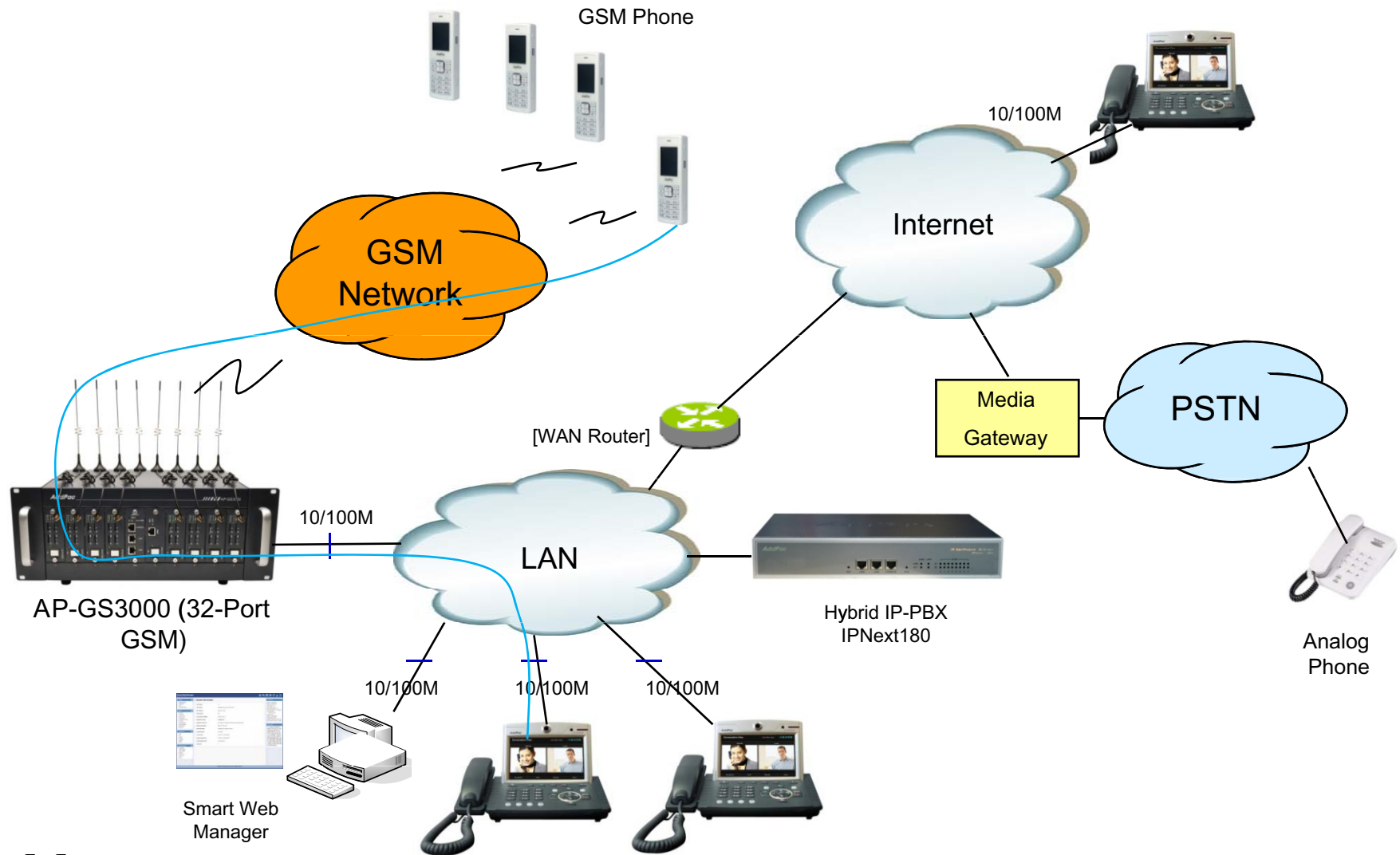
32-Port GSM + Digital E1/T1 Configuration

GSM Gateway Service Diagram

32-Port GSM + Digital E1/T1 Gateway Service Diagram



Network Service Diagram



GSM Gateway Series

Thank you!

AddPac Technology Co., Ltd.
Sales and Marketing

Phone +82.2.568.3848 (KOREA)

FAX +82.2.568.3847 (KOREA)

E-mail sales@addpac.com