

GSM & VoIP Modules for AP-GS3000, AP-GS2700, etc



AddPac

AddPac Technology

Sales and Marketing

Contents






- AP-GS3000,AP-GS2700, N1 H/W Platform
- GSM & VoIP Modules for N1 H/W Platform





AP-GS3000, AP-GS2700, N1 H/W Platform

AP-GS3000,AP-GS2700, N1 H/W Platform

Model	AP-GS1500	AP-GS2000	AP-GS2500	AP-GS2700	AP-GS3000
					
Available Modules	AP-N1-GSM4 AP-N1-FXS8 AP-N1-FXO8 AP-N1-FXS4O4	AP-N1-GSM4 AP-N1-FXS8 AP-N1-FXO8 AP-N1-FXS4O4 AP-N1-E1	AP-N1-GSM4 AP-N1-FXS8 AP-N1-FXO8 AP-N1-FXS4O4 AP-N1-E1	AP-N1-GSM4 AP-N1-FXS8 AP-N1-FXO8 AP-N1-FXS4O4 AP-N1-E1	AP-N1-GSM4 AP-N1-FXS8 AP-N1-FXO8 AP-N1-FXS4O4 AP-N1-E1
GSM Channel	Up to 8 Channel	Up to 12 Channel	Up to 16 Channel	Up to 24 Channel	Up to 36 Channel
GSM Antenna	One(1) / 4 Channel GSM Module (AP-N1-GSM4)	One(1) / 4 Channel GSM Module (AP-N1-GSM4)	One(1) / 4 Channel GSM Module (AP-N1-GSM4)	One(1) / 4 Channel GSM Module (AP-N1-GSM4)	One(1) / 4 Channel GSM Module (AP-N1-GSM4)
Module Slot	Two(2) Module Slots for GSM	Three(3) Module Slots for GSM	Four(4) Module Slots for GSM	Six(6) Module Slots for GSM, E1/T1 Module Slot	Nine(9) Module Slots for GSM, E1/T1 Module Slot
LAN Port	2	2	2	2	2
Console	1	1	1	1	1
Power	Single PSU	Single PSU	Single PSU	Single PSU	Single PSU



GSM & VoIP Modules for GSM N1 Platform

GSM & VoIP N1 Modules

AP-N1-GSM4 4-Port GSM Module



AP-N1-FXS8 8-Port FXS Module



AP-N1-FXO8 8-Port FXO Module



AP-N1-FXS4O4 4-Port FXS&4-Port FXO Module



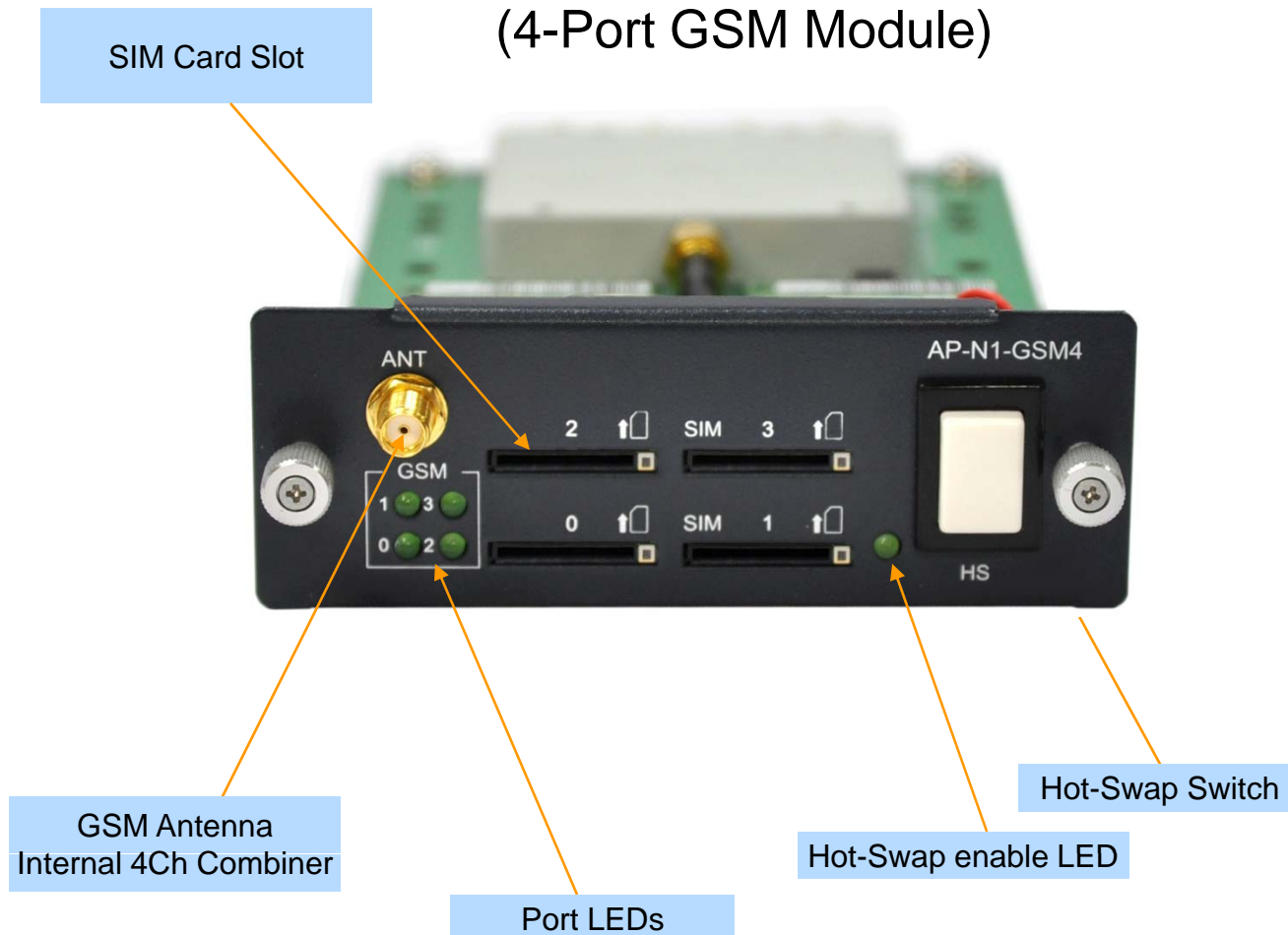
AP-N1-E1 1-Port Digital E1/T1 Module



GSM & VoIP N1 Modules

High-end
DSP

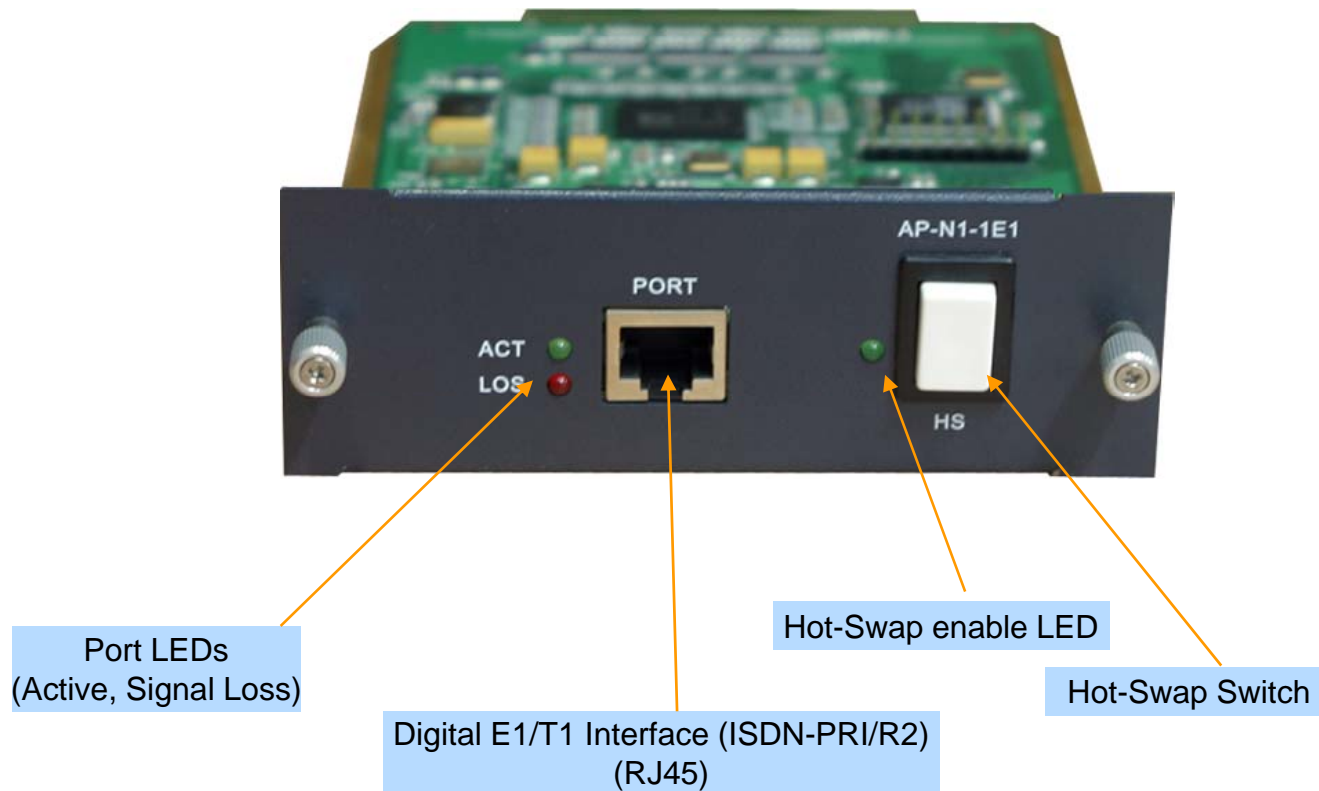
AP-N1-GSM4 (4-Port GSM Module)



GSM & VoIP N1 Modules

High-end
DSP

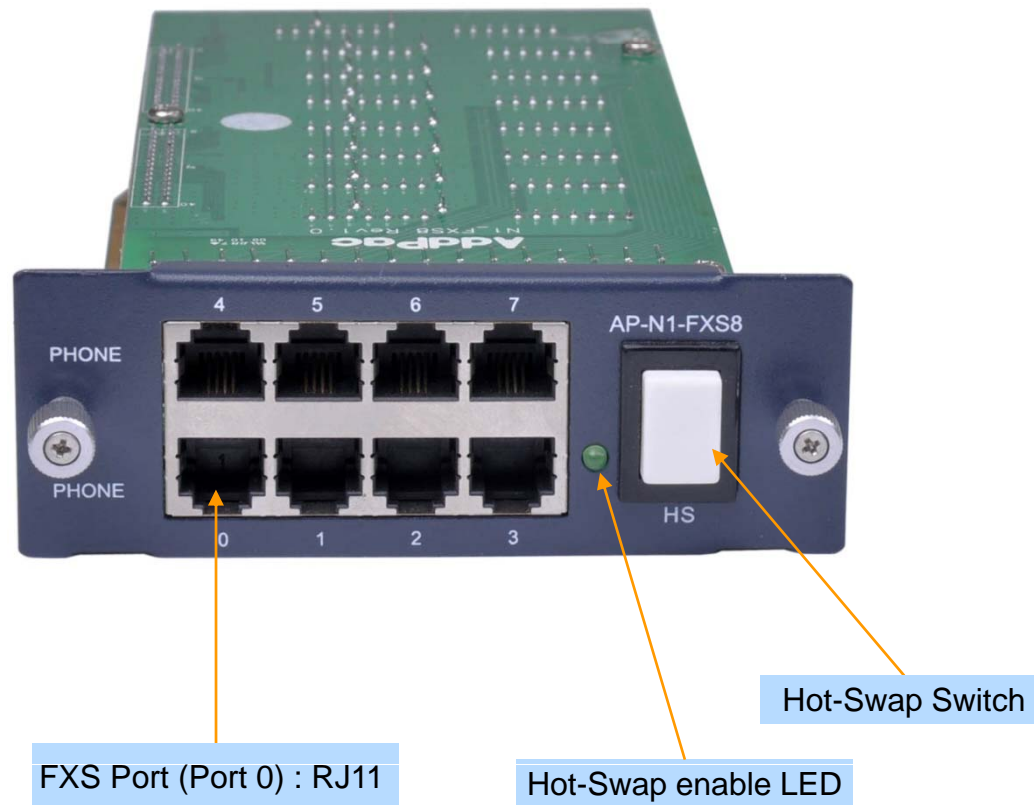
AP-N1-1E1 (1-Port Digital E1/T1 Module)



GSM & VoIP N1 Modules

High-end
DSP

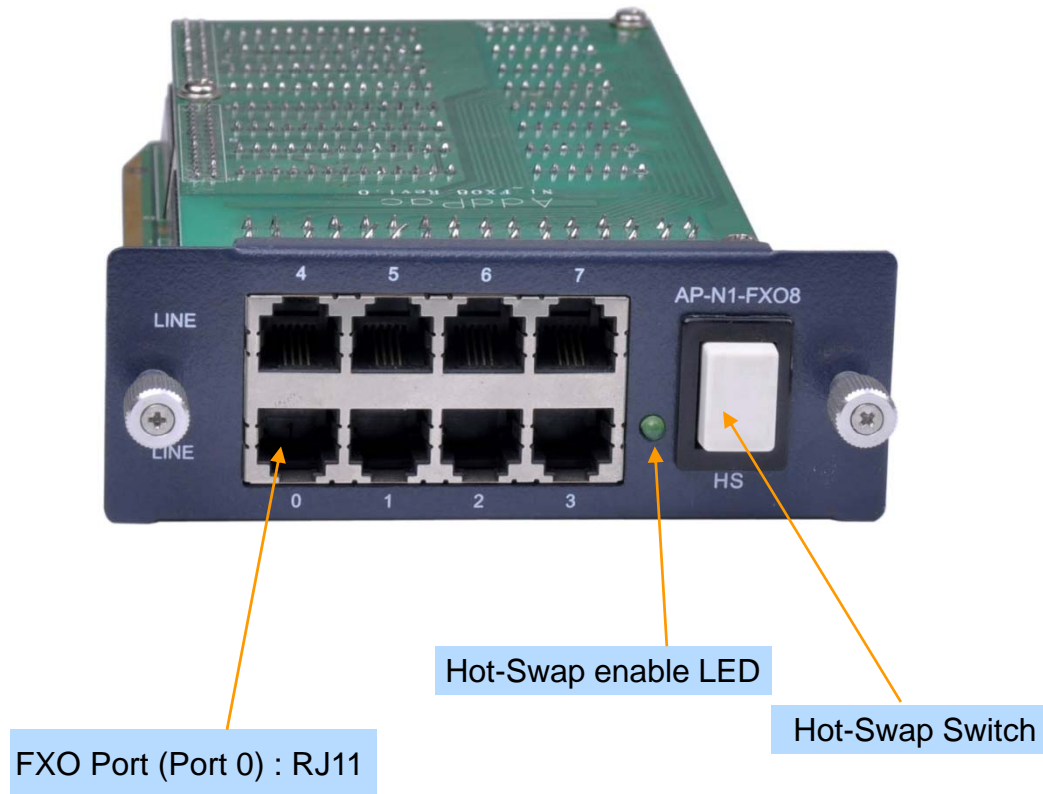
AP-N1-FXS8 (8-Port FXS VoIP Module)



GSM & VoIP N1 Modules

High-end
DSP

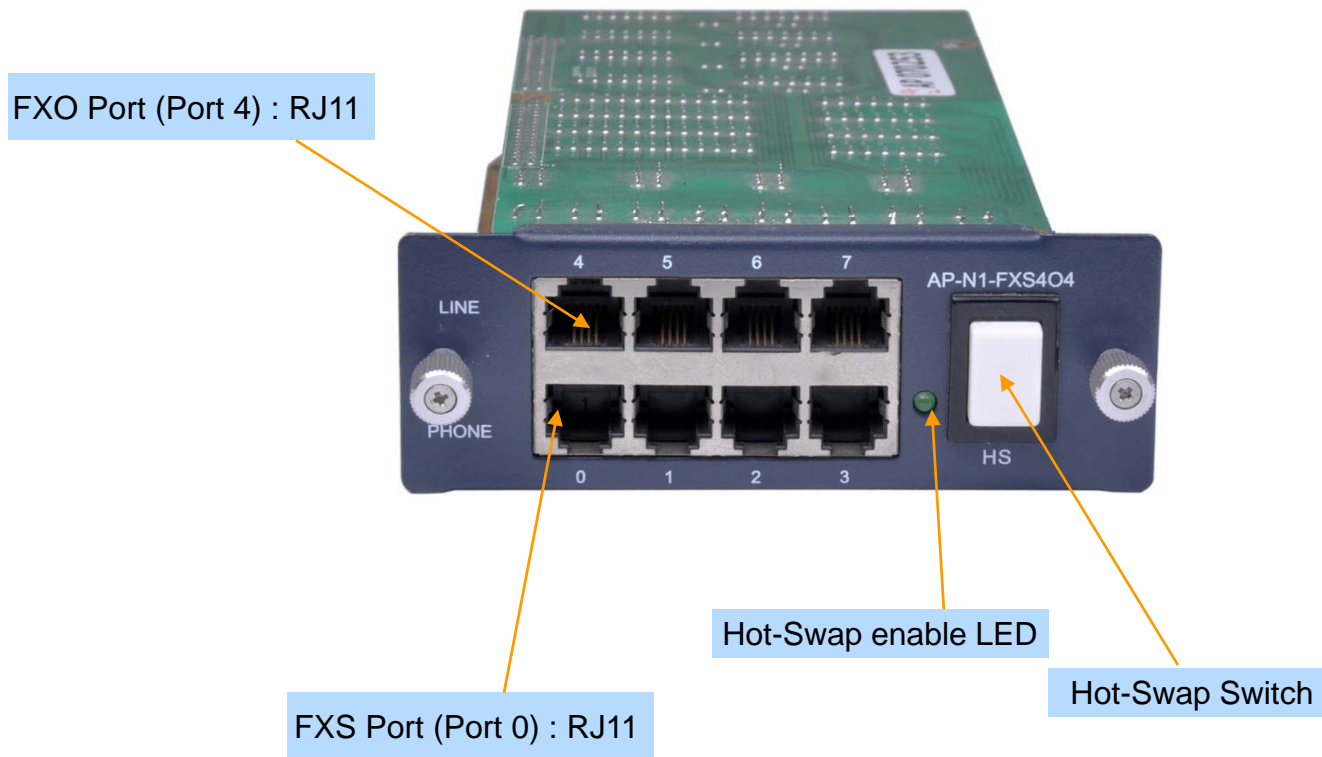
AP-N1-FXO8
(8-Port FXO VoIP Module)



GSM & VoIP N1 Modules

High-end
DSP

AP-N1-FXS4O4 (4-Port FXS & 4-Port FXO VoIP Module)





Thank you!

AddPac Technology Co., Ltd.
Sales and Marketing

Phone +82.2.568.3848 (KOREA)

FAX +82.2.568.3847 (KOREA)

E-mail sales@addpac.com