

TC3000

H.264 Video Transcoder Module

High-performance Network HD DVR Solution

Preliminary Product Overview

(Without notice, following described technical spec. can be changed)



AddPac

AddPac Technology

Sales and Marketing

Contents

- Product Overview
- Hardware Specification
- Software Service
- Video Transcoding Bit-Stream Matrix
- RTSP Service Network Diagram
- RTSP Service Features
- Video Codec Service Features
- Network Service and Features
- Ordering Information

Product Overview

TC3000 H.264 Video Transcoder Module

- Full HD (1080i) Video Transcoding Service Features
- Video Codec : H.264 HP/MP/BP
- From Large Size Video to Small Size Video Conversion
- Hard Real-time H.264 Video Transcoding Service
- Hardware based H.264 Video Transcoding Service
- RTSP/RTP, TCP/UDP Protocol Support
- IP based Network Surveillance Solution
- High-performance Video, Audio, and Voice Service
- Firmware Upgradeable Architecture
- Video Solution with Outstanding Network Service Capability
- Web based Management Service
- AP-NC2000D, AP-NC2000, AP-NC3000, AP-NC5000 Platform Available

Hardware Specification

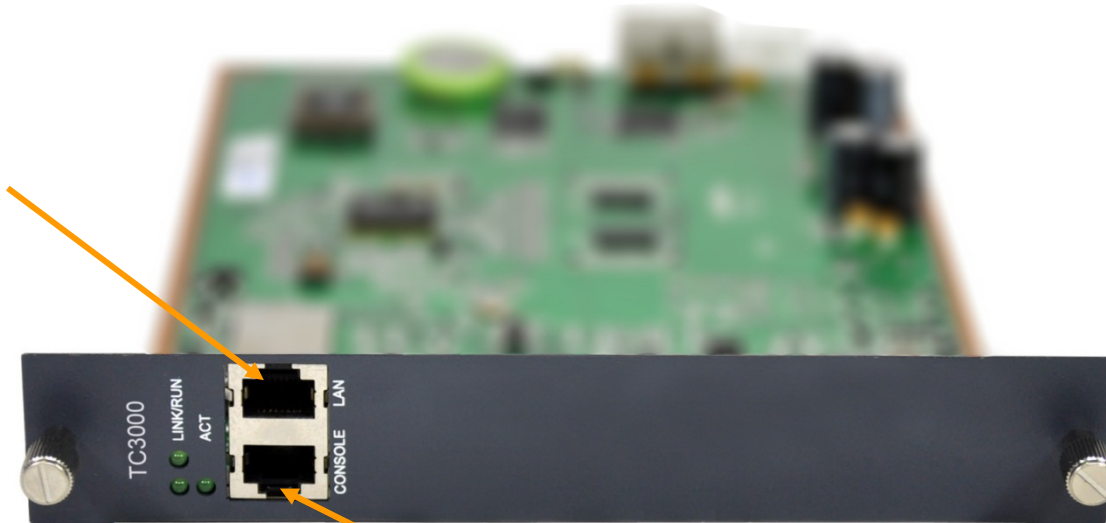
TC3000 H.264 Video Transcoder Module

RISC
CPU

High-End
VP

- **RISC + Video Processor Computing Power**
- **AP-TC3000 Video Module**
 - **Network Interface**
 - One(1) 10/100/1000Mbps Gigabit Ethernet
 - **One(1) RS-232 Console Interface (RJ45)**

Gigabit
Ethernet



RS232C
Console Port

Hardware Specification

TC3000 H.264 Video Transcoder Module

Hardware Specification

AP-NC2000D Front View



AP-NC2000D Backside View



Power On/Off Switch

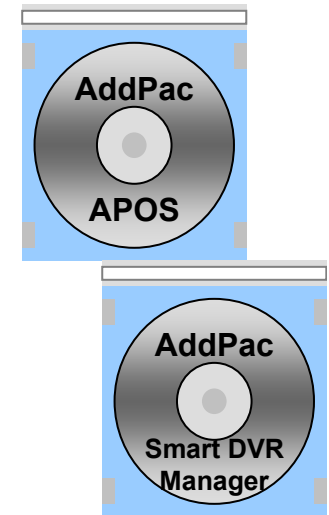
DC Power Supply

TC3000 H.264 Video Transcoder Module

Software Service

TC3000 H.264 Video Transcoder Module

- **Built-in AddPac APOS Internetworking Software**
 - Scalability, Functionality, and Stability Features
 - Full HD Video Transcoding Service Features
 - Video Upscale and Downscaling Service
- **Firmware Upgradeable Architecture**
- **Industry Standard Network Protocol Features**
- **Highly User Friendly Management Features**
 - Smart DVR Manager
 - Telnet or RS-232C based Command Line Interface



Video Transcoding Bit Stream Matrix

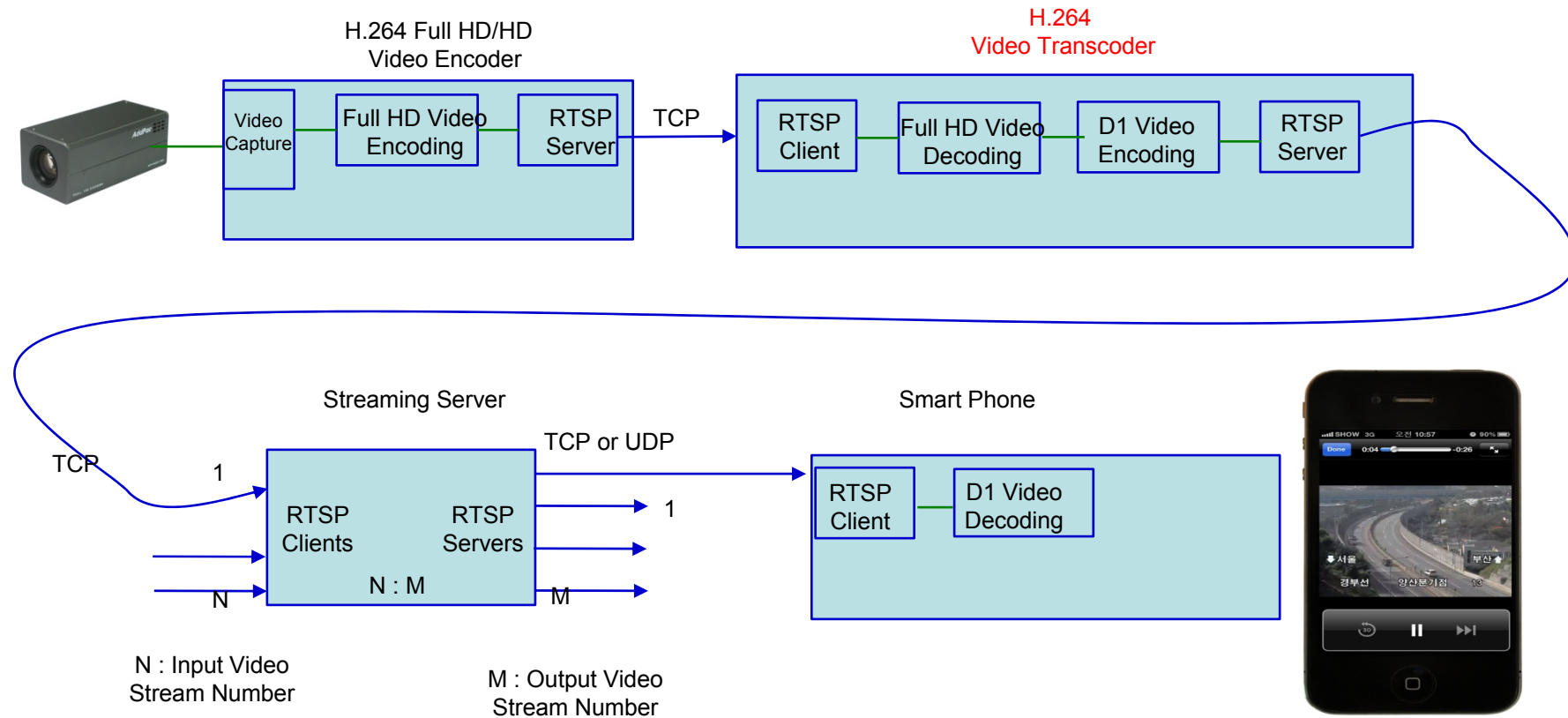
TC3000 H.264 Video Transcoder Module

Video Transcoding Bit Stream Matrix

H.264 Video Input Bit Stream	H.264 Video Output Bit Stream		
Full HD (1080P)	CIF, QVGA	D1, VGA	HD(720P)
HD (720P)	CIF, QVGA	D1,VGA	N/A
D1 (720x480)	CIF, QVGA	N/A	N/A
CIF (352x288)	QVGA	N/A	N/A

RTSP Service Network Diagram

TC3000 H.264 Video Transcoder Module



N : Input Video Stream Number

M : Output Video Stream Number

Example (N : M = 64 : 128)

RTSP Service Features

TC3000 H.264 Video Transcoder Module

- TC3000 Video Decoder Part
 - RTSP Client Mode
 - RTSP/TCP, RTSP/UDP Protocol Support for Error Robust Service
- TC3000 Video Encoder Part
 - RTSP Server Mode
 - RTSP/TCP Protocol Support

Video Codec Service Features

TC3000 H.264 Video Transcoder Module

- TC3000 Video Decoder Part
 - H.264 Full HD(1080) Decoding
 - H.264 HD(720P) Decoding
 - H.264 D1(720x480) Decoding
- TC3000 Video Encoder Part
 - H.264 HD Encoding
 - H.264 D1 Encoding (Option VGA)
 - H.264 CIF Encoding (Option QVGA)

Network Service and Features

TC3000 H.264 Video Transcoder Module

Basic Network Protocols

- ARP, IPv4, TCP, UDP, ICMP, SCTP, IGMP, MLD

Routing Protocol

- IPv4 : Static

Service Protocol

- FTP, Telnet, TFTP, DHCP Server/Relay, SNMP Server
- CDP (Cisco Discovery Protocol)
- DNS Resolver , DDNS(nsupdate)
- Bridge
- Syslog

IPv4 Address Configuration

- Fixed (Static)
- DHCP
- PPPoE

Miscellaneous

- Standard & Extended IPv4 Access List
- Multi-level User Account Management
- IP accounting

Ordering Information

- **TC3000 H.264 Video Transcoder Module**
 - Main Chassis (Option) : AP-NC2000D, AP-NC2000, AP-NC3000, AP-NC5000
 - TC3000 H.264 Video Transcoder Module
 - Including Network Cable Set & Power Supply Cable, etc
- **Built-in APOS Internetworking Software for TC3000 Module**
- **Including 1 Year Hardware Warranty**
- **Product Documents**
 - Install and Operation Guide (PDF)
- **Pricing**
 - AddPac Technology Regional Sales Manager
 - Authorized Sales and Marketing Representatives
 - Please Contact www.addpac.com



Thank you!

AddPac Technology Co., Ltd.
Sales and Marketing

Phone +82.2.568.3848 (KOREA)

FAX +82.2.568.3847 (KOREA)

E-mail sales@addpac.com