

# AV6000

## Full HD Video Codec Module High-performance Network HD DVR Solution

### Preliminary Product Overview

(Without notice, following described technical spec. can be changed)



**AddPac**

**AddPac Technology**

Sales and Marketing

[www.addpac.com](http://www.addpac.com)

# Contents

- Product Overview
- Hardware Specification
- Software Service
- Concurrent Triple Bit-Stream Matrix
- RTSP Service Network Diagram
- RTSP Service Features
- Video Codec Service Features
- Network Service and Features
- Ordering Information

# Product Overview

## AV6000 Full HD Video Codec Module

- Full HD (1080i) Video Encoding/Decoding Service Features
- Video Codec : H.264 HP/MP/BP
- Video Input Interface : HDMI, HD-SDI, Analog (NTSC, PAL)
- Video Output Interface : HDMI, HD-SDI, Analog (NTSC, PAL)
- Dual Bit Streaming Support
- RTSP/RTP, TCP/UDP Protocol Support
- IP based Network Surveillance Solution
- High-performance Video, Audio, and Voice Service
- Firmware Upgradeable Architecture
- Video Solution with Outstanding Network Service Capability
- Web based Management Service
- AP-NC2000D, AP-NC2000, AP-NC3000, AP-NC5000 Platform Available

# Hardware Specification

## AV6000 Full HD Video Codec Module

RISC  
CPU

High-End  
VP

- **RISC + Video Processor Computing Power**
- **AP-AV6000 Video Module**
  - **Network Interface**
    - One(1) 10/100/1000Mbps Gigabit Ethernet
  - **Video Interface**
    - One(1) Channel HD-SDI Input
    - One(1) Channel HDMI Input
    - One(1) Channel CVBS Input or Output (selected by DIP Switch)
    - One(1) Channel HD-SDI Output
    - One(1) Channel HDMI Output
  - **One(1) RS-232 Console Interface (RJ45)**
  - **Camera Control Interface**
    - One(1) RS-232C, RS422, RS485 Interface for External Camera Control
  - **I/O Interface**
    - Two(2) Alarm Input /One(1) Relay Out

# Hardware Specification

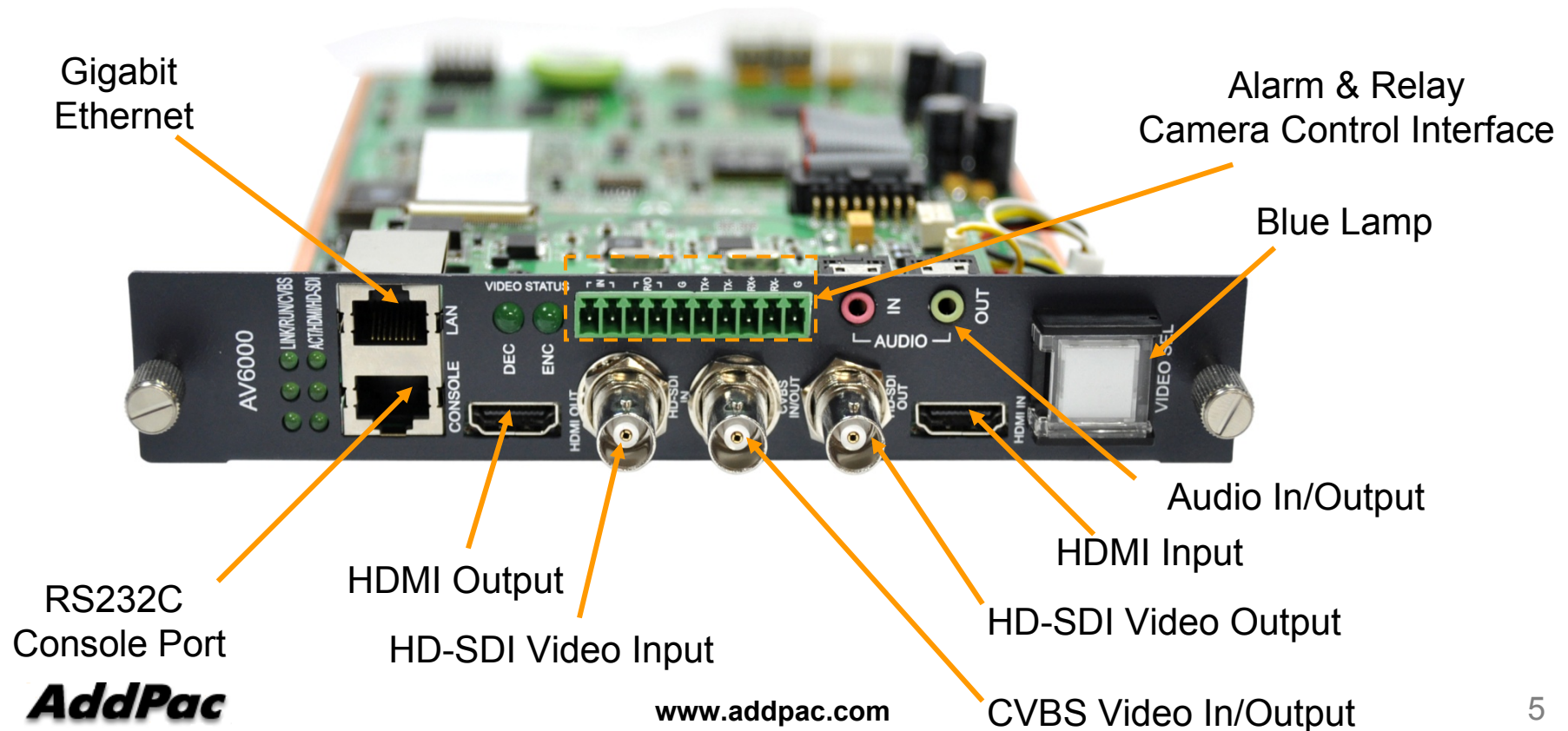
AV6000 Full HD Video Codec Module

RISC  
CPU

High-End  
VP

## Hardware Module Specification

AV6000 HD Video Encoder/Decoder Module(H.264)



# Hardware Specification

## AV6000 Full HD Video Codec Module

### Hardware Specification

AP-NC2000D Front View



AV6000 HD Video Module



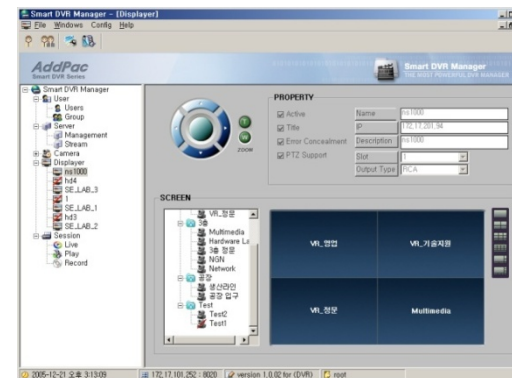
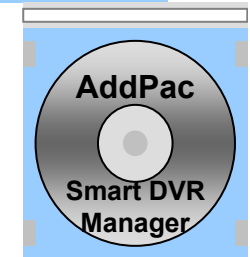
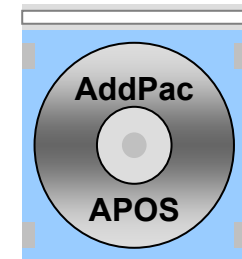
Power On/Off Switch  
[www.addpac.com](http://www.addpac.com)

DC Power Supply

# Software Service

## AV6000 Full HD Video Codec Module

- **Built-in AddPac APOS Internetworking Software**
  - Scalability, Functionality, and Stability Features
  - Full HD Video Encoding/Decoding Service Features
  - Video Upscale and Downscaling Service
- **Firmware Upgradeable Architecture**
- **Industry Standard Network Protocol Features**
- **Highly User Friendly Management Features**
  - Smart DVR Manager
  - Telnet or RS-232C based Command Line Interface



# Concurrent Triple Bit Stream Matrix

AV6000 Full HD Video Codec Module

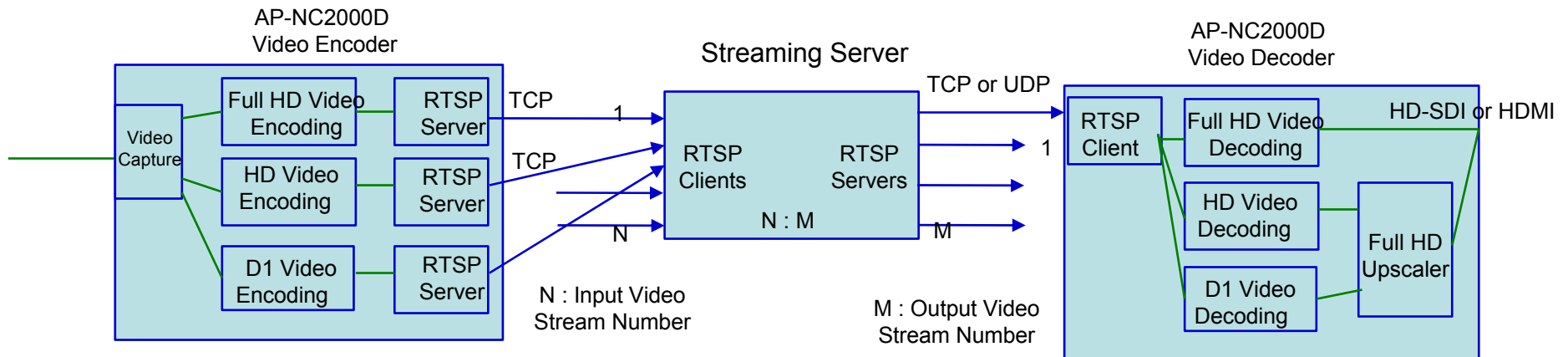
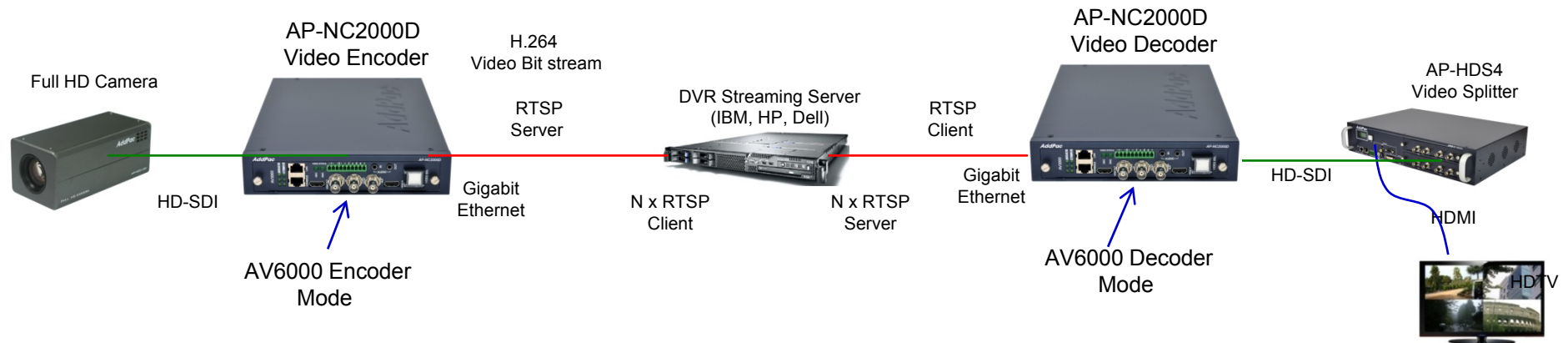
## Triple Video Encoding Bit Stream Matrix

Video Input	Concurrent Video Encoding Bit Stream			
	CIF	D1	HD(720P)	FULL HD (1080i)
Analog Video Input (NSTC/PAL)	Available	Available	N/A	N/A
HD-SDI Video Input (720P)	Option	Available	Available	N/A
HD-SDI Video Input (1080i)	Option	Available	Available	Available



# RTSP Service Network Diagram

## AV6000 Full HD Video Codec Module



Example (N : M = 64 : 128)

# RTSP Service Features

## AV6000 Full HD Video Codec Module

- AV6000 Video Encoder Mode
  - RTSP Server Mode
  - Multi-Channel RTSP Server Mode  
(Full HD, HD, D1 Triple Encoding Mode or Dual Full HD, HD, etc)
  - RTSP, TCP Protocol Support for Error Robust Service
- AV6000 Video Decoder Mode
  - RTSP Client Mode
  - RTSP/TCP or RTSP/UDP Mode Support

# Video Codec Service Features

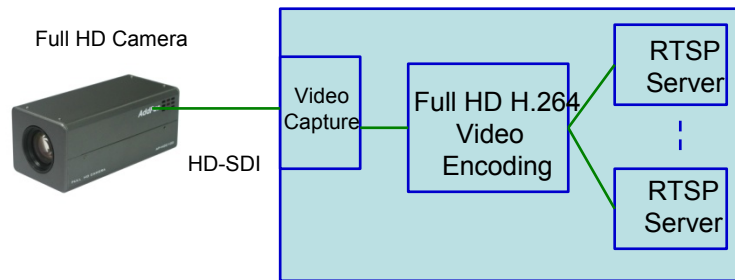
## AV6000 Full HD Video Codec Module

- AV6000 Video Encoder Mode
  - H.264 Full HD(1080i) Single Encoding (HD-SDI Input)
  - H.264 HD(720P) Single Encoding (HD-SDI Input)
  - H.264 D1(720x480) Single Encoding(Analog Input, HD-SDI Input 720P)
  - H.264 Full HD, HD Dual Encoding(HD-SDI Input)
  - **H.264 Full HD, HD, D1 Triple Encoding (HD-SDI Input)**
  - H.264 Full HD, D1 Dual Encoding (HD-SDI Input)
  - H.264 HD, D1 Dual Encoding (HD-SDI Input)
- AV6000 Video Decoder Mode
  - H.264 Full HD
  - H.264 HD, Upscale to Full HD
  - H.264 D1, Upscale to Full HD

# Video Codec Service Features

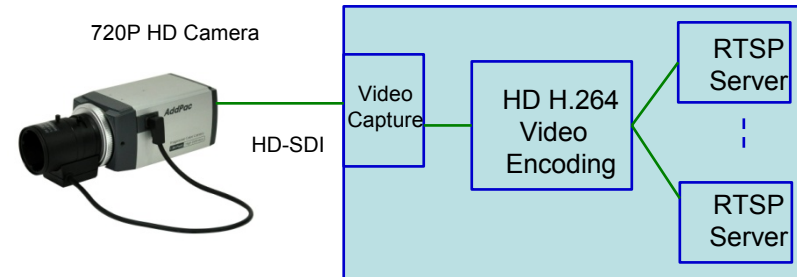
## AV6000 Full HD Video Codec Module

### AP-NC2000D Video Encoder



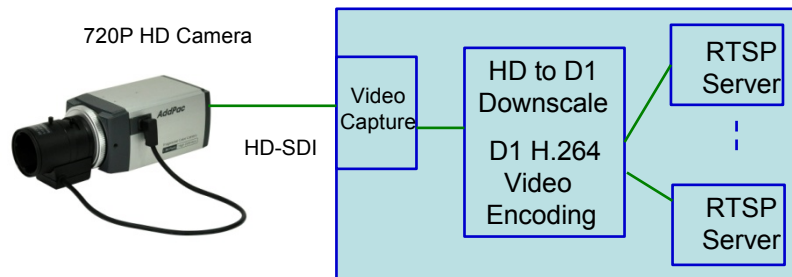
Single Full HD H.264 Video Encoding

### AP-NC2000D Video Encoder



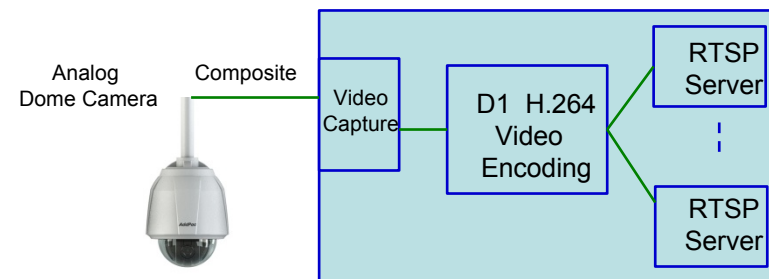
Single HD H.264 Video Encoding

### AP-NC2000D Video Encoder



Single D1 H.264 Video Encoding

### AP-NC2000D Video Encoder

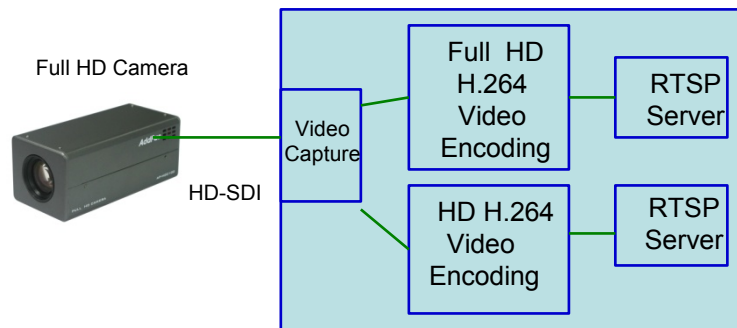


Single D1 H.264 Video Encoding

# Video Codec Service Features

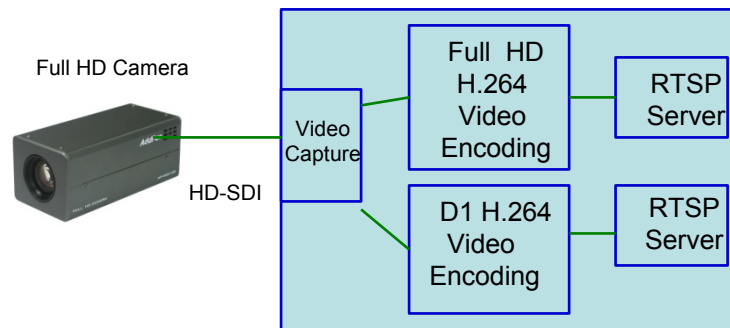
## AV6000 Full HD Video Codec Module

### AP-NC2000D Video Encoder

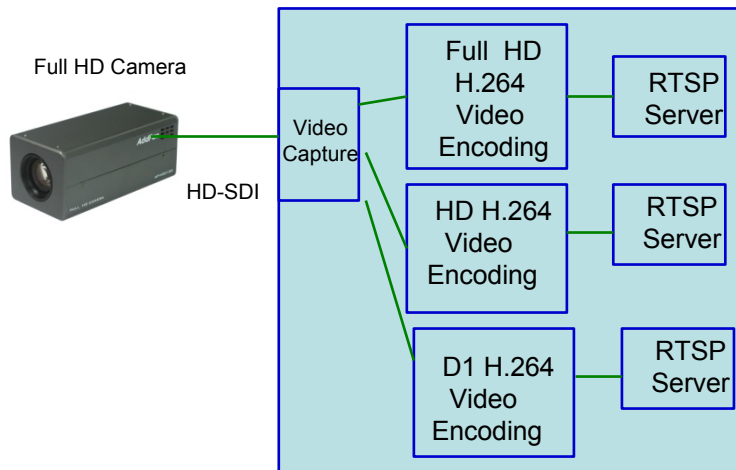


H.264 Full HD, HD Dual Video Encoding

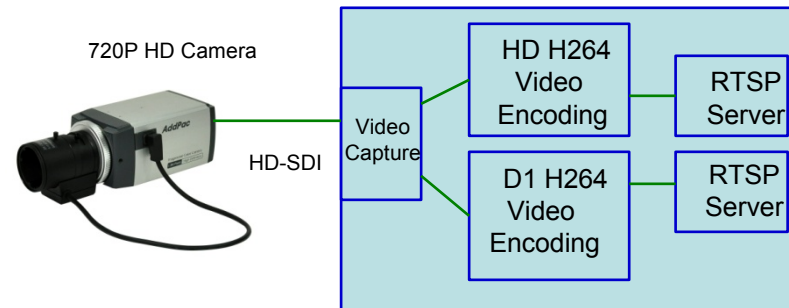
### AP-NC2000D Video Encoder



H.264 Full HD, D1 Dual Video Encoding



H.264 Full HD, HD, D1 Triple Video Encoding



H.264 HD, D1 Dual Video Encoding

# Network Service and Features

## AV6000 Full HD Video Codec Module

### Basic Network Protocols

- ARP, IPv4, TCP, UDP, ICMP, SCTP, IGMP, MLD

### Routing Protocol

- IPv4 : Static

### Service Protocol

- FTP, Telnet, TFTP, DHCP Server/Relay, SNMP Server
- CDP (Cisco Discovery Protocol)
- DNS Resolver , DDNS(nsupdate)
- Bridge
- Syslog

### IPv4 Address Configuration

- Fixed (Static)
- DHCP
- PPPoE

### Miscellaneous

- Standard & Extended IPv4 Access List
- Multi-level User Account Management
- IP accounting

# Ordering Information

- **AV6000 Full HD Video Codec Module**
  - Main Chassis (Option) : AP-NC2000D, AP-NC2000, AP-NC3000, AP-NC5000
  - AP6000 Full HD Video Codec Module
  - Including Network Cable Set & Power Supply Cable, etc
- **Built-in APOS Internetworking Software for AV6000 Module**
- **Including 1 Year Hardware Warranty**
- **Product Documents**
  - Install and Operation Guide (PDF)
- **Pricing**
  - AddPac Technology Regional Sales Manager
  - Authorized Sales and Marketing Representatives
  - Please Contact [www.addpac.com](http://www.addpac.com)



# Thank you!

**AddPac Technology Co., Ltd.**  
Sales and Marketing

Phone +82.2.568.3848 (KOREA)

FAX +82.2.568.3847 (KOREA)

E-mail [sales@addpac.com](mailto:sales@addpac.com)