

# AP-SDS5000

## HD Streaming Server

High-performance HD Network Surveillance Solution



**AddPac**

**AddPac Technology**

Sales and Marketing

[www.addpac.com](http://www.addpac.com)

# Contents

- Product Overview
- Benefits and Features
- Hardware Specification
- Software Service
- RTSP based Streaming Service Diagram
- Network Service and Features
- Application
- Ordering Information

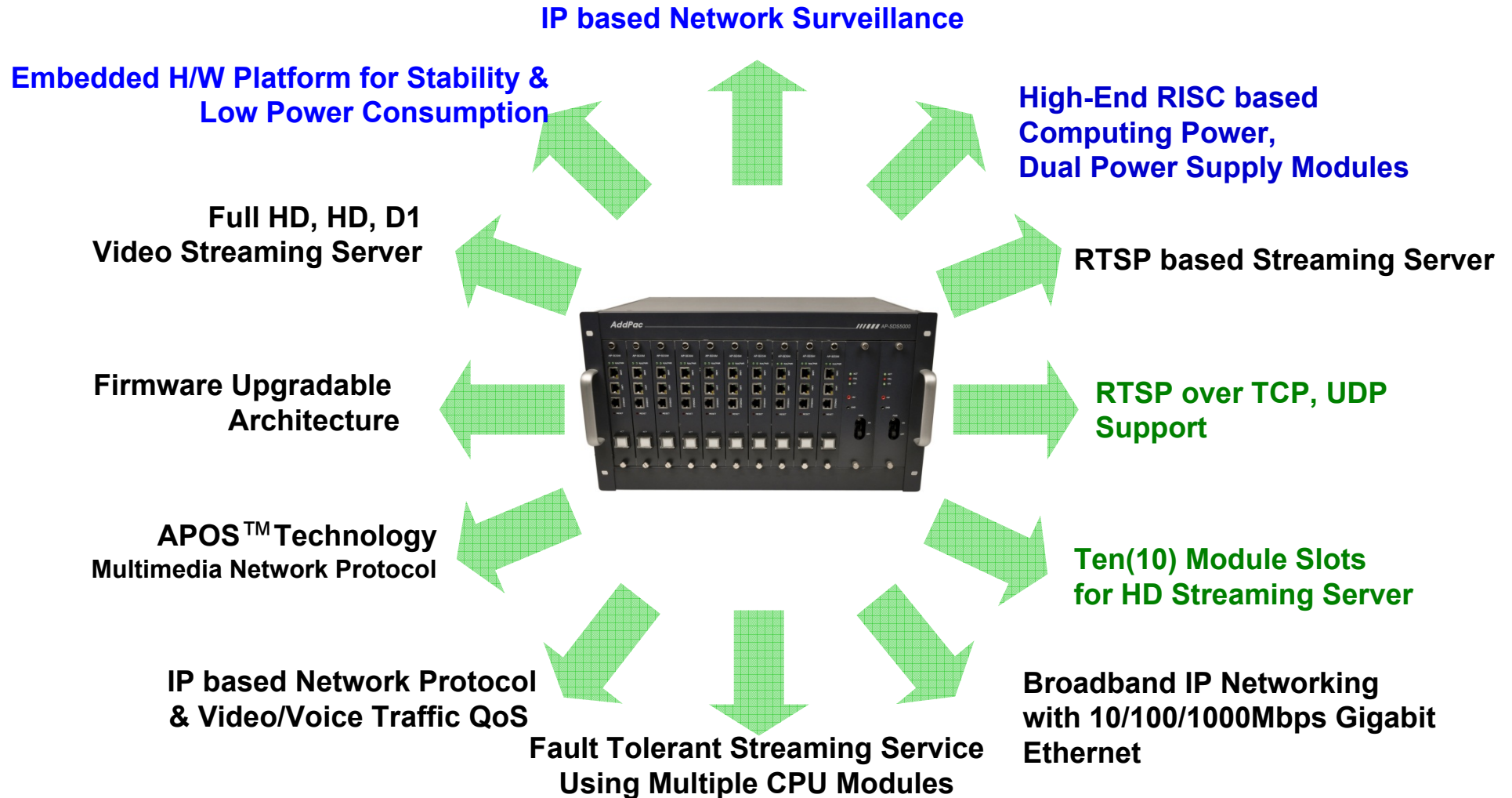
# Product Overview

## AP-SDS5000 HD Streaming Server

- Large Scale HD Video Streaming Server
- RTSP based Full HD/HD/D1 Streaming Server
- Embedded H/W Platform with CPU Module Slots
- Up to Ten(10) CPU Module Expansion
- Fault Tolerant and Reliability Service
- RTSP Server & Client Architecture
- HD Video Encoder, HD Video Decoder, HD Storage Server, HD Display Server RTSP based Interworking
- Load Balance using RTSP Redirect Service
- Server Function for Web based Smart DVR Manager
- HD Video Solution with Outstanding Network Service Capability
- Module Type Power Redundancy

# Product Highlights

AP-SDS5000 HD Streaming Server



# Benefits and Features

## AP-SDS5000 HD Streaming Server

- RTSP based Streaming Service for Full HD, HD, D1 Video Bit Stream
- TCP/UDP Transport Protocol Support
- Ten(10) Module Slots for HD Streaming Server
- Module based Architecture for Small-to-Large Scale Video Service
- Scalability for Large Scale Network Video Surveillance
- Embedded Streaming Service Module
- Fault Tolerant and High Reliability Service using Ten(10) Streaming Service CPU Module
- Load Balance and Hot-Swap Service
- IP based Network Protocol Support
- Video Application
  - Network Surveillance Solution

# Hardware Specification

AP-SDS5000 HD Streaming Server

High-end  
DSP

- High-end Programmable RISC Hardware Architecture
- Ten(10) Module Slots for HD Streaming Service
- Smart DVR Streaming Service Module (AP-SDSM)
  - Network Interface
    - Two(2) 10/100/1000Mbps Gigabit Ethernet
    - One(1) Console Port

# Hardware Specification

## AP-SDS5000 HD Streaming Server

High-end  
**RISC**

### AP-SDS5000 Front View



HD Streaming Service Module

Power Supply Module

# Hardware Specification

AP-SDS5000 HD Streaming Server

High-end  
**RISC**

AP-SDS5000 Back Side View



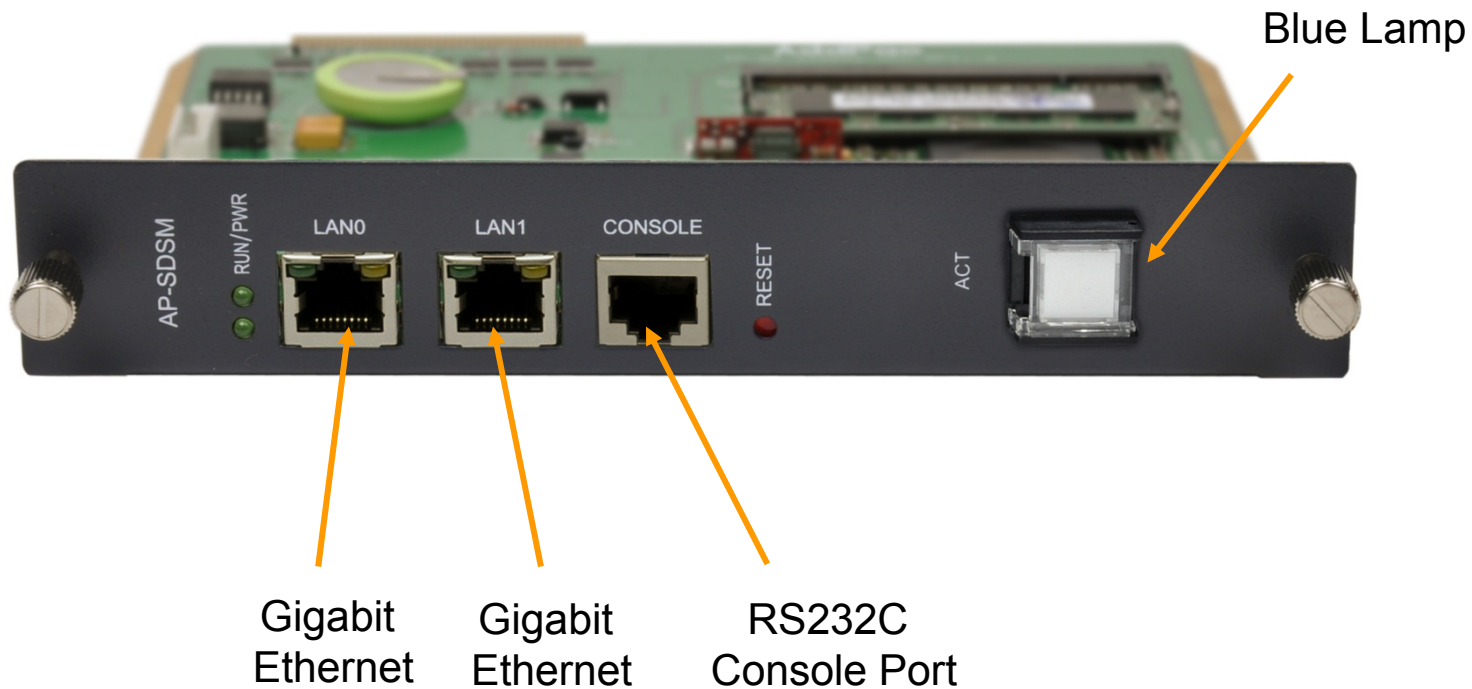


# Hardware Specification

AP-SDS5000 HD Streaming Server

High-end  
DSP

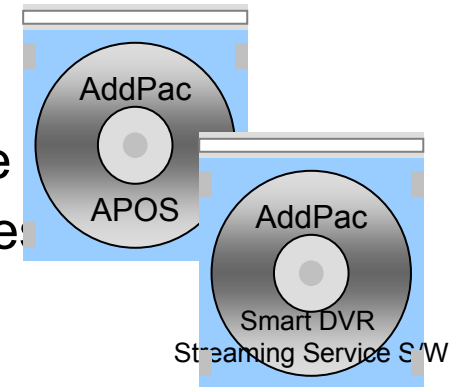
## AP-SDSM Streaming Service Module



# Software Service

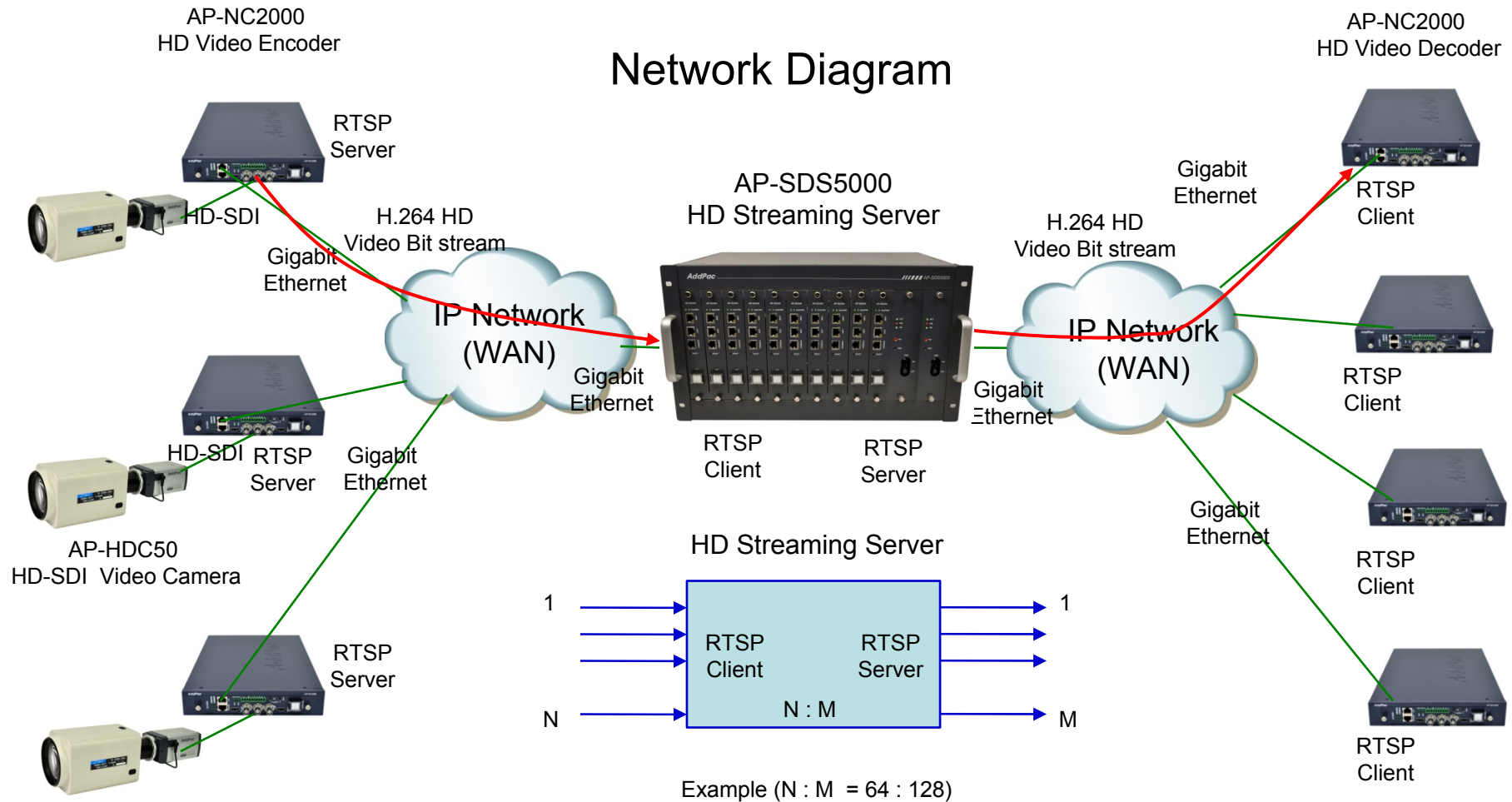
## AP-SDS5000 HD Streaming Server

- Built-in AddPac APOS Internetworking Software
  - Scalability, Functionality, and Stability Features
  - Video Traffic QoS Control
- Firmware Upgradeable RISC Computing Architecture
- Industry Standard IP based Network Protocol Features
- RTSP based HD Streaming Service
  - Server and Client Architecture
  - TCP/UDP RTSP server/client support
  - Various RTSP Device Support (Video Encoder/Decoder, Recording Server, Display System, etc)
- Smart DVR Management Software
- Smart NMS (Network Management System) for DVR Solution



# RTSP based Streaming Service Diagram

## AP-SDS5000 HD Streaming Server



# Network Service and Features

AP-SDS5000 HD Streaming Server

- RTSP (Real Time Streaming Protocol)
  - TCP transport
  - [Session Description Protocol](#) (SDP)
- Load balance
  - 302 Moved Temporarily
  - REDIRECT method (Optional, when the client support REDIRECT)
- Video and Audio Support
  - Video Only
  - Audio Only
  - Video + Audio

# Network Service and Features

## AP-SDS5000 HD Streaming Server

- Network Managements
  - Standard SNMP Agent (MIB v2) Support
  - Remote Management using Console, Telnet
  - Web based Management using HTTP Server Interface
- Security Functions
  - Standard & Extended IP Access List
  - Enable/Disable for Specific Network Protocols
  - Multi-level User Account Management
  - Auto-disconnect for Telnet/Console Sessions
  - PPP User Authentication Supports (PAP & CHAP)
- Operation & Managements
  - System Performance Analysis for Process, CPU, Connection Interface
  - Debugging, System Auditing, and Diagnostics Support
  - System Booting and Auto-rebooting with Watchdog Feature
  - System Managements with Data Logging
  - IP Traffic Statistics with Accounting

# Network Service and Features

## AP-SDS5000 HD Streaming Server

- Other Scalability Features
  - DHCP Server & Relay Functions
  - Network Address Translation (NAT) Function
  - Port Address Translation (PAT) Function
  - Transparent Bridging (IEEE Standard) Function
    - Spanning Tree Bridging Protocol Support
    - Remote Bridging Support
    - Concurrent Routing and Bridging Support
  - Cisco Style Command Line Interface (CLI)
  - Network time Protocol (NTP) Support

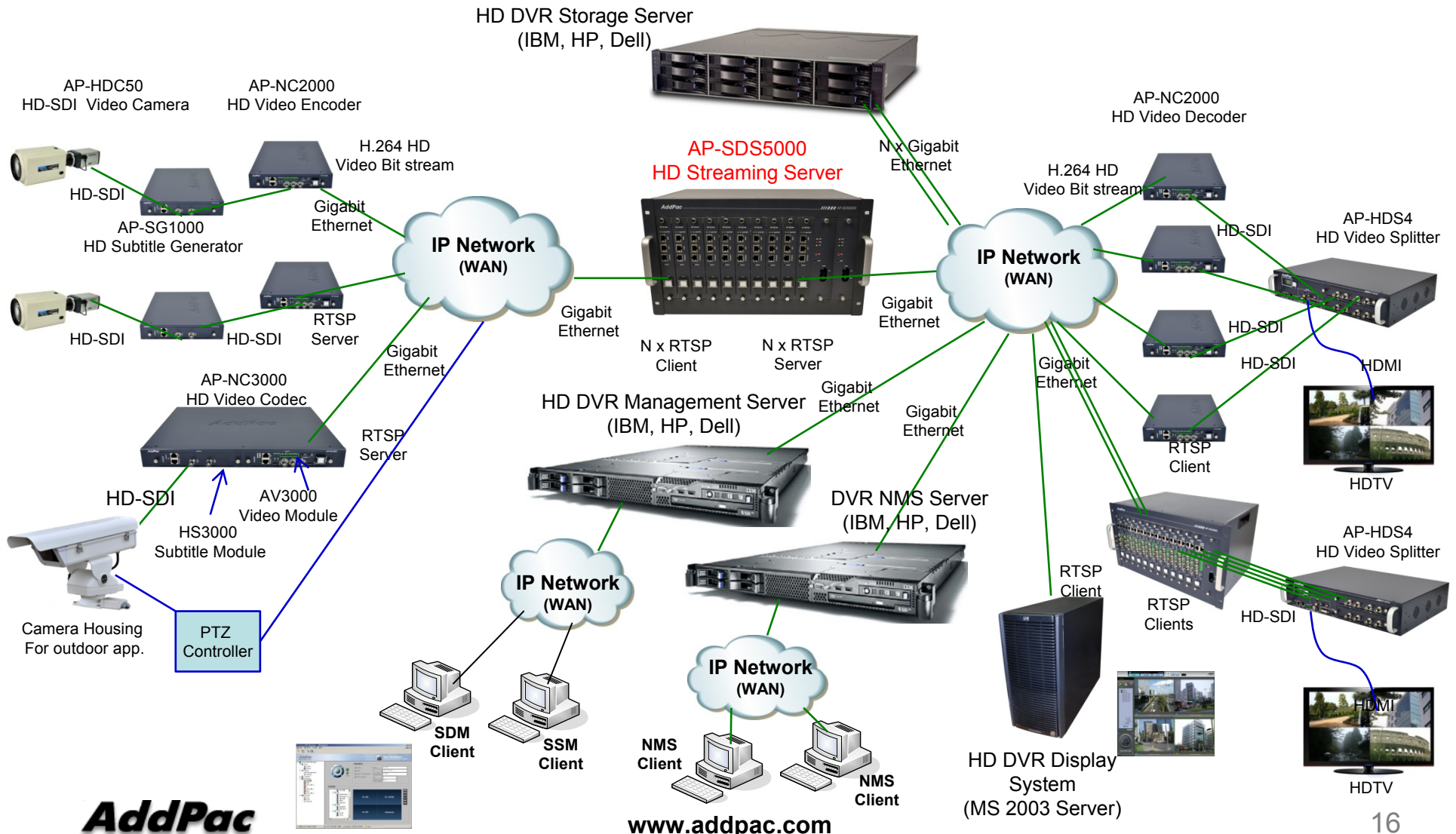
# Application

- AddPac HD Network DVR Service Diagram
- AddPac D1 Network DVR Service Diagram



# HD Network DVR Service Diagram

## AP-SDS5000 HD Streaming Server



**AddPac**

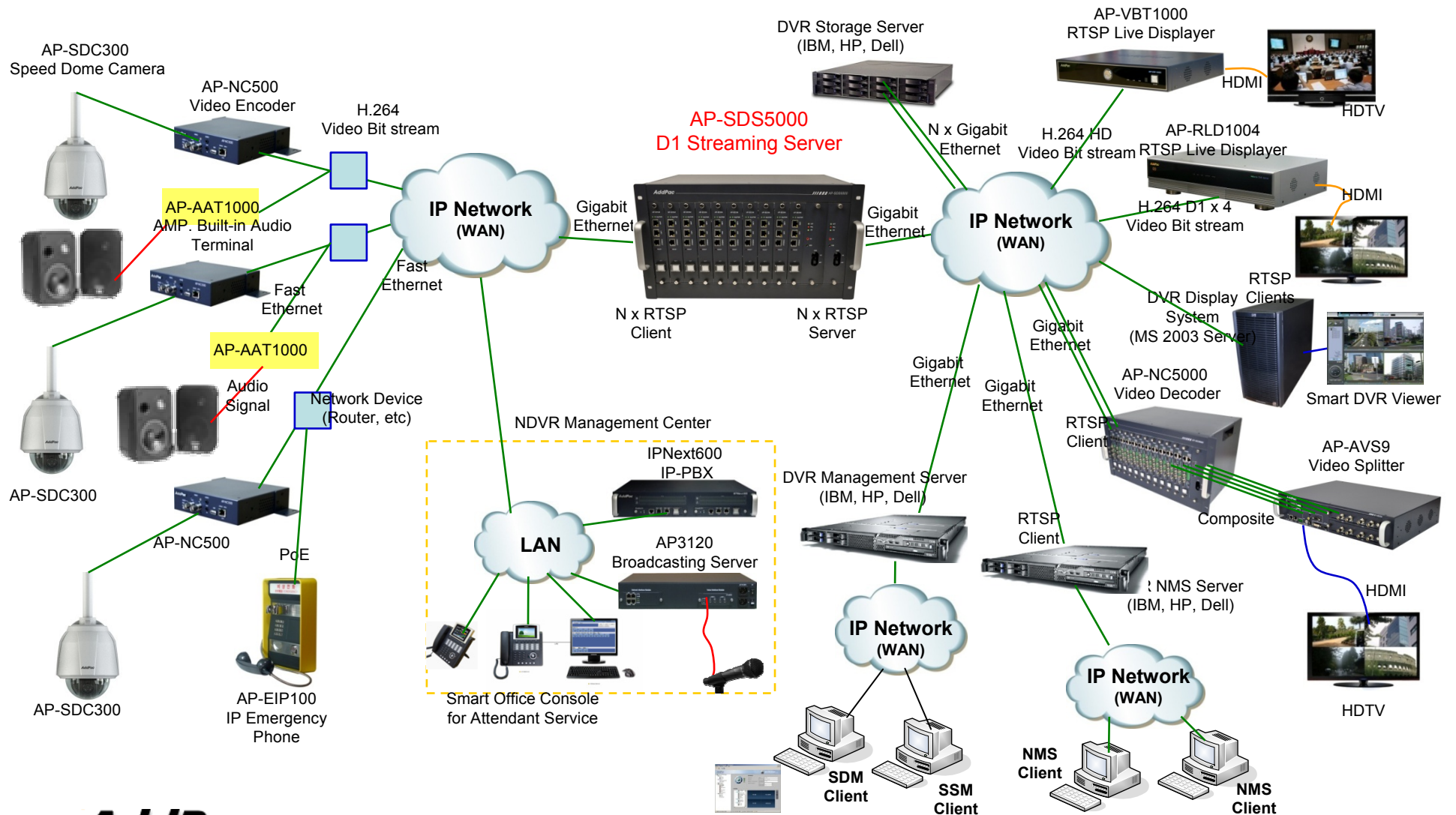


[www.addpac.com](http://www.addpac.com)



# D1 Network DVR Service Diagram

AP-SDS5000 HD Streaming Server



# Ordering Information

- **AP-SDS5000 HD Streaming Server Hardware Platform**
  - Embedded H/W Platform
  - Programmable RISC Architecture
  - Ten(10) HD Streaming Service Module Slots
  - Dual Power Supply Module
- **AP-SDSM** : Smart DVR Streaming Service Module
- **Built-in APOS Internetworking Software for AP-SDS5000**
- **Including 1 Year Hardware Warranty**
- **Product Documents**
  - Install and Operation Guide (PDF)
- **Pricing**
  - AddPac Technology Regional Sales Manager
  - Authorized Sales and Marketing Representatives
  - Please Contact [www.addpac.com](http://www.addpac.com)



# Thank you!

**AddPac Technology Co., Ltd.**  
Sales and Marketing

Phone +82.2.568.3848 (KOREA)

FAX +82.2.568.3847 (KOREA)

E-mail [sales@addpac.com](mailto:sales@addpac.com)