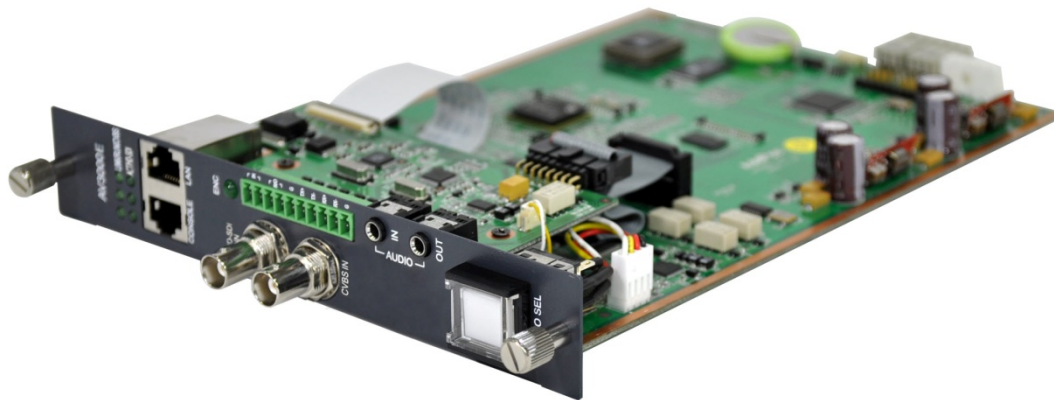


AV3000E

D1/HD Dual Interface Video Encoder Module
High-performance Network DVR Solution for D1 to
HD Resolution Migration

Preliminary Product Overview

(Without notice, following described technical spec. can be changed)



AddPac

AddPac Technology

Sales and Marketing

www.addpac.com

Contents

- Product Overview
- Hardware Specification
- Software Service
- Concurrent Bit-Stream Matrix
- RTSP Service Network Diagram
- RTSP Service Features
- Video Codec Service Features
- Network Service and Features
- Ordering Information

Product Overview

AV3000E D1/HD Dual Interface Video Encoder Module

- HD(720P) Video Encoding Service Features
- D1 Video Encoding Service Features
- D1 to HD Resolution Migration Solution
- Video Codec : H.264 HP/MP/BP
- Video Input Interface : HD-SDI, Analog (NTSC, PAL)
- Dual Bit Streaming Support
- RTSP/RTP, TCP/UDP Protocol Support
- IP based Network Surveillance Solution
- High-performance Video, Audio, and Voice Service
- Firmware Upgradeable Architecture
- Video Solution with Outstanding Network Service Capability
- Web based Management Service
- AP-NC2000D, AP-NC2000, AP-NC3000, AP-NC5000 Platform Available

Hardware Specification

AV3000E D1/HD Dual Interface Video Encoder Module

RISC
CPU

High-End
VP

- RISC + Video Processor Computing Power
- AV3000E Video Encoder Module
 - Network Interface
 - One(1) 10/100/1000Mbps Gigabit Ethernet
 - Video Interface
 - One(1) Channel HD-SDI Input
 - One(1) Channel CVBS Input for NSTC, PAL Analog Interface
 - One(1) RS-232 Console Interface (RJ45)
 - Camera Control Interface
 - One(1) RS-232C, RS422, RS485 Interface for External Camera Control
 - I/O Interface
 - Two(2) Alarm Input /One(1) Relay Out

Hardware Specification

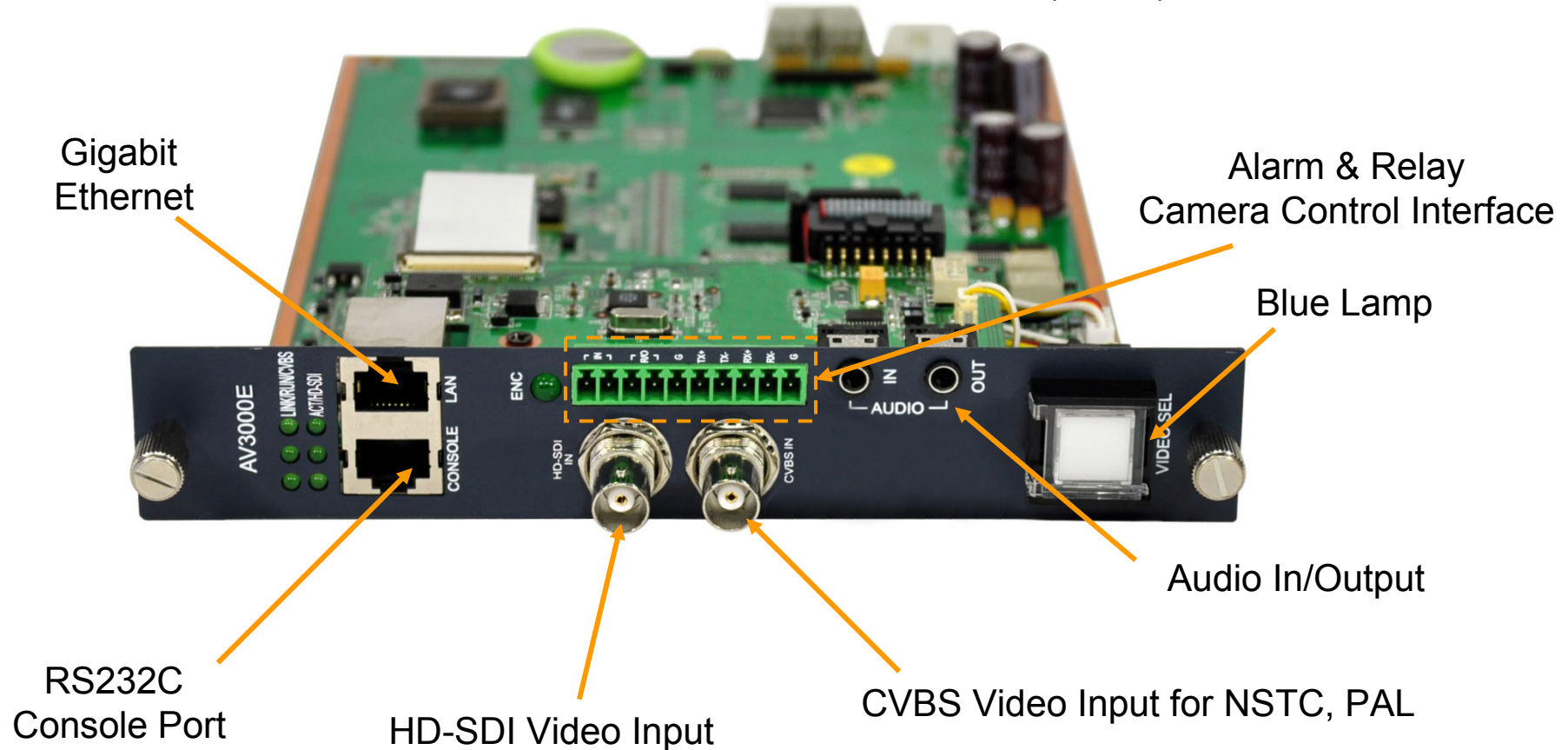
AV3000E D1/HD Dual Interface Video Encoder Module

RISC
CPU

High-End
VP

Hardware Module Specification

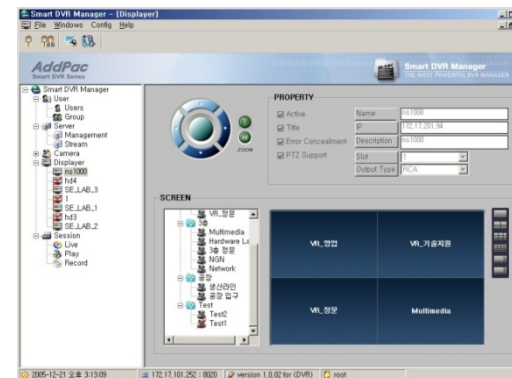
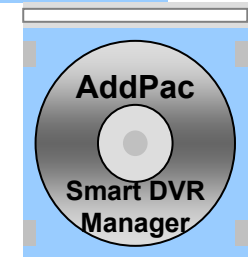
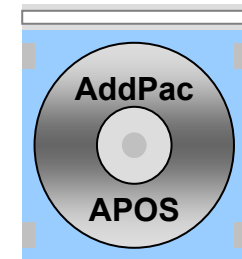
AV3000E D1/HD Video Encoder Module(H.264)



Software Service

AV3000E D1/HD Dual Interface Video Encoder Module

- Built-in AddPac APOS Internetworking Software
 - Scalability, Functionality, and Stability Features
 - Full HD Video Encoding/Decoding Service Features
 - Video Upscale and Downscaling Service
- Firmware Upgradeable Architecture
- Industry Standard Network Protocol Features
- Highly User Friendly Management Features
 - Smart DVR Manager
 - Telnet or RS-232C based Command Line Interface



Concurrent Bit Stream Matrix

AV3000E D1/HD Dual Interface Video Encoder Module

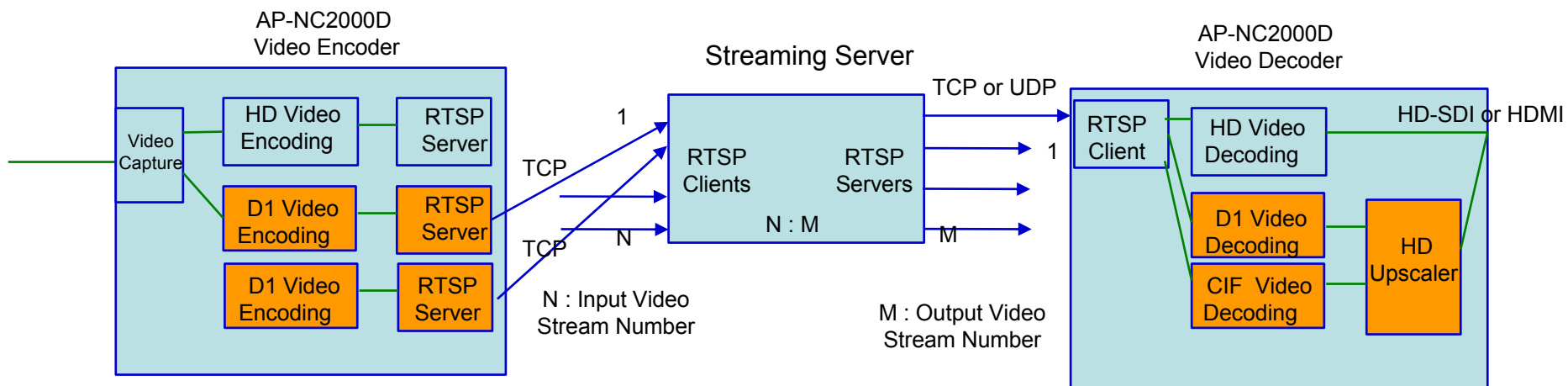
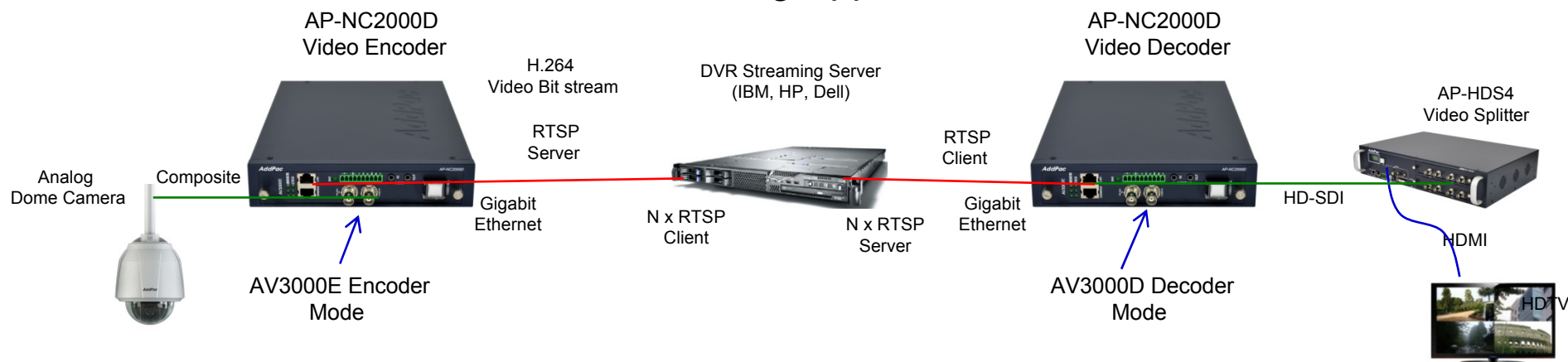
Video Encoding Bit Stream Matrix

Video Input	Video Encoding Bit Stream		
	CIF	D1	HD(720P)
Analog Video Input (NSTC/PAL)	Available	Available	N/A
HD-SDI Video Input (720P)	Option	Available	Available

RTSP Service Network Diagram

AV3000E D1/HD Dual Interface Video Encoder Module

D1 Analog Application

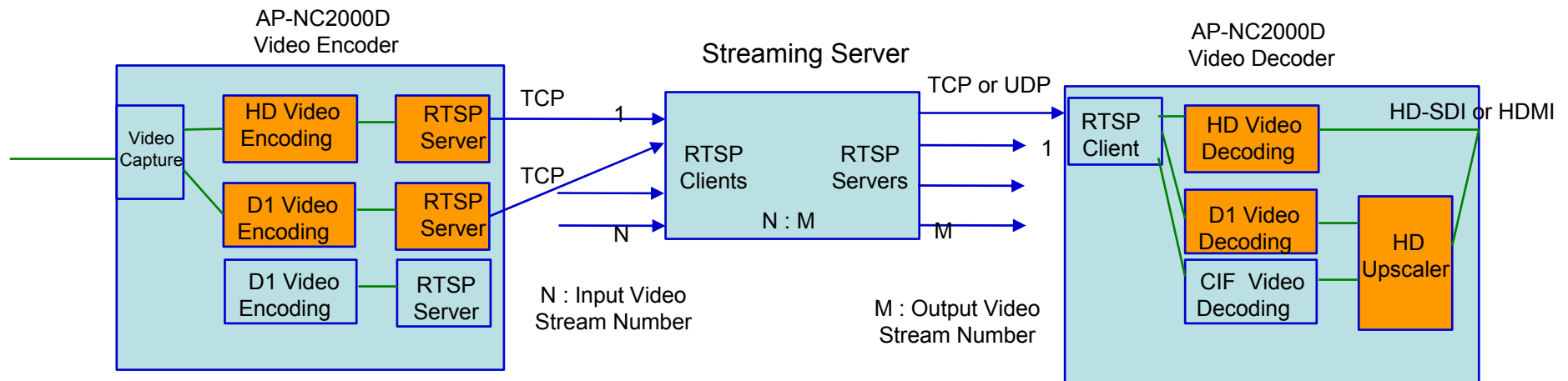
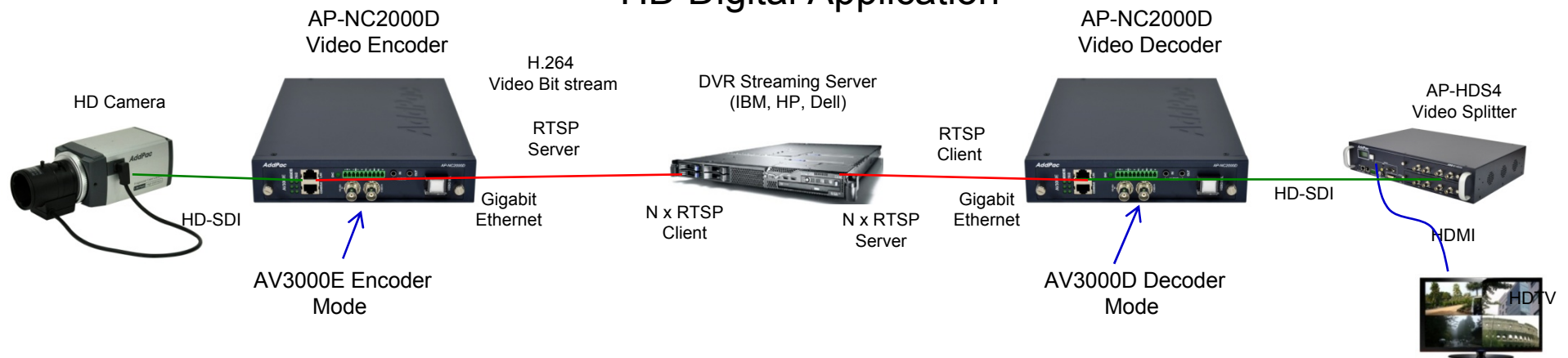


Example (N : M = 64 : 128)

RTSP Service Network Diagram

AV3000E D1/HD Dual Interface Video Encoder Module

HD Digital Application



Example (N : M = 64 : 128)

RTSP Service Features

AV3000E D1/HD Dual Interface Video Encoder Module

- AV3000E Video Encoder Mode
 - RTSP Server Mode
 - Multi-Channel RTSP Server Mode
(HD, D1 Encoding Mode or D1,CIF Encoding Mode, etc)
 - RTSP, TCP Protocol Support for Error Robust Service

Video Codec Service Features

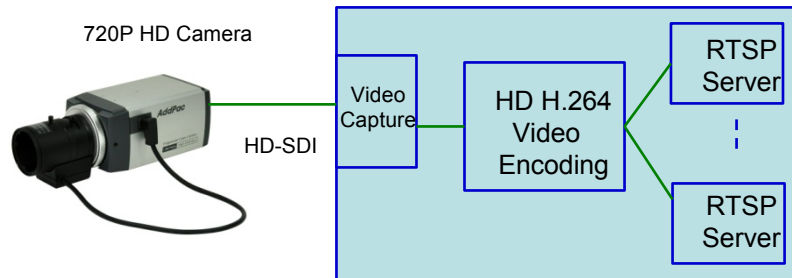
AV3000E D1/HD Dual Interface Video Encoder Module

- AV3000E Video Encoder Mode
 - H.264 HD(720P) Single Encoding (HD-SDI Input)
 - H.264 D1(720x480) Single Encoding(Analog Input, HD-SDI Input 720P)
 - H.264 HD, D1 Dual Encoding (HD-SDI Input)
 - H.264 D1, CIF Dual Encoding(Analog Input)

Video Codec Service Features

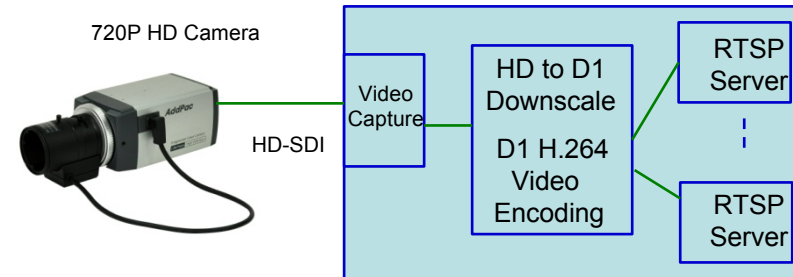
AV3000E D1/HD Dual Interface Video Encoder Module

AP-NC2000D Video Encoder



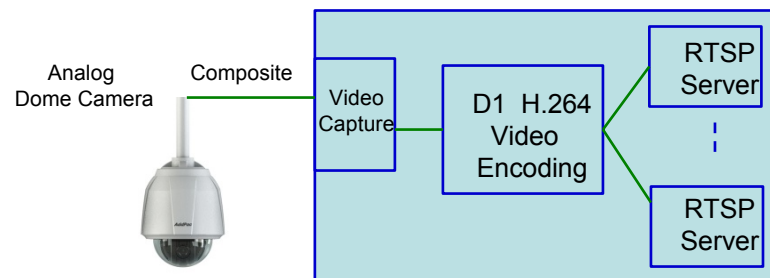
Single HD H.264 Video Encoding

AP-NC2000D Video Encoder

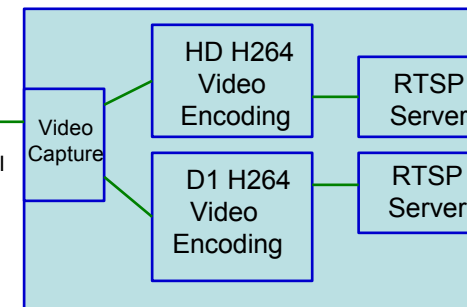


Single D1 H.264 Video Encoding

AP-NC2000D Video Encoder



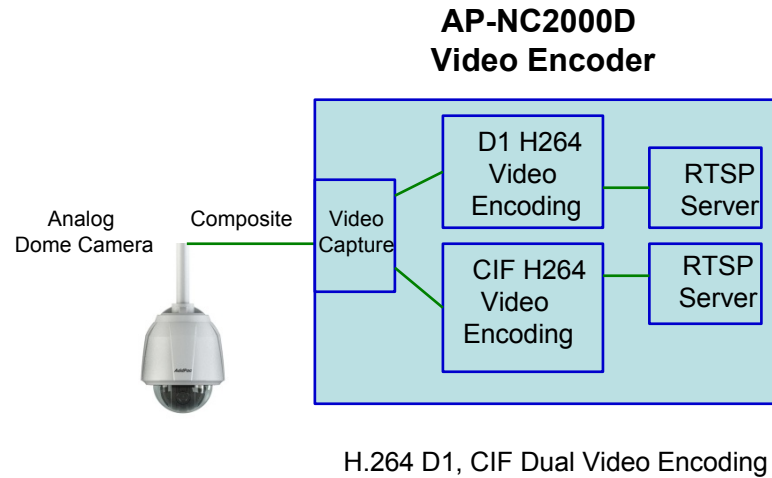
Single D1 H.264 Video Encoding



H.264 HD, D1 Dual Video Encoding

Video Codec Service Features

AV3000E D1/HD Dual Interface Video Encoder Module



Network Service and Features

AV3000E D1/HD Dual Interface Video Encoder Module

Basic Network Protocols

- ARP, IPv4, TCP, UDP, ICMP, SCTP, IGMP, MLD

Routing Protocol

- IPv4 : Static

Service Protocol

- FTP, Telnet, TFTP, DHCP Server/Relay, SNMP Server
- CDP (Cisco Discovery Protocol)
- DNS Resolver , DDNS(nsupdate)
- Bridge
- Syslog

IPv4 Address Configuration

- Fixed (Static)
- DHCP
- PPPoE

Miscellaneous

- Standard & Extended IPv4 Access List
- Multi-level User Account Management
- IP accounting

Ordering Information

- **AV3000E D1/HD Dual Interface Video Encoder Module**
 - Main Chassis (Option) : AP-NC2000D, AP-NC2000, AP-NC3000, AP-NC5000
 - Including Network Cable Set & Power Supply Cable, etc
- **Built-in APOS Internetworking Software for AV3000E Module**
- **Including 1 Year Hardware Warranty**
- **Product Documents**
 - Install and Operation Guide (PDF)
- **Pricing**
 - AddPac Technology Regional Sales Manager
 - Authorized Sales and Marketing Representatives
 - Please Contact www.addpac.com



Thank you!

AddPac Technology Co., Ltd.
Sales and Marketing

Phone +82.2.568.3848 (KOREA)

FAX +82.2.568.3847 (KOREA)

E-mail sales@addpac.com