

# AP-VAC200

## IP Video Door Phone

High Performance Fingerprint Recognition  
IP Video Door Phone Solution



Group Dial Service

**AddPac**

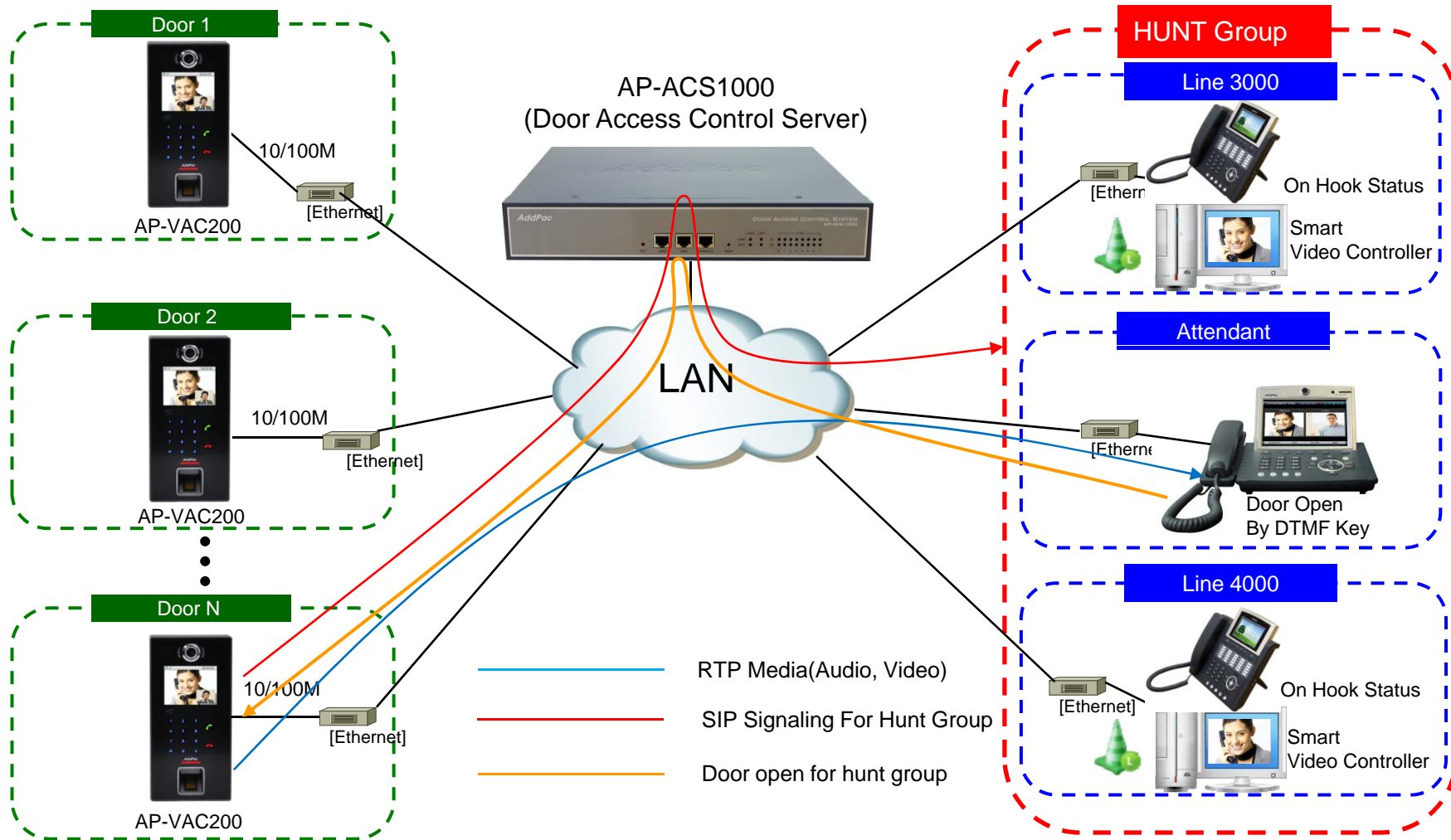
**AddPac Technology**

2013, Sales and Marketing

# Contents

- Door Open for Hunt Group Diagram
- Group Dial Configuration
- Door Open Flow
  - General Call
  - Hunt Group Call

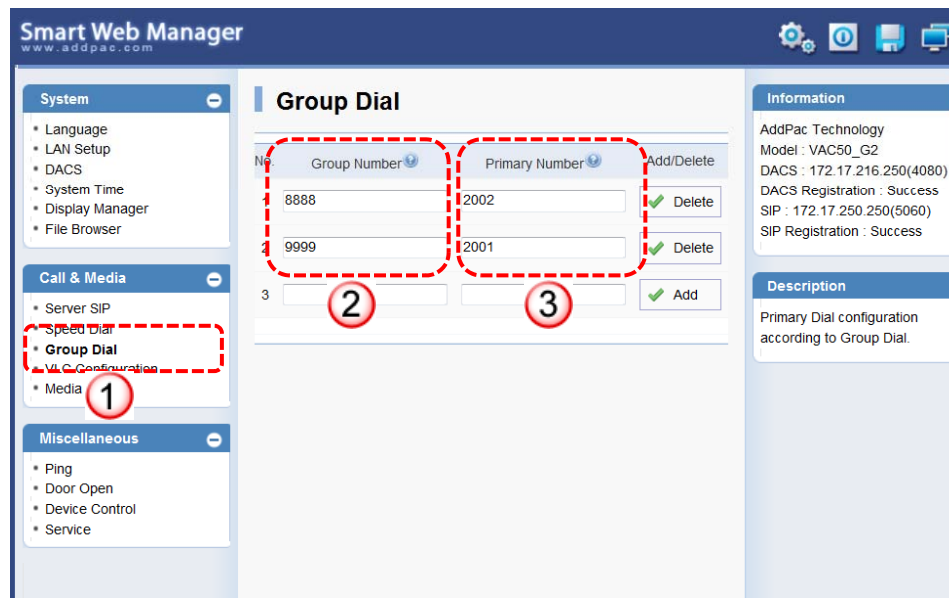
# Door Open For Hunt Group Diagram



# Group Dial Configuration

## Group Dial(Hunt Group) Configuration

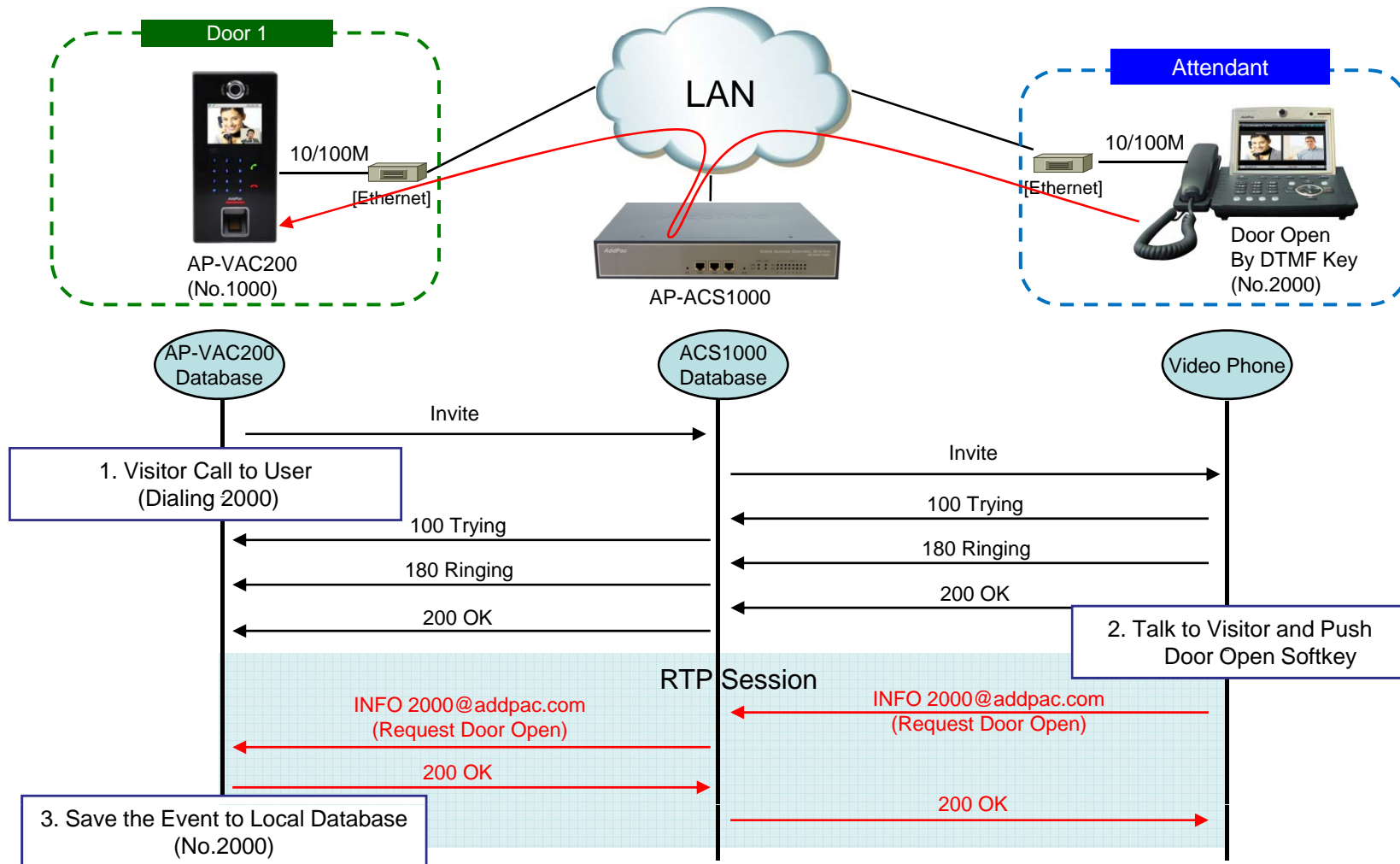
Group Dial feature is configured by Smart Web Manager



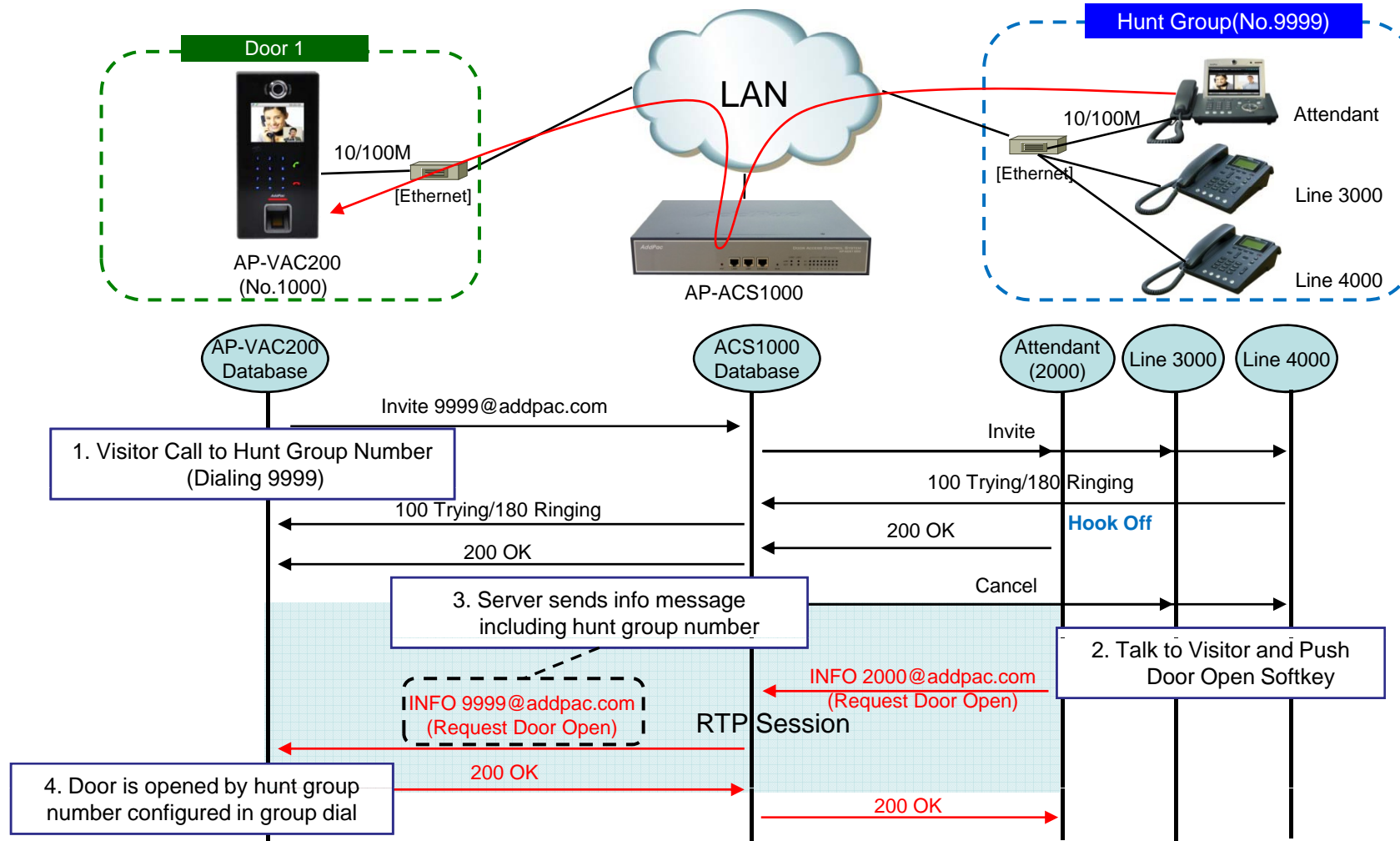
- 1 Group Dial Configuration Menu
- 2 Configuration Hunt Group
- 3 Configuration Primary Number

[Figure 1]  
AP-VAC200 Smart Web Manager

# Door Open Flow : General Call



# Door Open Flow : Hunt Group Call





# Thank you!

**AddPac Technology Co., Ltd.**  
Sales and Marketing

Phone +82.2.568.3848 (KOREA)

FAX +82.2.568.3847 (KOREA)

E-mail [sales@addpac.com](mailto:sales@addpac.com)