

# AP-VAC200

## IP Video Door Phone

High Performance Fingerprint Recognition  
IP Video Door Phone Solution



RTSP based Network Video  
Monitoring for Audio Only Terminals

***AddPac***

**AddPac Technology**

2013, Sales and Marketing

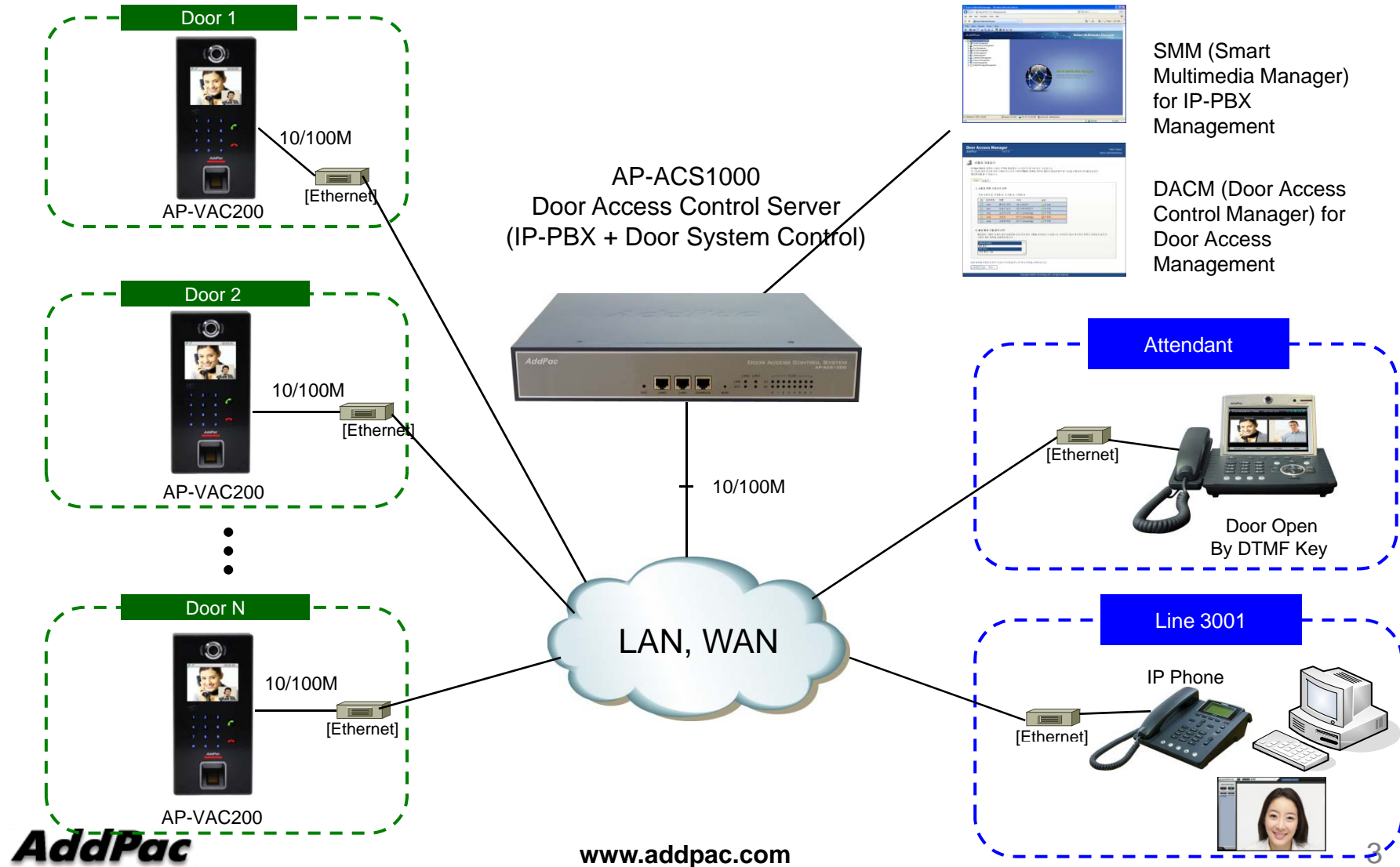
# Contents

- AP-VAC200 Video Service Diagram
  - All IP Solution
  - Legacy PBX
- SIP based Audio/Video Service Diagram
  - Door Attendant Service using IP Video Phone
- RTSP based Video Service Diagram
  - RTSP Video Camera Service with Audio Terminal
  - Door Attendant Service using Analog Phone
  - Door Attendant Service using IP Phone
- RTSP based Network Block Diagram
  - AP-VAC200 Internal S/W Block Diagram
  - RTSP,RTP Video Service Block Diagram
  - RTSP Video Service Block Diagram



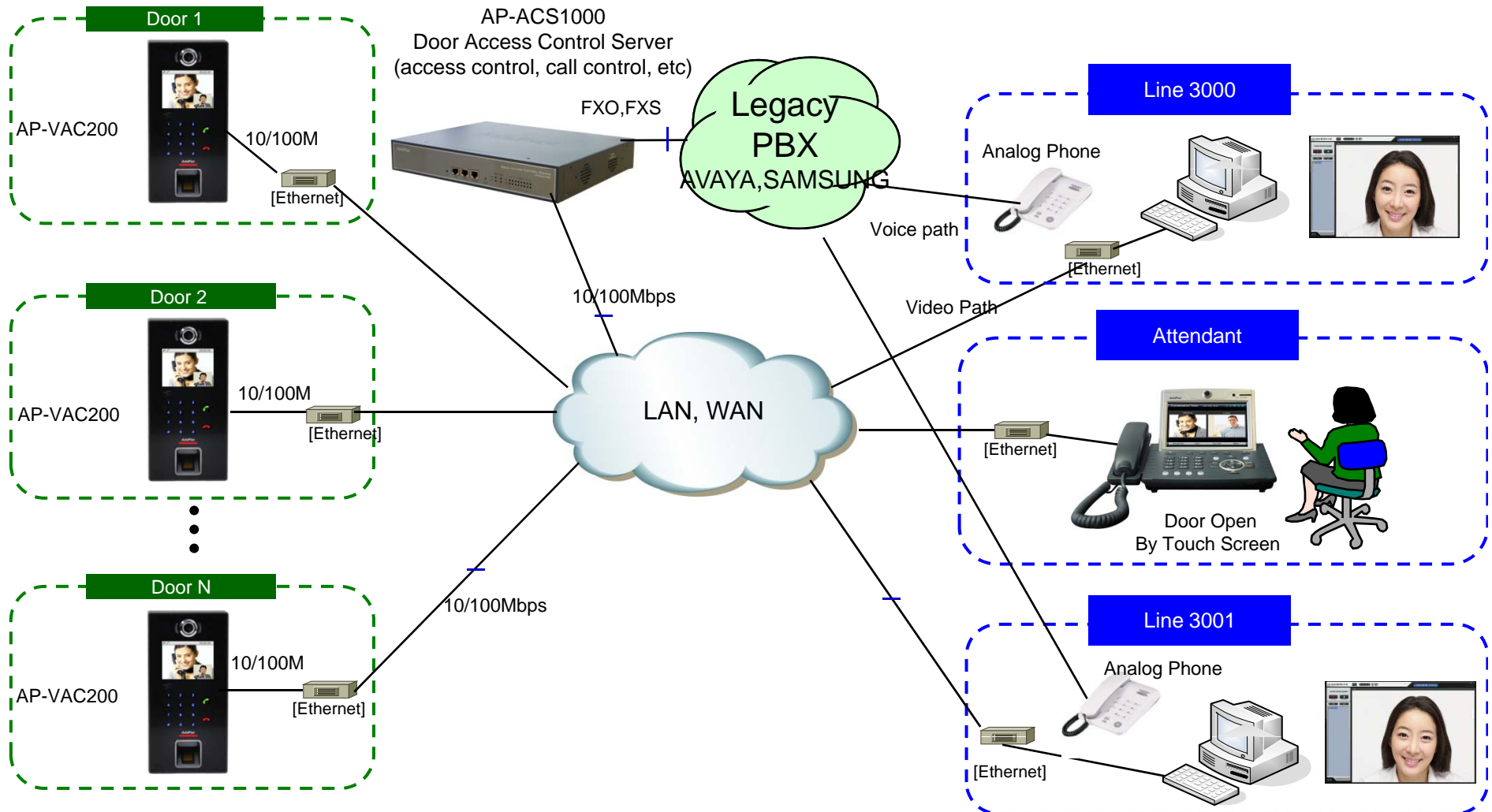
# AP-VAC200 Video Service Diagram

## : All IP Solution



# AP-VAC200 Video Service Diagram

## : Legacy PBX Environment

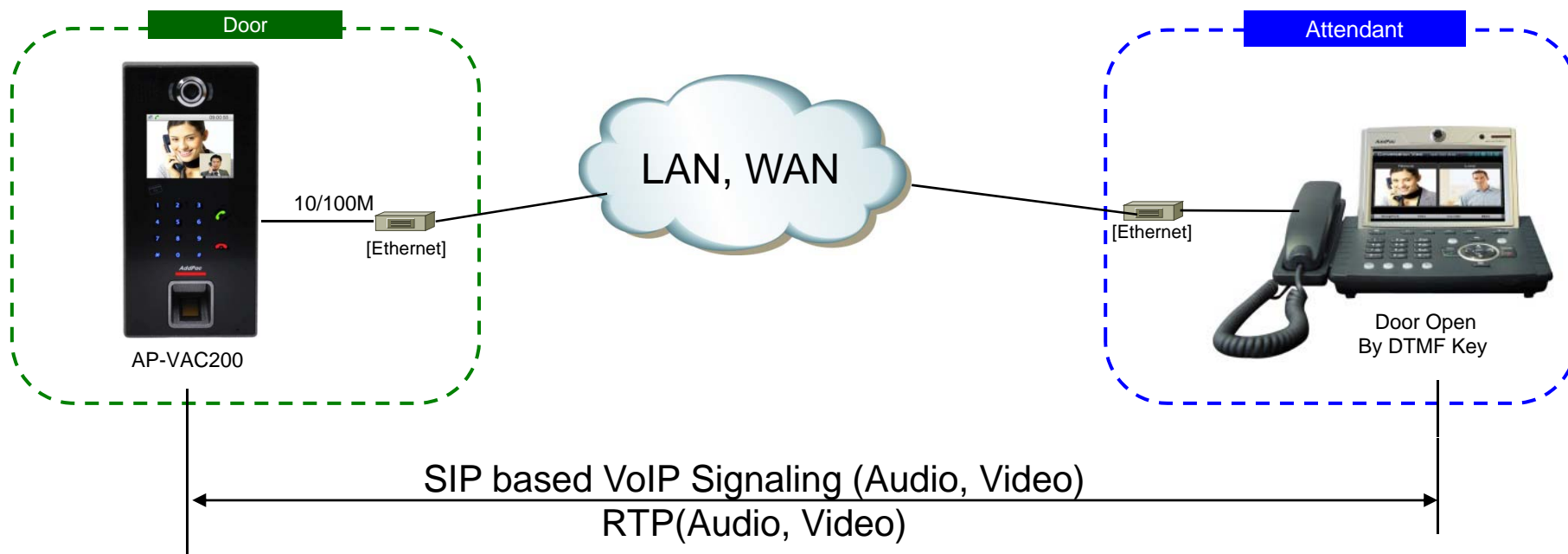




# SIP based Audio/Video Service Diagram

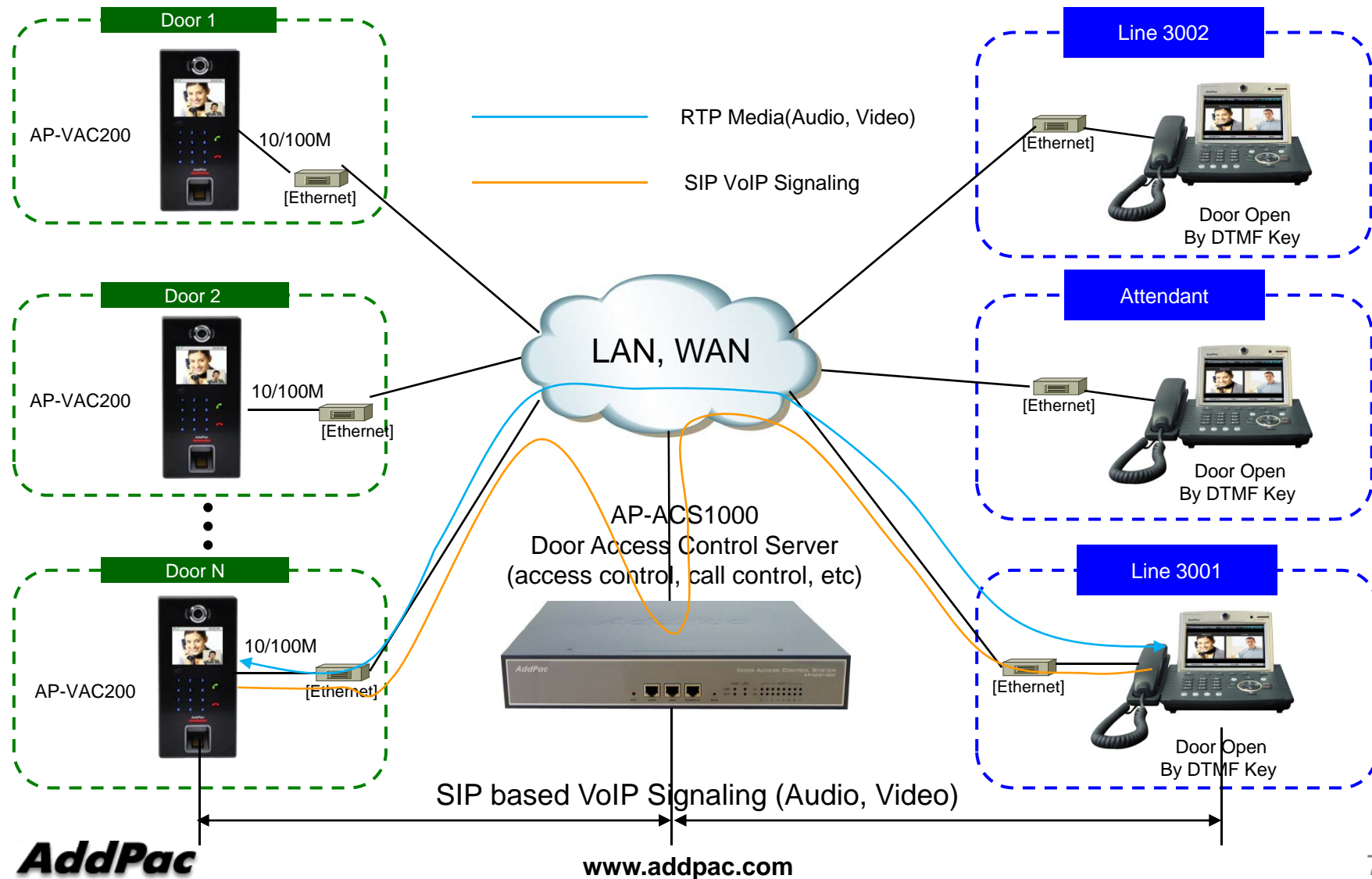
# SIP based Video/Audio Service Diagram

: Door Attendant Service using IP Video Phone



# SIP based Video/Audio Service Diagram

## : Door Attendant Service using IP Video Phone with IP-PBX





# RTSP based Video Service Diagram



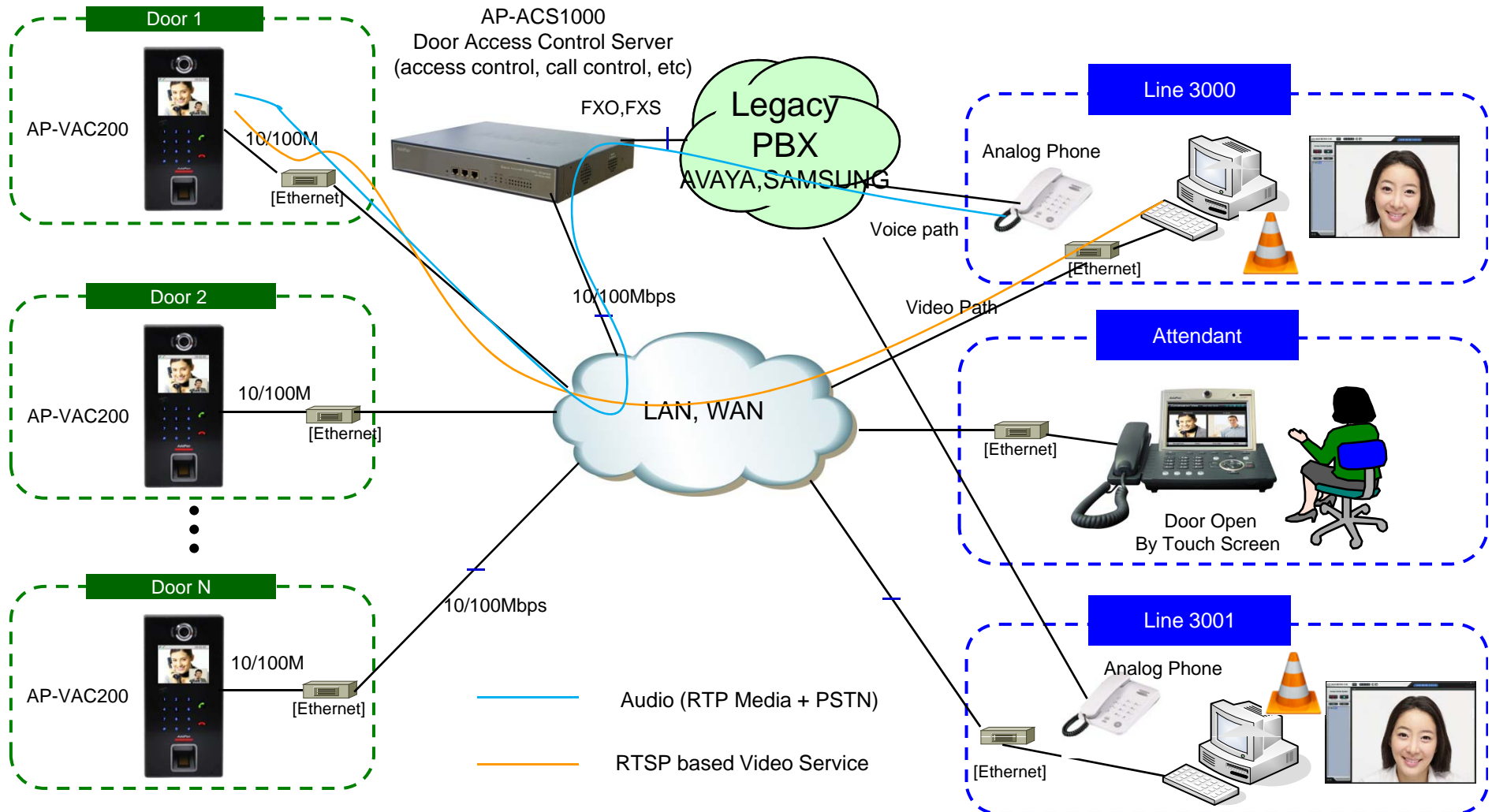
# RTSP based Video Service

: Door Attendant Service using Audio Terminal

- **Video Camera**
  - RTSP based Video Camera
  - Video and Audio(\*) Support
  - Video is disabled when Video Call State
  - Audio is disable when Call State
- **Audio Call with Video Camera**
  - Audio Call with IP Phone
  - Execute VLC Application at User PC
  - Video Monitoring using VLC
  - VLC close when Call is terminated

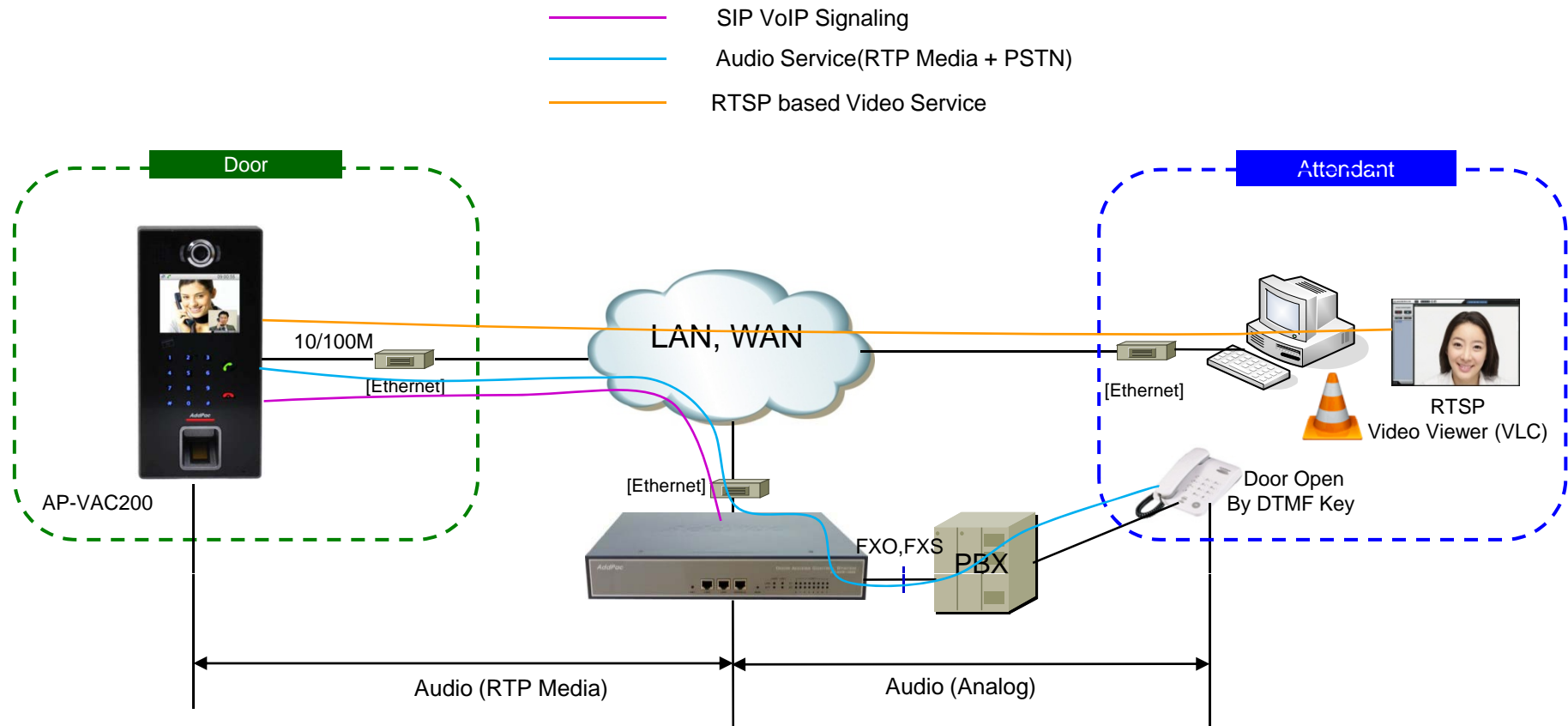
# RTSP based Video Service Diagram

## : Door Attendant Service using Analog Phone



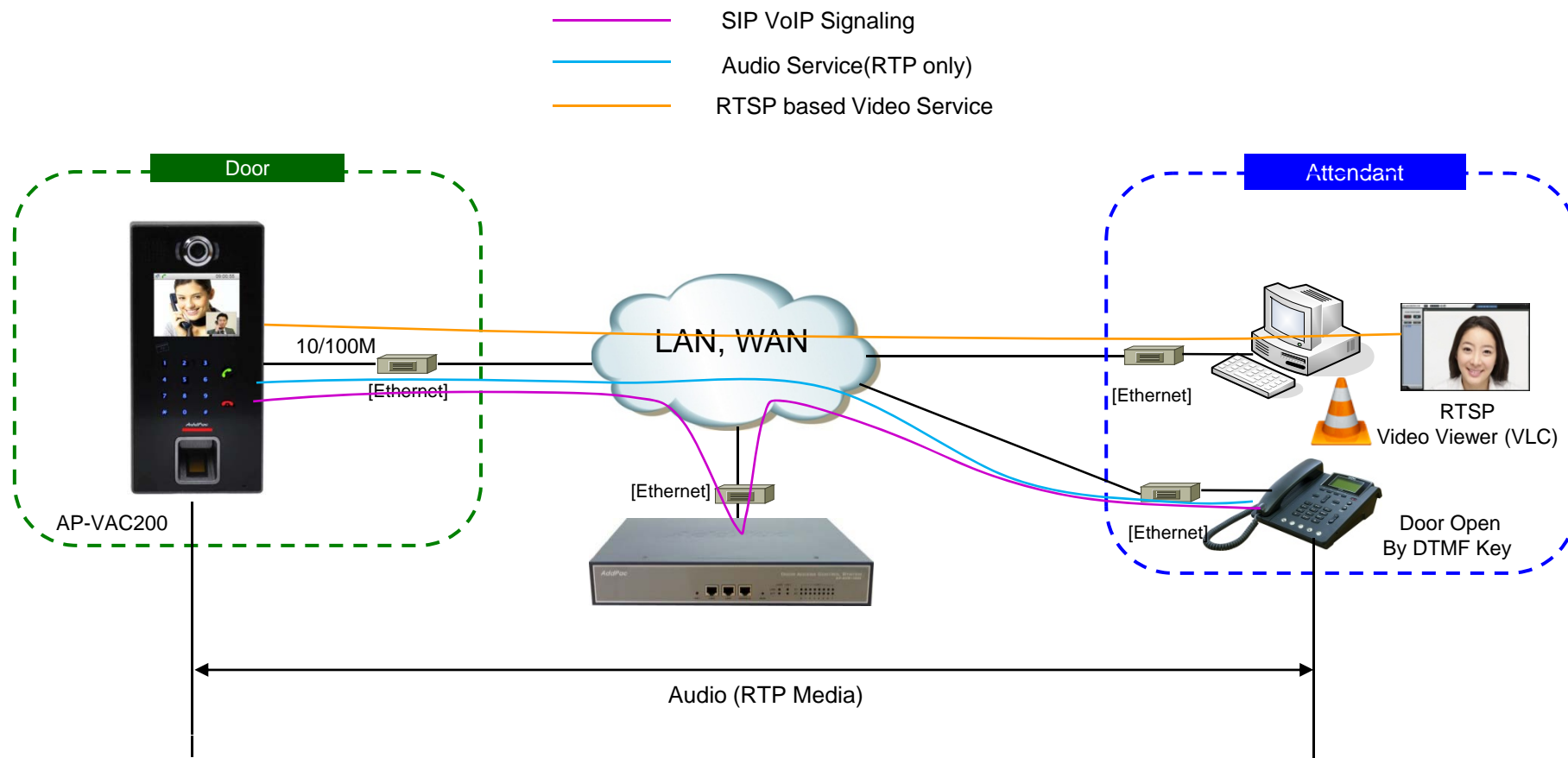
# RTSP based Video Service Diagram


## : Door Attendant Service using Analog Phone



# RTSP based Video Service Diagram

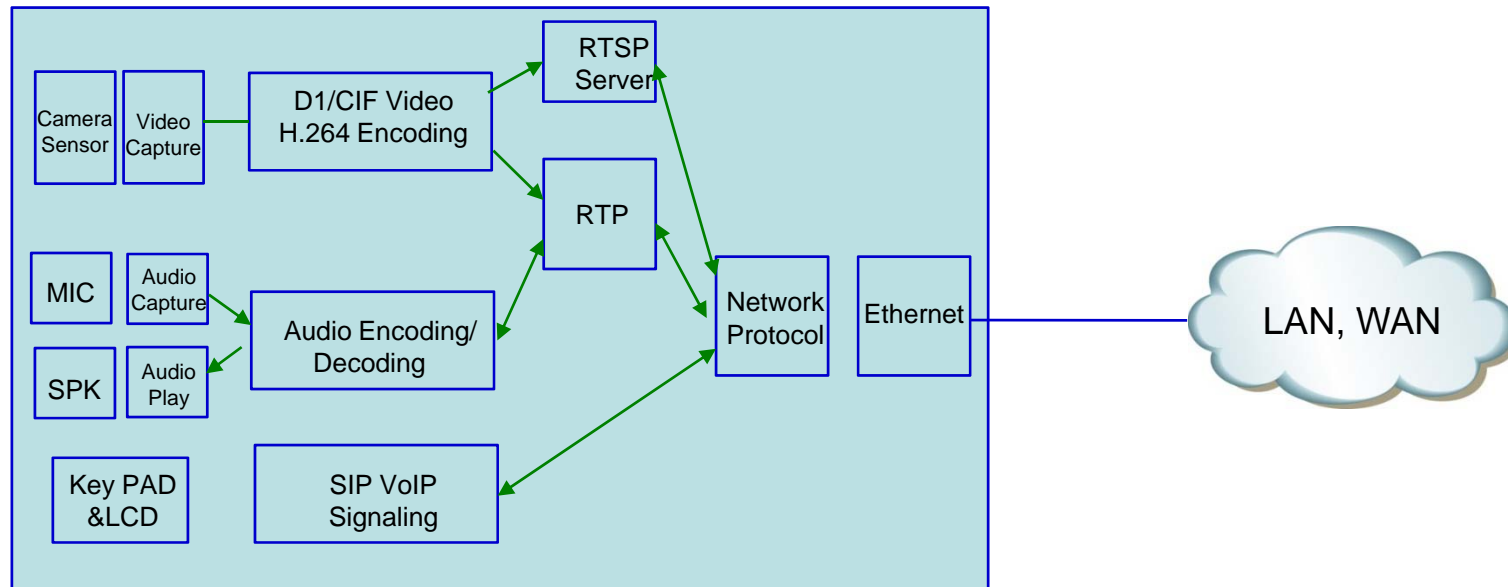
## : Door Attendant Service using IP Phone





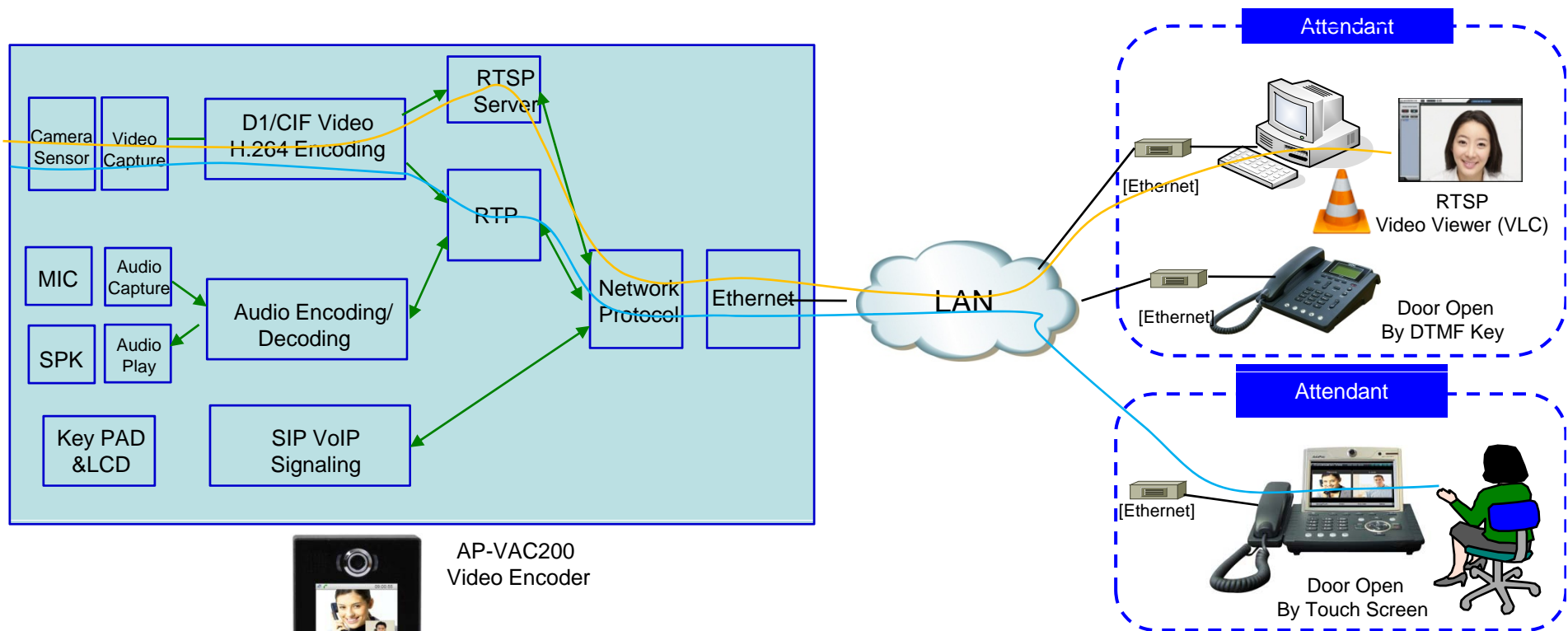
# RTSP based AP-VAC200 Internal Block Diagram

# AP-VAC200 Internal S/W Block Diagram



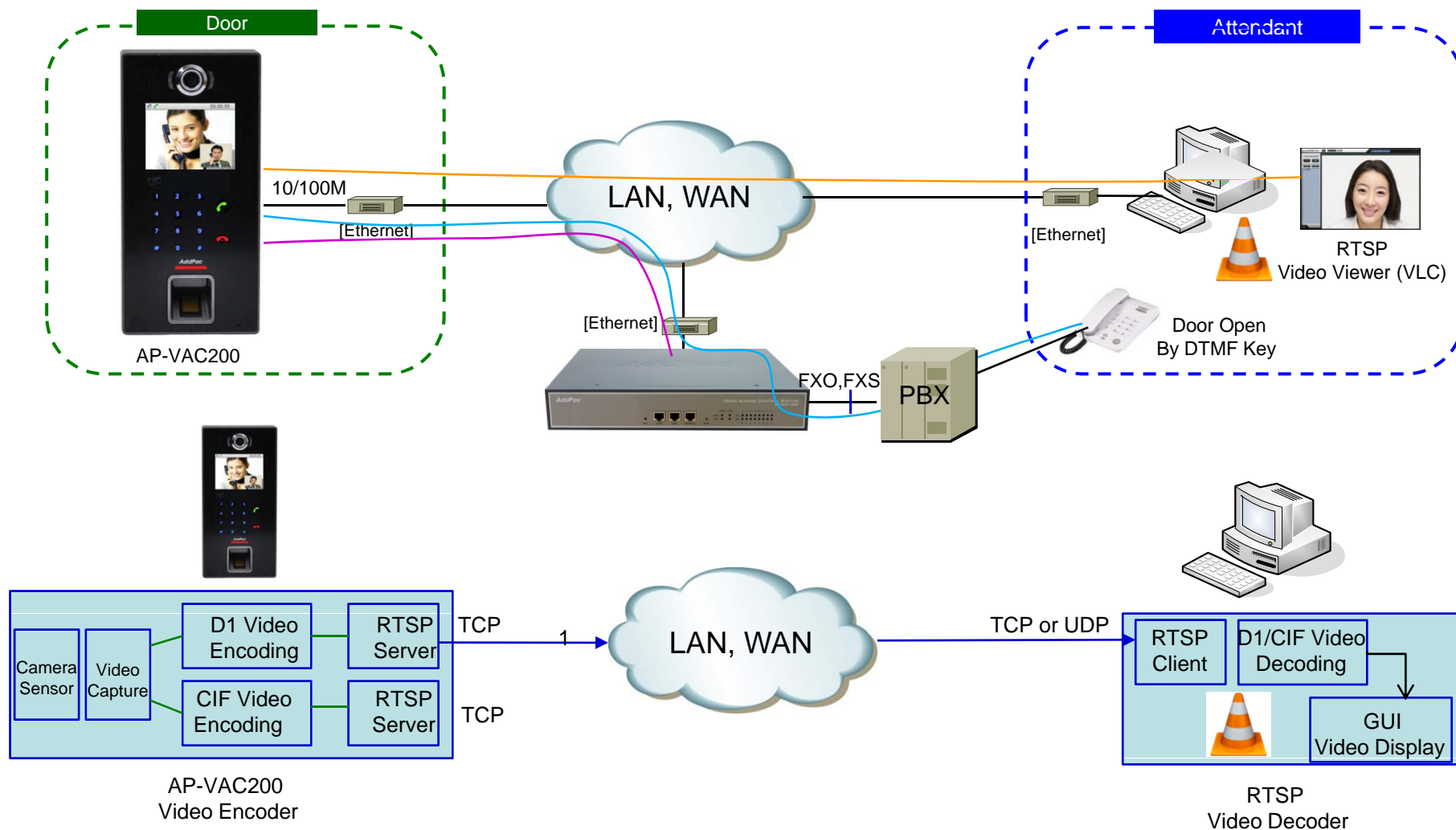
AP-VAC200  
Video Encoder

# RTSP/RTP Video Service Block Diagram



AP-VAC200  
Video Encoder

# RTSP based Network Block Diagram







# Thank you!

**AddPac Technology Co., Ltd.**  
Sales and Marketing

Phone +82.2.568.3848 (KOREA)

FAX +82.2.568.3847 (KOREA)

E-mail [sales@addpac.com](mailto:sales@addpac.com)