

# AP-VAC50

## IP Video Door Phone

High Performance IP Video Door Phone Solution



LCD Power Save Mode Function  
(Interworking AP-VAC50 External CASE)

Electric power corporation:  
underground power utility-pipe conduit

***AddPac***

**AddPac Technology**

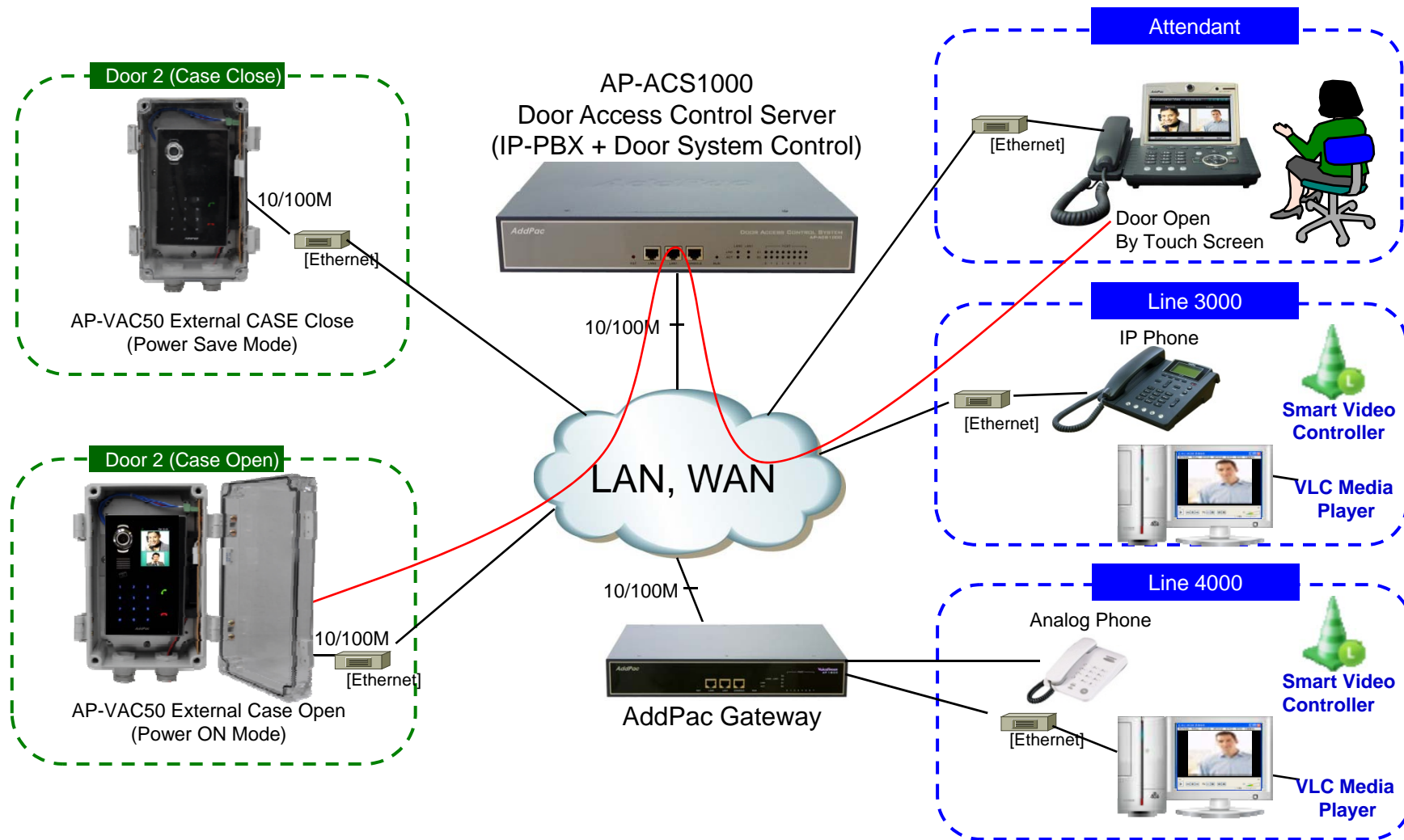
Sales and Marketing

[www.addpac.com](http://www.addpac.com)

# Contents

- Color LCD Power Save Mode Service Diagram
- Device Control Configuration
- Device Control Function
  - AP-VAC50 External Case Close
  - AP-VAC50 External Case Open

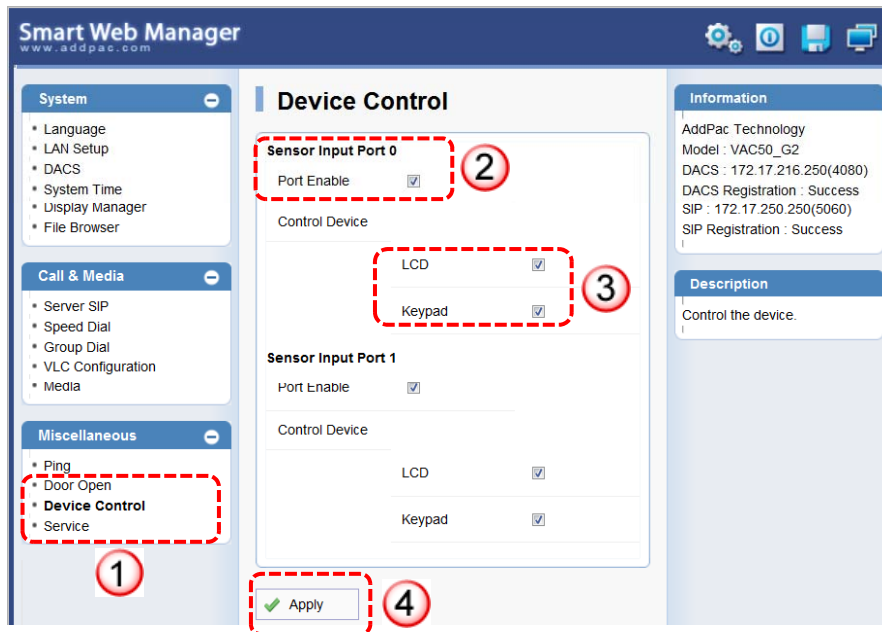
# LCD Power Save Mode Service Diagram



# Device Control Configuration

## Power Save Mode Service Configuration

Device Control feature is configured by Smart Web Manager



- |   |                                |
|---|--------------------------------|
| ① | Power Save Mode Menu           |
| ② | Sensor Input Port Enable Check |
| ③ | LCD/Keypad Power Save Mode     |
| ④ | Apply Button                   |

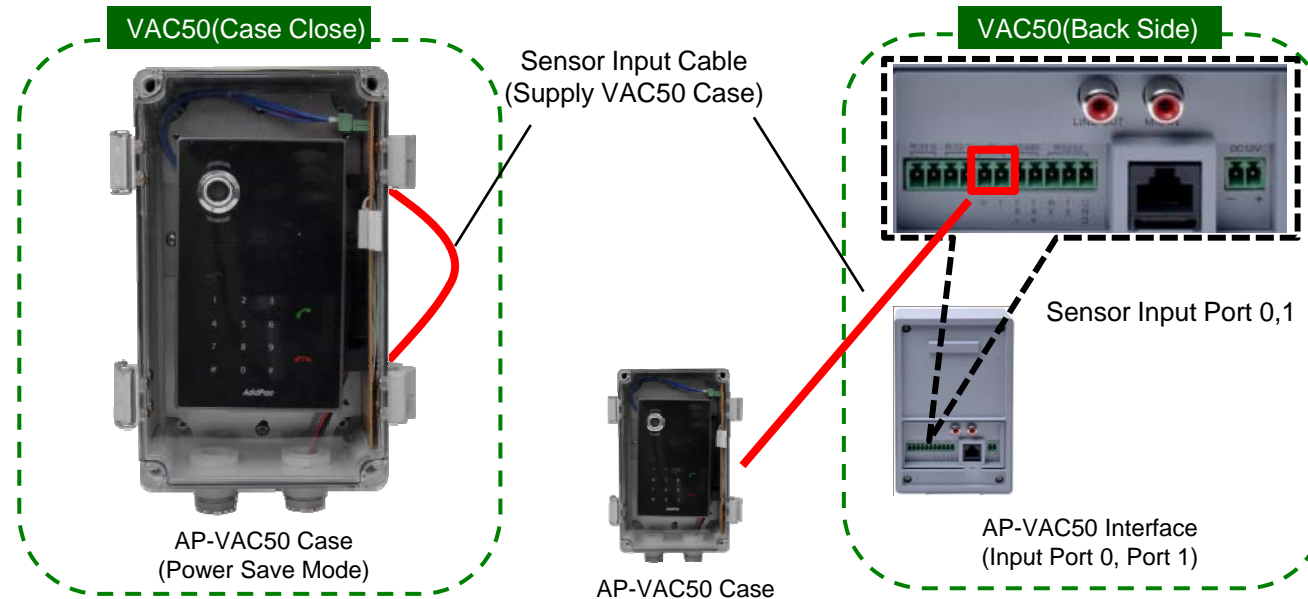
[Figure 1]  
AP-VAC50 Smart Web Manager

# Device Control Function

## : AP-VAC50 External Case Close

### Device Control Function

AP-VAC50 case provides sensor signal to AP-VAC50 interface

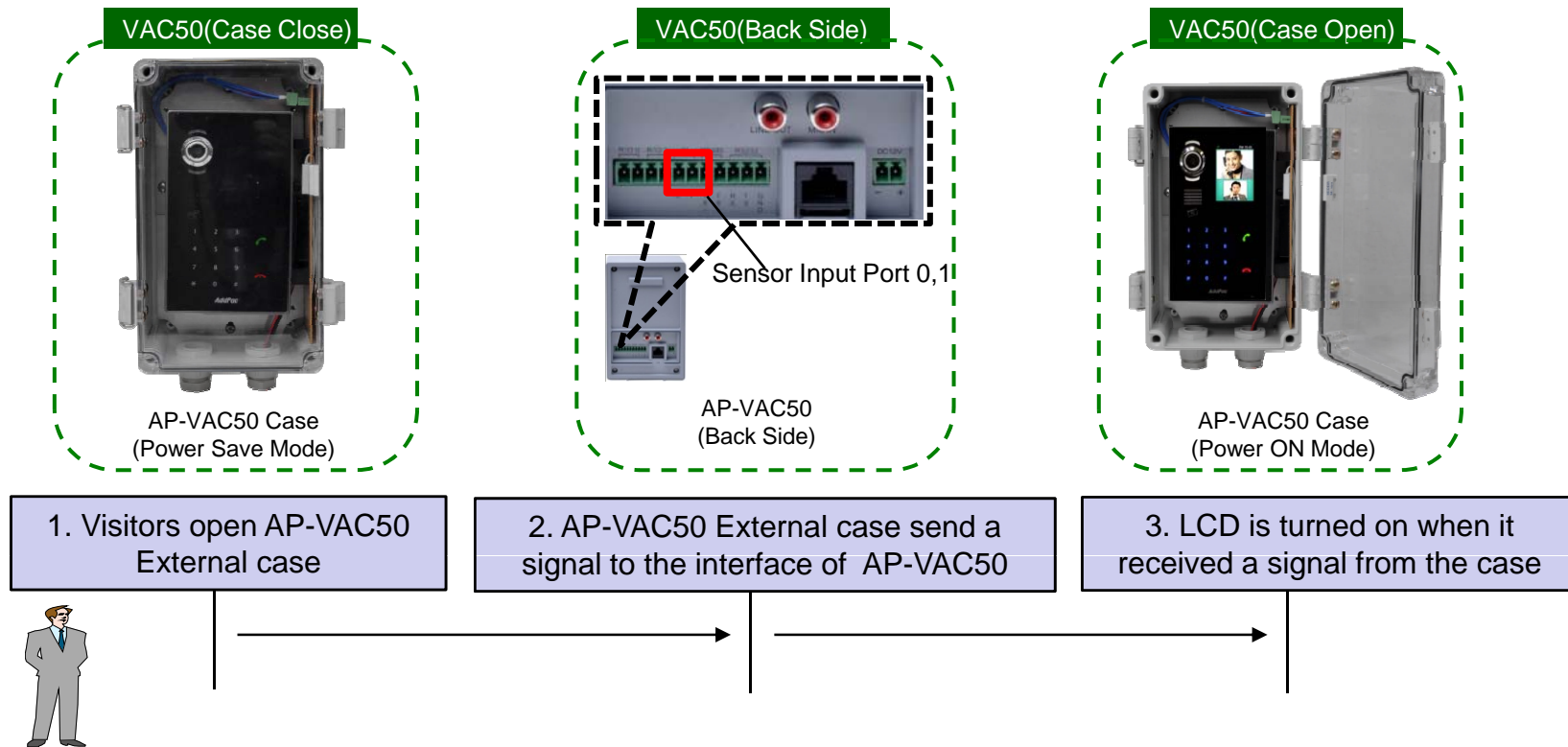


# Device Control Function

## : AP-VAC50 External Case Open

### Device Control Function

The power of LCD is turned on when the case is opened





# Thank you!

**AddPac Technology Co., Ltd.**  
Sales and Marketing

Phone +82.2.568.3848 (KOREA)

FAX +82.2.568.3847 (KOREA)

E-mail [sales@addpac.com](mailto:sales@addpac.com)