

AP2200 LAN-to-LAN Router

High-performance, Cost-effective Design

AddPac

Product Highlights

- Very High-Performance 64bit PowerPC RISC Microprocessor Architectures
- Fixed 4-Ports 10/100Mbps Fast Ethernet Interface
- Independent PCI based LAN Controllers for High-Performance Routing
- 1-Port Asynchronous Interface for Console
- AddPac APOS Internetworking Software to provide Scalability, Functionality, Stability, and QoS Control .
- Static, RIP v1/2, OSPF v2, and IEEE 802.1Q VLAN Routing Protocols
- Transparent Bridging Support
- Traffic Queuing, SNMP MIB v2 for Network Management Features
- Web Based Management Function
- Remote Software Upgrade using FTP & TFTP
- Standard & Extended Access List for Security Functions
- Provides ATM Services such as various Traffic Types, Traffic Managements, and Inter-working Features
- Cisco Style Command Line Interface(CLI)
- Standard 1.5Ux19" Rack Mountable Chassis with System LEDs



PassFinder AP2200 LAN-to-LAN Router

PassFinder AP2200 LAN-to-LAN router provides very high-performance IP-routing connectivity for large enterprise, government and other public offices as well as campus network. Moreover, PassFinder AP2200 LAN-to-LAN router is designed for ATM based high-speed Internet connectivity via ATM L2 gateway with LAN-to-LAN Routing.

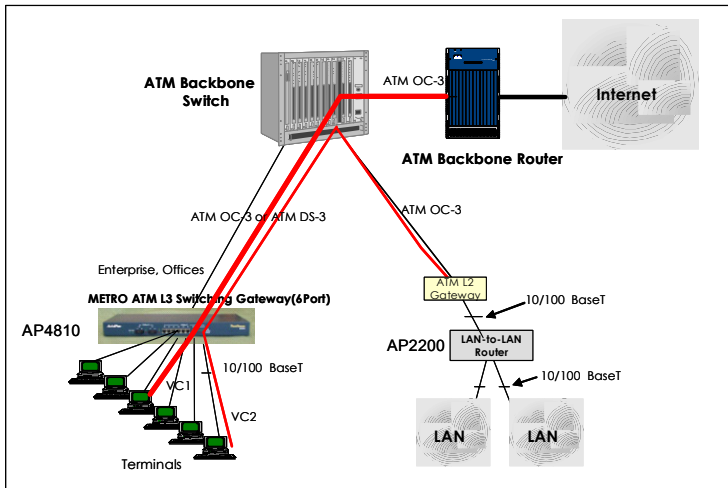
In addition, AP2200 LAN-to-LAN router supports various LAN protocol and functions such as PPPoE, PPTP, VLAN, packet filtering, traffic control, rate limiting including Static, RIP v1/2, OSPF v2 routing protocols and network management features such as SNMP MIB v2, CLI, etc. This router is typically fixed configuration with the following interface: four(4)-Ports 10/100Mbps Fast Ethernet Port, asynchronous serial Port for console.

APOS Internetworking Software for AP Router

AddPac PassFinder Operating System (APOS) is best router software to provide scalability, reliability, stability, and QoS for internetworking solutions. APOS also provides optimized performance and industry standard network functionality with easy-to-use, easy-to-installation, and maintenance.

The AP2200 LAN-to-LAN router provides [best price-performance ratio](#) and [effective voice & data networking solution](#) for customer satisfaction.

AP2200 LAN-to-LAN Router Network Diagram



Hardware Specification

Microprocessor

- CPU 64bit RISC Microprocessor

Memory

- Flash Memory 8Mbyte
- DRAM Memory 64~128M bps High-Speed SDRAM
- Boot Memory 512Kbyte Flash Memory

Network Interface

- Fixed LAN Port Four(4) 10/100Mbps Ethernet
- Console Port One(1) RS-232C Interface

Power & Operation Environments

- Power Requirement VAC 110~220V, 50/60Hz, 15Watt
- Operating Temperature 0°C to +50°C (32° to 122°F)
- Storage Temperature -40°C to +85°C (-40° to +185°F)
- Relative Humidity 5% to 95% (Non-condensing)

Dimensions

- W X D X H (mm) 435mm X 300mm X 43mm
- Weight(Kg) 3.2kg

Support Protocols & Services

IP Routing Protocols

- Static, RIP v1/v2, OSPF v2 Routing

Network Managements

- Standard SNMP Agent (MIB v2) Support
- Remote Management using Console, Rlogin, Telnet
- Web based Managements using HTTP Server Interface

Security Functions

- Standard & Extended IP Access List
- Access Control and Data protections
- Enable/Disable for Specific Protocols
- Multi-Level User Account Management
- Auto-disconnect for Telnet/Console Sessions
- PPP User Authentication Supports
 - Password Authentication Protocol(PAP)
 - Challenge Handshake Authentication Protocol (CHAP)

Operation & Managements

- System Performance Analysis for Process, CPU, Connection I/F
- Configuration Backup & Restore for APOS Managements
- Debugging, System Auditing, and Diagnostics Support
- System Booting and Auto-rebooting with Watchdog Feature
- System Managements with Data Logging
- IP Traffic Statistics with Accounting

Other Scalability Features

- Traffic Management Function
- Traffic Queuing Function
- DHCP Server & Relay Functions
- IEEE 802.1Q VLAN Routing
- IP Accounting Function
- Network Time Protocol(NTP) Support
- Network Address Translation (NAT) Function
- Port Address Translation (PAT) Function
- Transparent Bridging (IEEE Standard) Function
 - Spanning Tree Bridging Protocol Support
 - Remote Bridging Support
 - Concurrent Routing and Bridging Support
- Cisco Style Command Line Interface(CLI)
- Remote Upgrade for APOS Management using FTP/TFTP

Ordering Information

- AP2200-01 : AP2200 LAN-to-LAN Router Standard Configuration
 - Four(4) 10/100BaseT Fast Ethernet, Console
 - High-Performance 64bit RISC CPU
 - 512K Boot Loader
 - 8MB Flash Memory
 - 64MB SDRAM, etc
 - APOS v5.xx with Operation Manual
 - Including CAB-LAN, CAB-CON

- CAB-LAN : RJ45 Ethernet Cable
- CAB-CON : RJ45 RS-232C Console Cable

Contact Information

Web site : <http://www.addpac.com>

E-mail : info@addpac.com

AddPac Technology Co., Ltd.

3F, Jeong-Am Bldg., 769-12, Yeoksam-Dong

Kangnam-Gu, Seoul, 135-080, KOREA

Phone +82 2 568 3848

Fax + 82 2 568 3847

2000, AddPac is a registered trademark of AddPac Technology. Specifications and features subject to change without notice. All brands & products are trademarks of their respective organization.