

# 4-Port GSM Modules for AP-GS916



**AddPac**

**AddPac Technology**

2012, Sales and Marketing



# Contents

- AP-GS916 GSM Module Comparison
- 4-Port GSM Modules for AP-GS916
  - AP-N1-GSM4UI
  - AP-N1-GSM4I





# AP-GS916 4-Port GSM Module Comparison Table

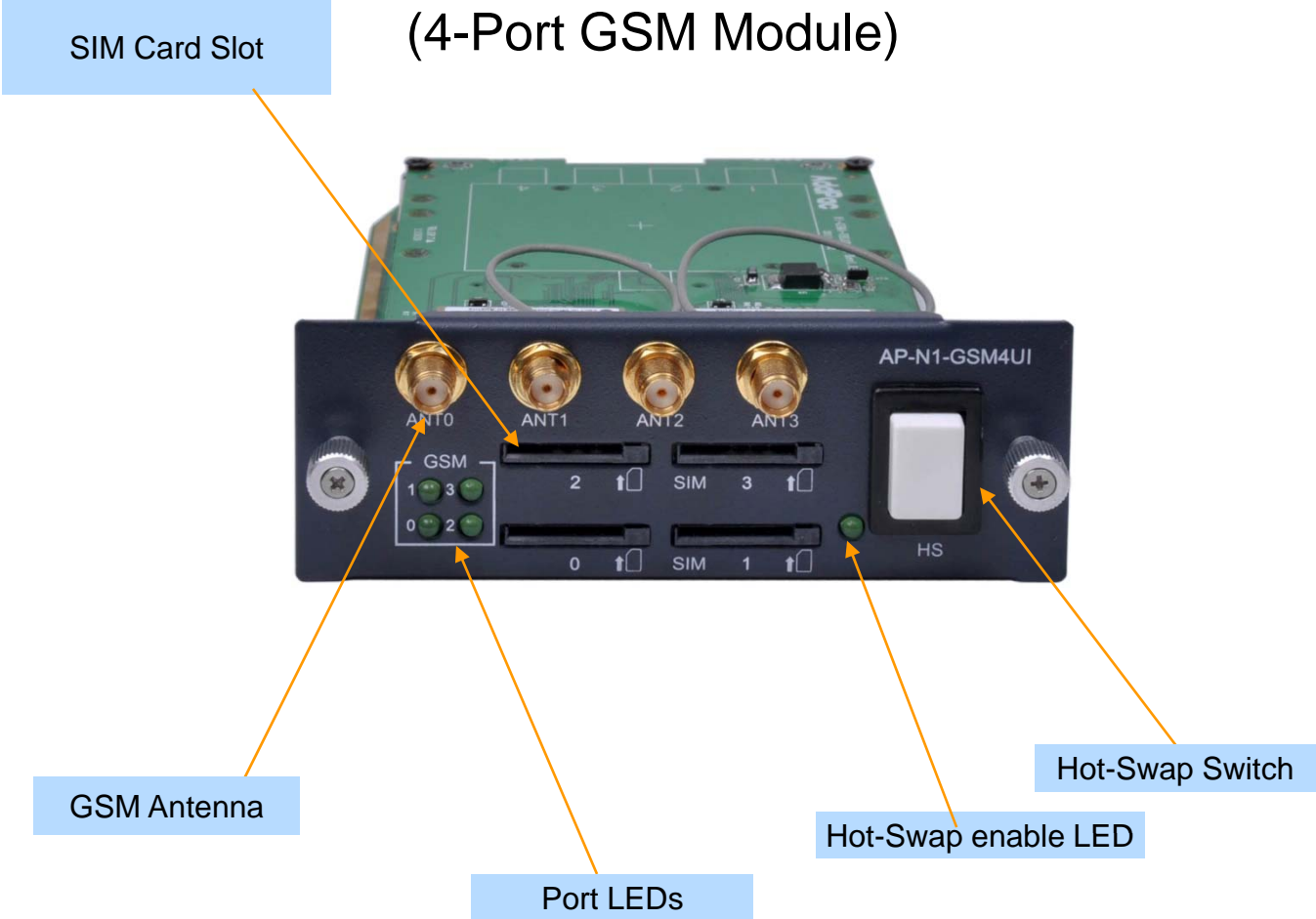
Model	AP-N1-GSM4I	AP-N1-GSM4UI
		
Available Target	AP-GS916	AP-GS916
GSM Module Vendor	Wavecom (Sierra)	UBlox
GSM Channel	4-Port	4-Port
IMEI change	Support : Multiple Change	Support : One Time Change
Frequency Band	Quad-Band	Quad-Band
External Antenna	4	4
Hot-Swap	Support	Support
VoIP Codec	G.711, G.729, G.723.1,etc	G.711, G.729, G.723.1,etc



# 4-Port GSM Modules for AP-GS916 GSM Platform

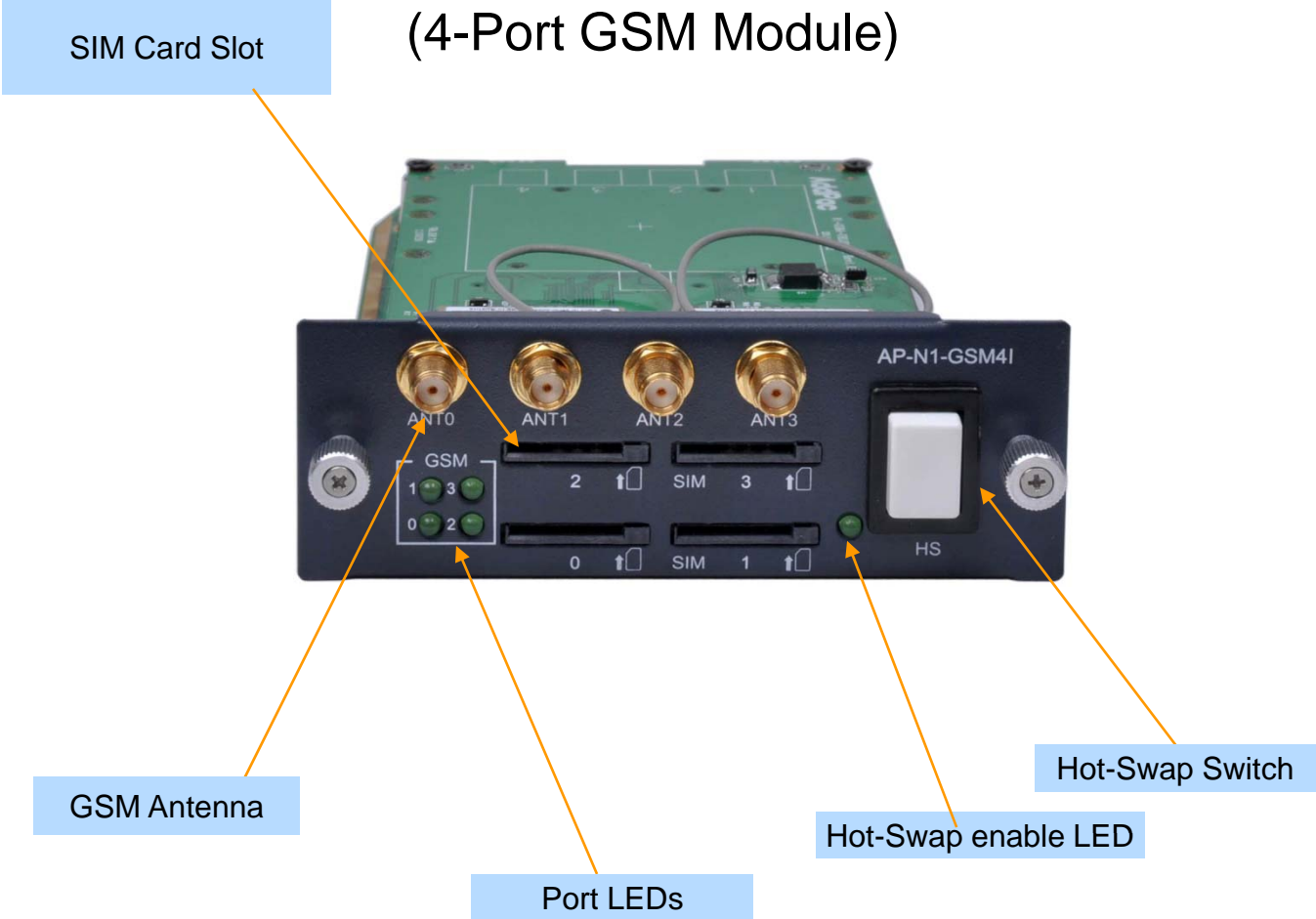
# 4-Channel New GSM Module (Four(4) Antenna)

AP-N1-GSM4UI  
(4-Port GSM Module)



# 4-Channel GSM Module (Four(4) Antenna)

## AP-N1-GSM4I (4-Port GSM Module)





# Thank you!

**AddPac Technology Co., Ltd.**  
**Sales and Marketing**

Phone +82.2.568.3848 (KOREA)

FAX +82.2.568.3847 (KOREA)

E-mail [sales@addpac.com](mailto:sales@addpac.com)