

Smart Web Manager for SMS Gateway



AddPac

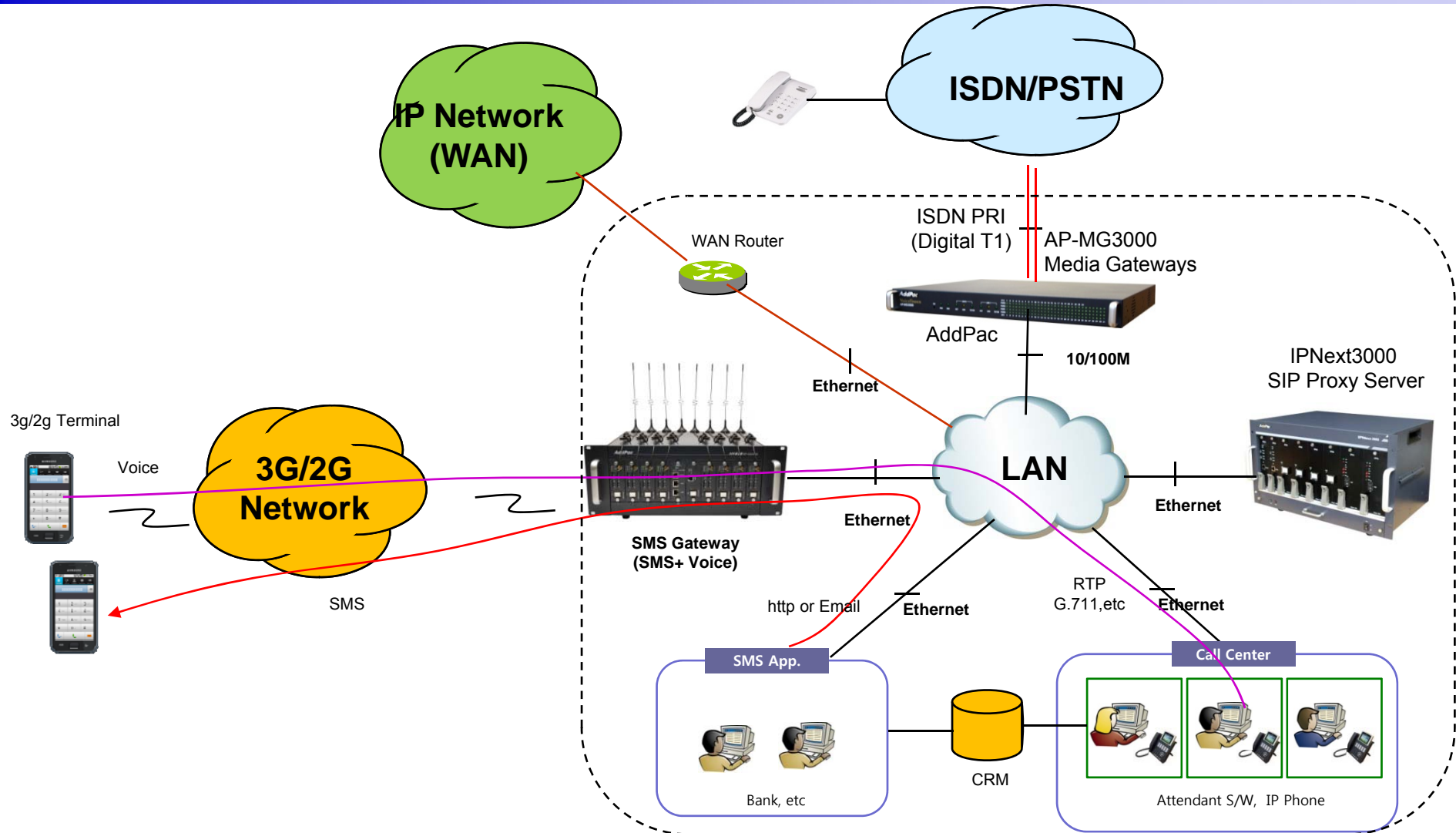
AddPac Technology

2013, Sales and Marketing

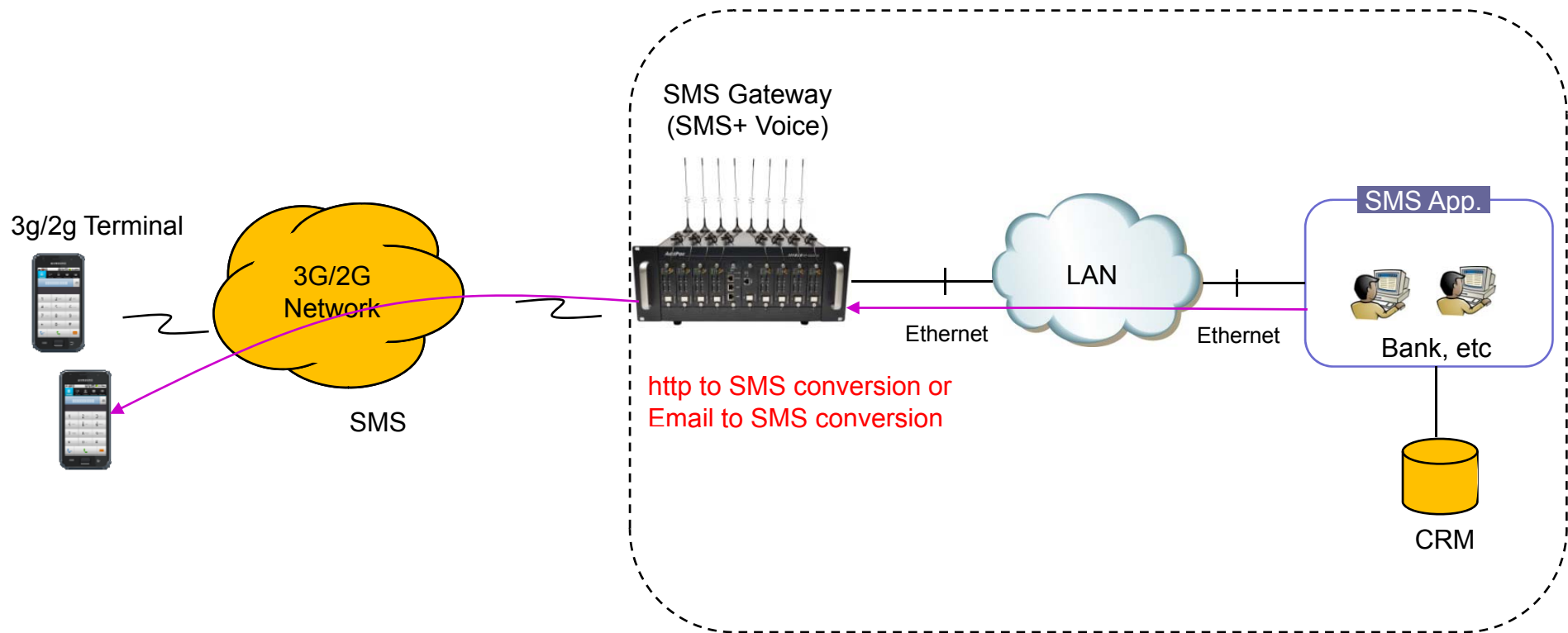
Contents

- SMS Gateway Service Diagram
- SMS Gateway Series
 - AP-GS3500(36ch)
 - AP-GS2500(16ch)
- SMS Gateway Features
- Smart Web Manager for SMS Gateway



SMS Gateway Service Diagram



SMS Gateway Service Diagram



SMS Gateway Comparison Table

| Model | AP-GS2500  | AP-GS3500  |
|-------------------|---|---|
| Available Modules | AP-N1-3G4 AP-N1-GSM4 AP-N1-CDMA4 AP-N1-FXS8 AP-N1-FXO8 AP-N1-FXS4O4 AP-N1-E1 | AP-N1-3G4 AP-N1-GSM4 AP-N1-CDMA4 AP-N1-FXS8 AP-N1-FXO8 AP-N1-FXS4O4 AP-N1-E1 |
| Mobile Channel | Up to 16 Channel | Up to 36 Channel |
| Antenna | One(1) / 4 Channel Module | One(1) / 4 Channel Module |
| Module Slot | Four(4) Module Slots for 3G/2G, E1/T1 Modules | Nine(9) Module Slots for 3G/2G, E1/T1 Modules |
| LAN Port | 2 | 2 |
| Console | 1 | 1 |
| Power | Single PSU | Dual PSU (module) |

SMS Gateway features

- Support SMS sending functions by XML-based HTTP
- Support GSM and 3G mobile network
- Support multi carriers by port grouping (carrier selectable)
- 3rd Party can use G/W functions without server application.
- Support SMS LCR(Least Cost Route)
 - SMS quota limit and restoration (daily or monthly)
- Support SMS logs up to 20,000 count
- Support SMS statistics and diagnosis



Smart Web Manager for SMS Gateway

Contents

- Main Page Layout
- System Configuration
 - Network Setup, Language, NAT, PPTP, NTP
- Basic Configuration
 - Protocol, SIP Server , FXS Extension, GSM Extension
 - DTMF/CODEC, VoIP Dial Plan, GSM Dial Plan, Static Routing, Hot Line
- Advanced Configuration
 - Gain/CID, GSM PINs, FAX, Service, Filtering, Security
 - GSM Web Callback, GSM Callback
- Miscellaneous Configuration
 - Call Status, System Status, Alarm Status, GSM Status
 - Call Log, System Log, Ping, BTS Selection, GSM BTS Info
- LCR(Least Cost Routing)
 - Black & White List, Time Interval, Tariff Group, LCR Test
- **SMS**
 - SMS gateway features

SMS Server Configuration

Smart Web Manager
www.addpac.com

System +

Basic +

Advanced +

Miscellaneous +

LCR +

SMS -

- SMS Inbox
- SMS SentBox
- SMS New Message
- SMS Failed Box
- SMS Delivery
- **SMS Server**
- SMS Log

SMS Server

SMS Client List

| Index | Client IP Address (A.B.C.D) | User ID | Password | Control |
|-------|-----------------------------|----------------------|---|---------|
| | <input type="text"/> | <input type="text"/> | <input type="text"/> | Delete |
| | | | | Add |
| | | Transaction Timer : | <input type="text" value="60"/> (1~300 sec) | Apply |

SMS Server Configuration

- IP Address
- User ID & Password for Authentication

SMS Transmit Diagnosis

Smart Web Manager
www.addpac.com

System +

Basic +

Advanced +

Miscellaneous +

LCR +

SMS -

- SMS Inbox
- SMS SentBox
- **SMS New Message**
- SMS Failed Box
- SMS Delivery
- SMS Server
- SMS Log

Mobile SMS / New Message

Max size is 80 characters

Phone Number

Messages

Port Group

Port

Send

SMS Transmit Diagnosis

- Destination phone number
- Message
- Port Group (for Multi-Carrier)
- Port (designated port)

SMS Transmit Log

Smart Web Manager
www.addpac.com

- System +
- Basic +
- Advanced +
- Miscellaneous +
- LCR +
- SMS -
 - SMS Inbox
 - SMS SentBox
 - SMS New Message
 - SMS Failed Box
 - SMS Delivery
 - SMS Server
 - **SMS Log**

SMS Tx Log

SMS Transmit Log
 - up to 2,000 (for WEB)
 - up to 20,000 (local File)

| ID | Port | From | To | Date | Status |
|---|-------|-------------|-------------|---------------------|--------|
| 14 | S1:PO | 01046260876 | 01030078805 | 2013/01/16 16:28:35 | 0 |
| content:send test to 4 destination | | | | | |
| 14 | S1:PO | 01046260876 | 01091713838 | 2013/01/16 16:28:35 | 0 |
| content:send test to 4 destination | | | | | |
| 14 | S1:PO | 01046260876 | 01093045240 | 2013/01/16 16:28:35 | 0 |
| content:send test to 4 destination | | | | | |
| 14 | S1:PO | 01046260876 | 01066386665 | 2013/01/16 16:28:35 | 0 |
| content:send test to 4 destination | | | | | |
| 13 | S1:PO | 01046260876 | 01093045240 | 2013/01/16 16:27:16 | 0 |
| content:multi message test | | | | | |
| 13 | S1:PO | 01046260876 | 01066386665 | 2013/01/16 16:27:16 | 0 |
| content:multi message test | | | | | |
| 12 | S1:PO | 01046260876 | 01066386665 | 2013/01/16 16:26:28 | 0 |
| content:send test to Iphone | | | | | |
| 11 | S1:PO | 01046260876 | 01093045240 | 2013/01/16 16:26:07 | 0 |
| content:send test to lg phone | | | | | |
| 10 | S1:PO | 01046260876 | 01093045240 | 2013/01/16 16:25:38 | 0 |
| content:This is test message from a sms gateway | | | | | |
| 9 | S1:PO | 01046260876 | 01093045240 | 2013/01/16 16:24:26 | 0 |
| content:special character test !@#%*^&*~ | | | | | |
| 8 | S1:PO | 01046260876 | 01093045240 | 2013/01/16 16:23:29 | 0 |
| content:japanese test こんにちは | | | | | |
| 7 | S1:PO | 01046260876 | 01093045240 | 2013/01/16 16:22:46 | 0 |
| content:korean test 안녕하세요 | | | | | |
| 6 | S1:PO | 01046260876 | 01093045240 | 2013/01/16 16:22:34 | 0 |
| content:sms gateway test | | | | | |
| 5 | S1:PO | 01046260876 | 01093045240 | 2013/01/16 16:22:22 | 0 |
| content:addpac technology | | | | | |
| 4 | S1:PO | 01046260876 | 01093045240 | 2013/01/16 16:21:43 | 0 |
| content:sms test message | | | | | |



Thank you!

AddPac Technology Co., Ltd.
Sales and Marketing

Phone +82.2.568.3848 (KOREA)

FAX +82.2.568.3847 (KOREA)

E-mail sales@addpac.com