

AP-AC20

IP Door Phone

High Performance IP Door Phone Solution



Voice Half Duplex Communication Mode
(Large Echo Tail Length Environment
like as CAVE, etc)

AddPac

AddPac Technology

Sales and Marketing

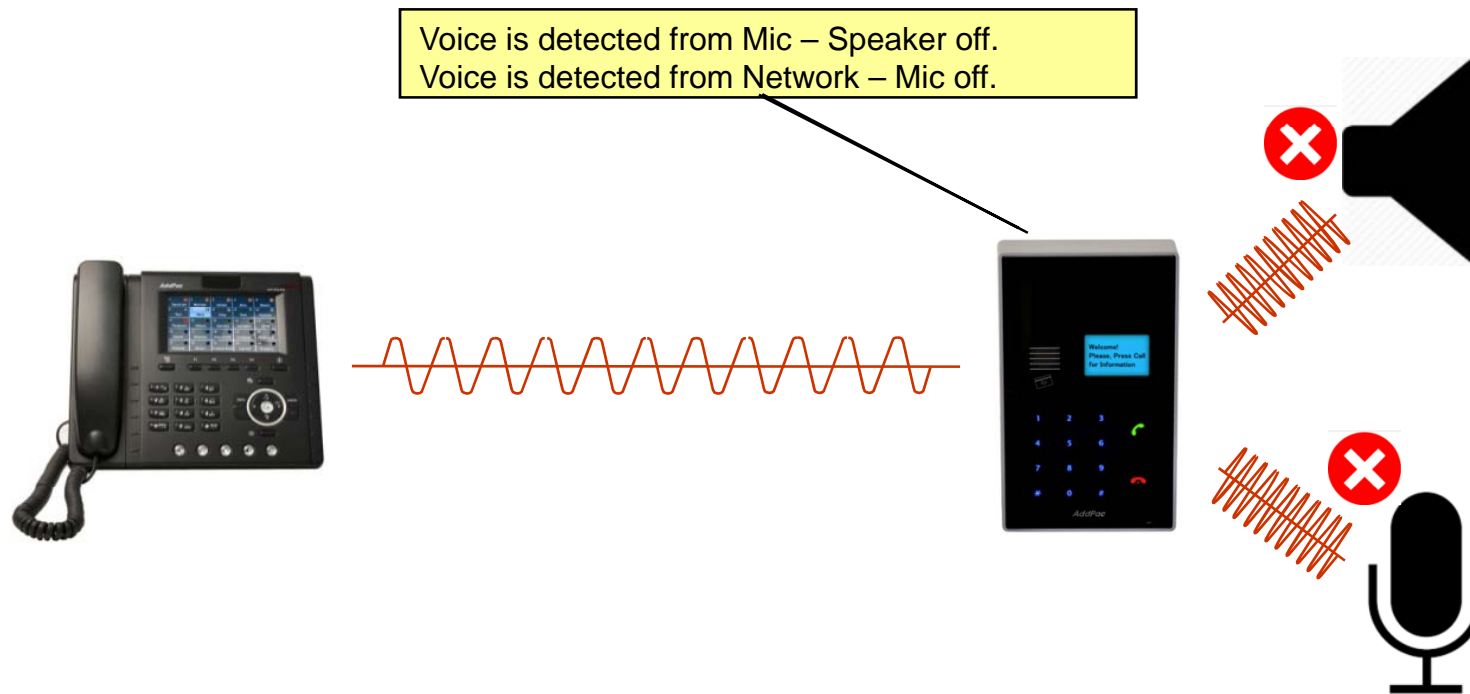
www.addpac.com

Contents

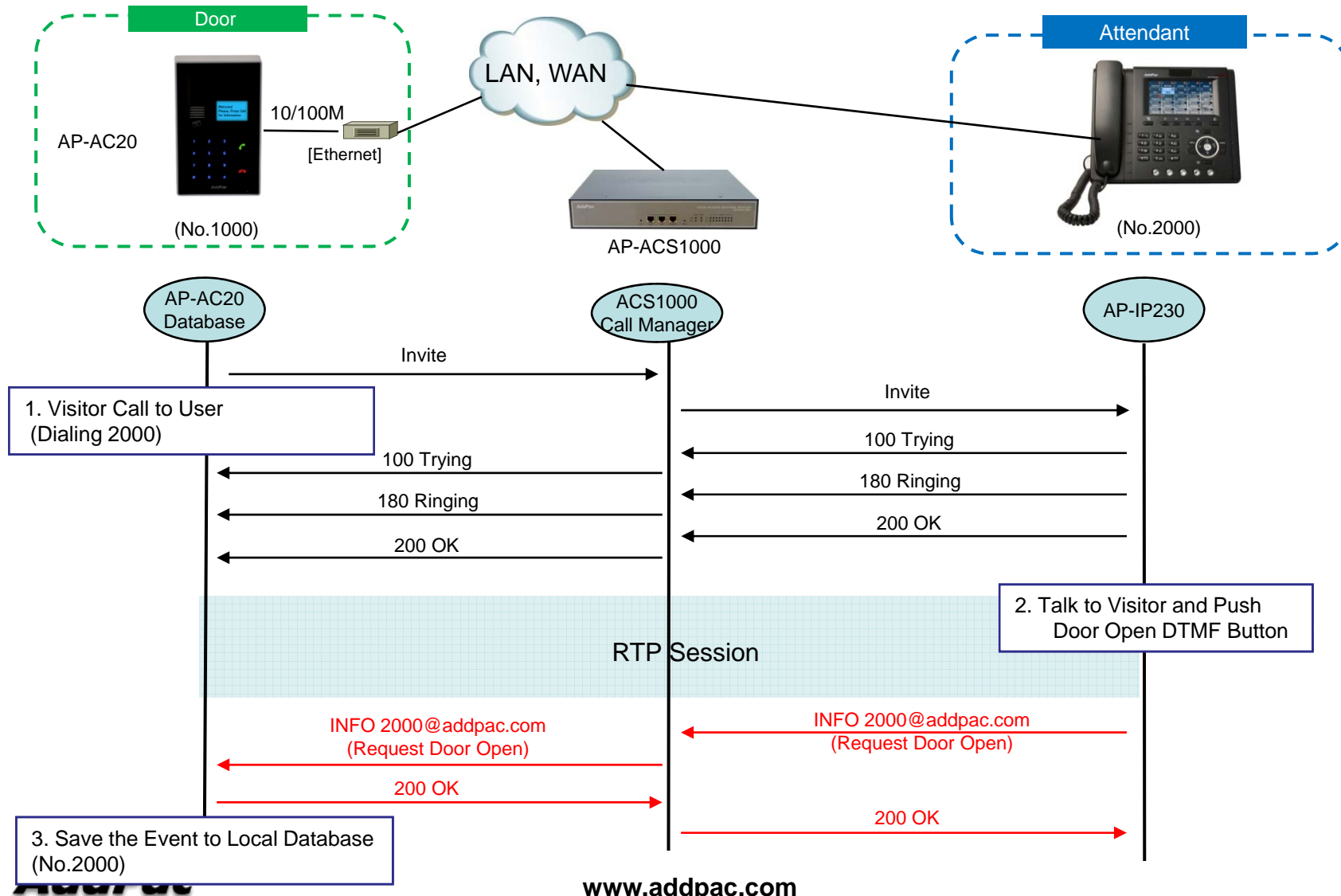
- Automatic Half Duplex Voice Communication Service Diagram
- SIP Voice Call Flow Diagram
 - Full Duplex Mode (Acoustic Echo Canceller)
 - Automatic Half Duplex Mode
- Smart Web Manager Configuration for Half Duplex Mode

Automatic Half Duplex Voice Communication

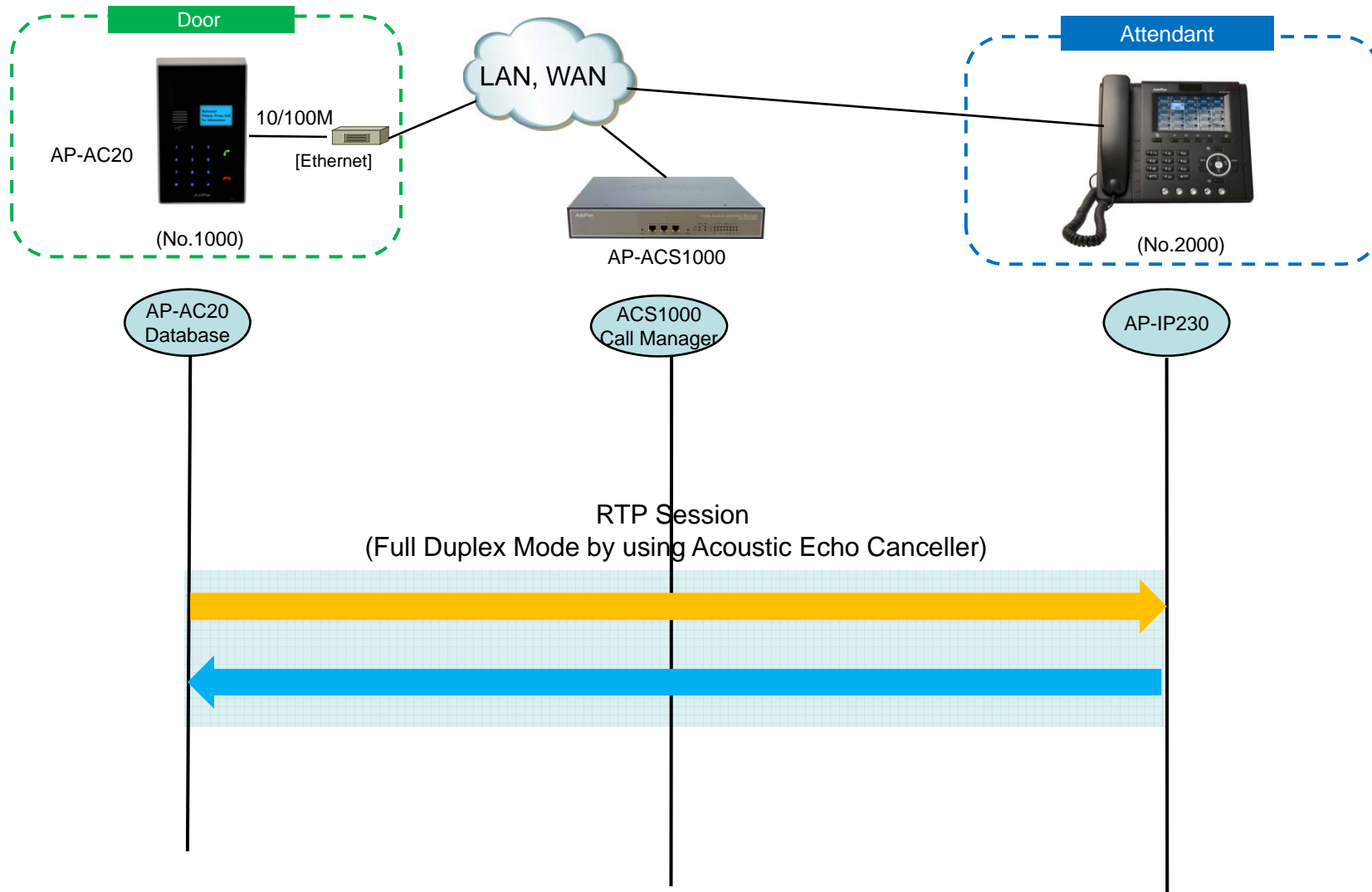
- Very useful in severe environment (ex: cave, tunnel, enclosed space)



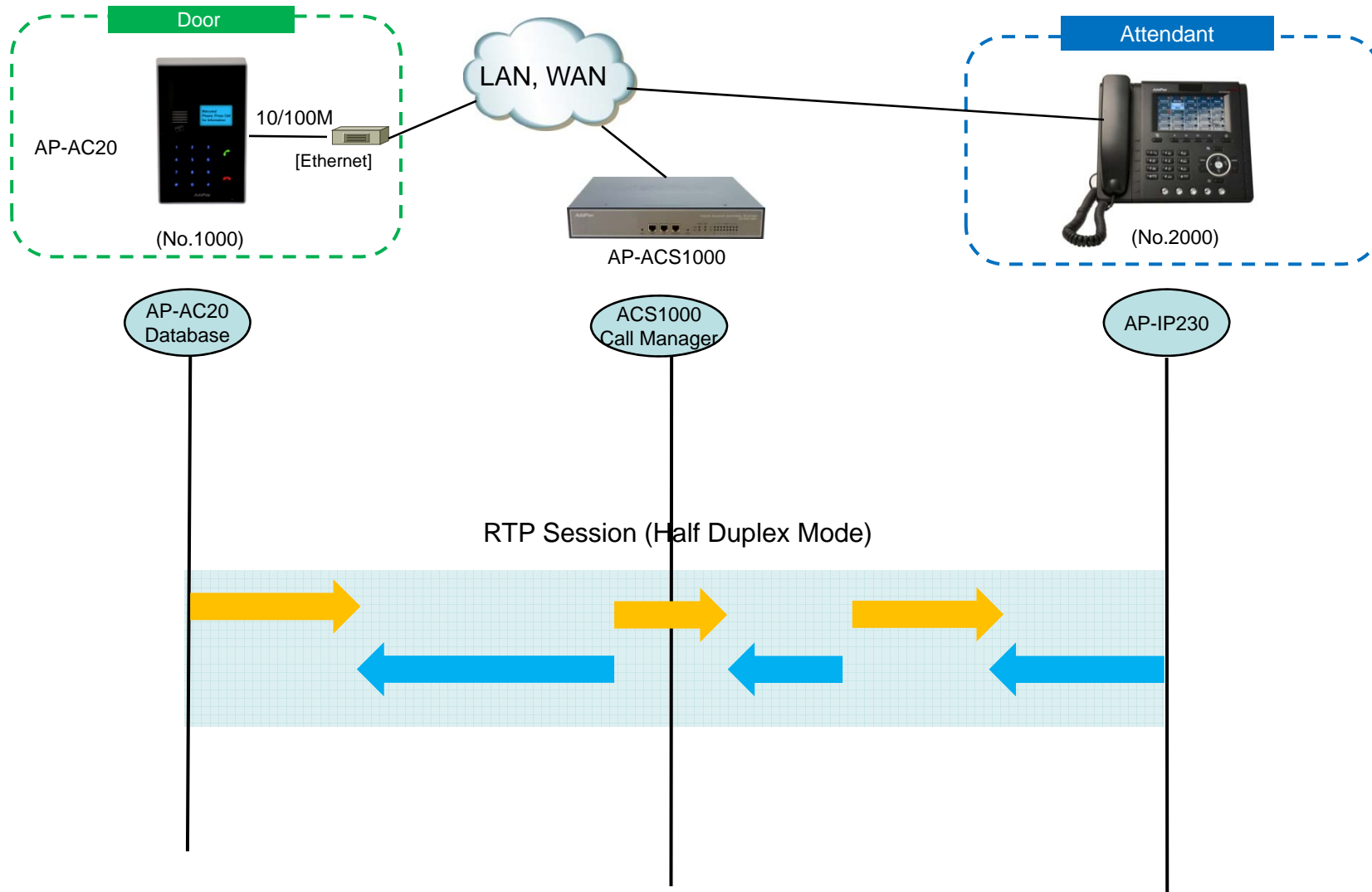
SIP Voice Call Flow



SIP Voice Call Flow (Full Duplex Mode)



SIP Voice Call Flow (Automatic Half Duplex Mode)



Smart Web Manager for Half Duplex Mode

Smart Web Manager
www.addpac.com

System +

Call & Media -

- Protocol
- Server SIP
- DTMF/Codec
- Speed Dial
- Group Dial
- VLC Configuration
- Media**
- Simultaneous Call

Door Access Control +

Advanced +

Miscellaneous +

Media

Camera ⓘ

Brightness : - + (0-127)

Contrast : - + (0-127)

Exposure : - + (0-8)

Flicker

Apply

Half Duplex
- enable /disable
- set speaker parameters

Advanced Audio

Enable Disable

Half Duplex

Speaker

Amplitude level : (0~32767, default=250)

Spurt sample count : (0~80, default=10)

Guard time : (0~9999, msec, default=200)

Enable Disable

Noise Reduction

Mic

Amplitude level : (0~32767, default=350)

Spurt sample count : (0~80, default=10)

Reduction value : (1~4, default=2)

Noise Reduction
- enable /disable
- set Mic parameters

AddPac



Thank you!

AddPac Technology Co., Ltd.
Sales and Marketing

Phone +82.2.568.3848 (KOREA)

FAX +82.2.568.3847 (KOREA)

E-mail sales@addpac.com