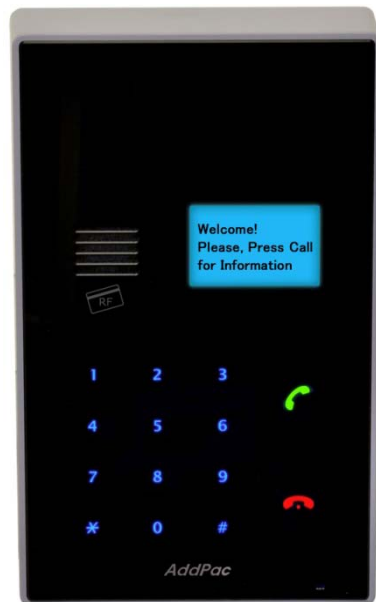


AP-AC20 IP Door Phone

High Performance IP Door Phone Solution



Multi-Terminal Ringing Service

AddPac

AddPac Technology

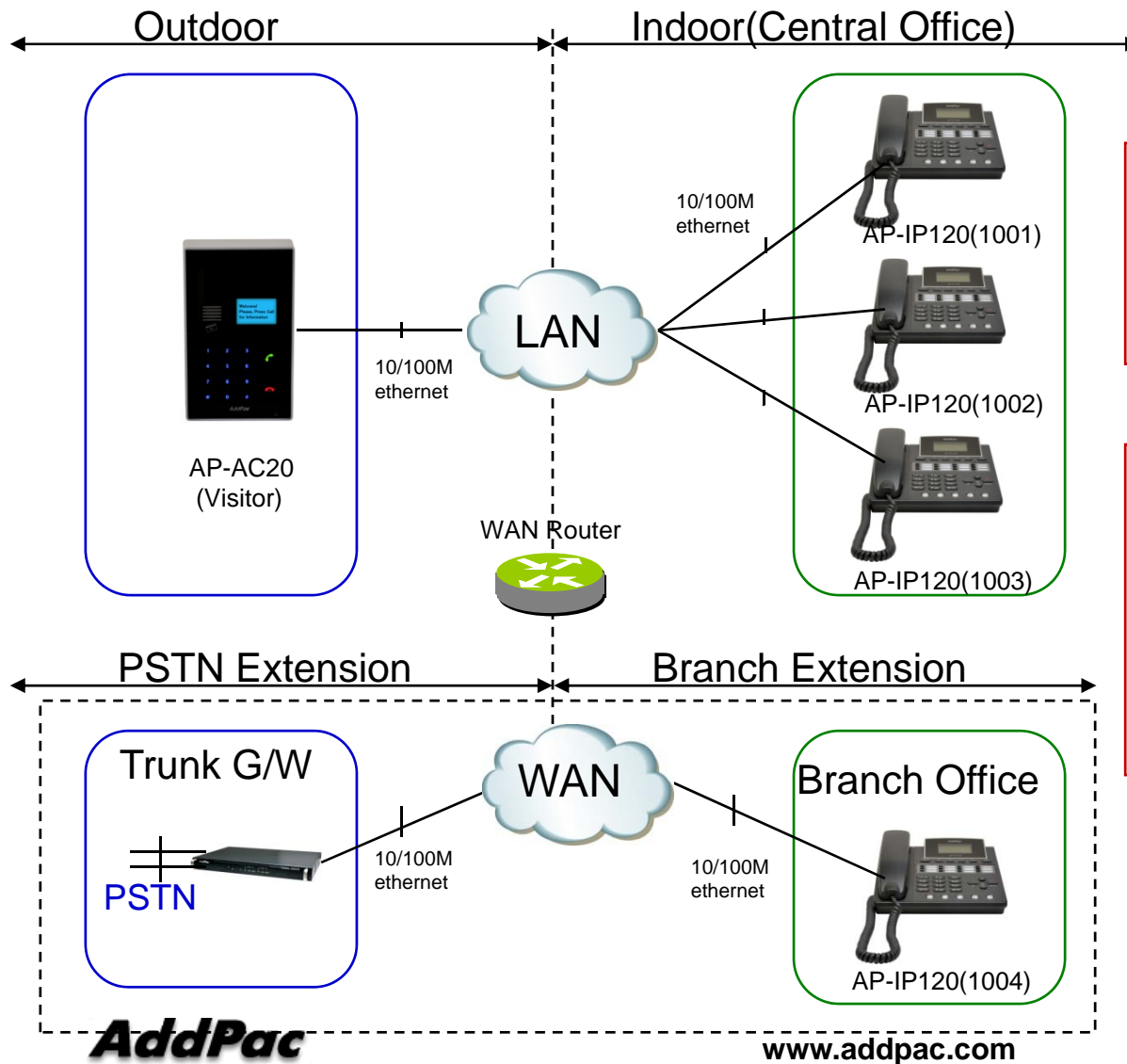
Sales and Marketing

Contents

- Multi-Terminal Ringing Service Network Diagram
- Signaling Flow



Multi-Terminal Ringing Network Service Diagram



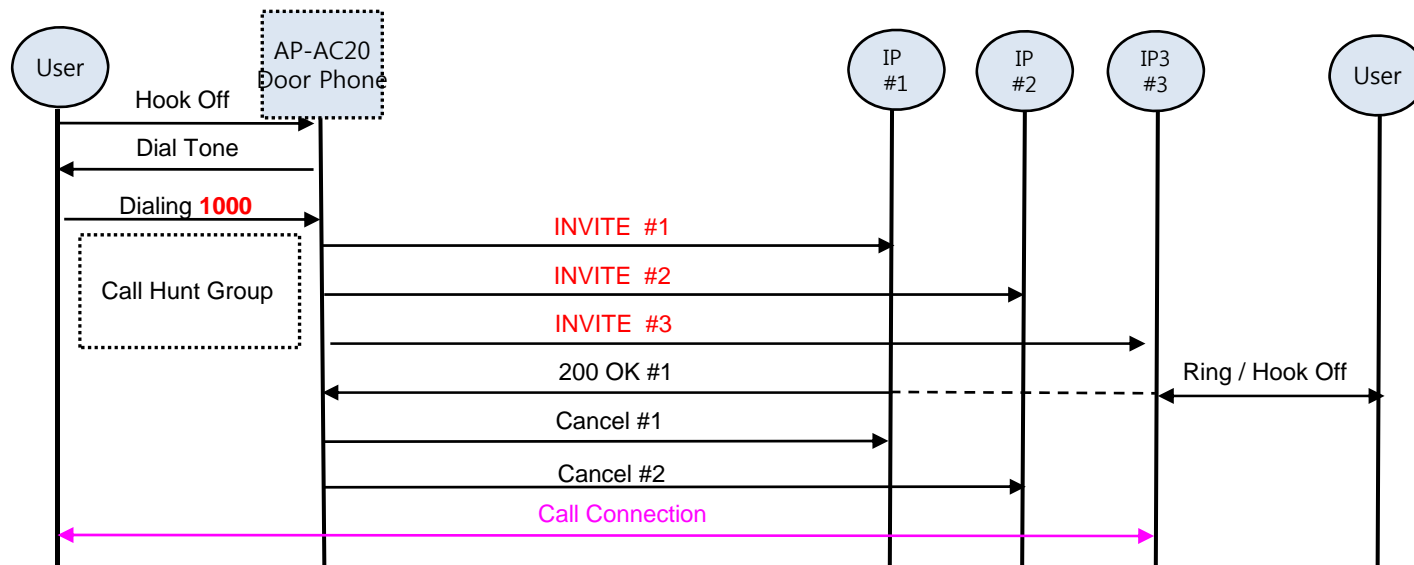
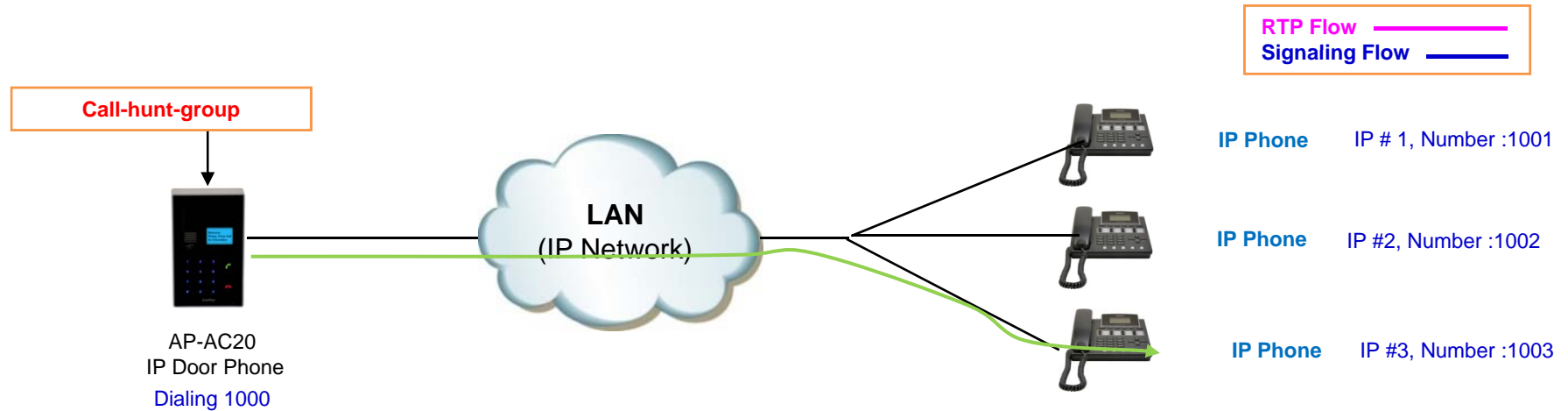
Benefits are

- When main secretary is busy or in absence, the others can response to the visitor's call.
- This service extends to WAN, Mobile or PSTN via VoIP Service Provider.

Simultaneous Ring Scenario Example

1. A Visitor call to '1000'
2. AP-AC20 calla to 1001, 1002 and 1003 by translation rule and simultaneous ring group.
3. Answered by 1003.
4. AP-AC20 connects to 1003 and disconnects all other calls.

Signaling Flow (IP Door Phone to IP Phones)





Thank you!

AddPac Technology Co., Ltd.
Sales and Marketing

Phone +82.2.568.3848 (KOREA)

FAX +82.2.568.3847 (KOREA)

E-mail sales@addpac.com