



# AP-GV3100

## 32-Port GSM VoIP Gateway

High Performance GSM VoIP Gateway Solution



# **AddPac**

**AddPac Technology**

Sales and Marketing

[www.addpac.com](http://www.addpac.com)

# Contents

- Product Overview
- Hardware Specification
- APOS Technology
- VoIP (Voice over IP) service
- Advanced QoS Features
- Network Protocols
- Network Management
- Smart Web Management
- Security Management
- Application Service
- Ordering Information



# Product Overview

## AP-GV3100 32-Port GSM VoIP Gateway

- Four(4) Module Slots for 8-Port GSM Module(Up to 32-Port GSM)
- One(1) Module Slots for System Processor Module
- Hot-Swap Function Support
- H.323/SIP Dual Concurrent Stack Embedded
- High Performance RISC & Programmable DSP Architecture
- G.711/G.726/G.723/G.729, T.38 Fax , VAD, etc
- Powerful Network Protocols (PPPoE, DHCP, Static Routing, etc)
- Two(2)10/100Mbps Fast Ethernet
- One(1) RS-232C Port for Command Line Interface
- Firmware Upgradeable Architecture
- Smart Web Manager Support
- Smart NMS(Network Management System) Support
- Advanced Voice QoS Mechanism
- Rack Mountable Chassis with Internal Power Supply

# Product Highlights

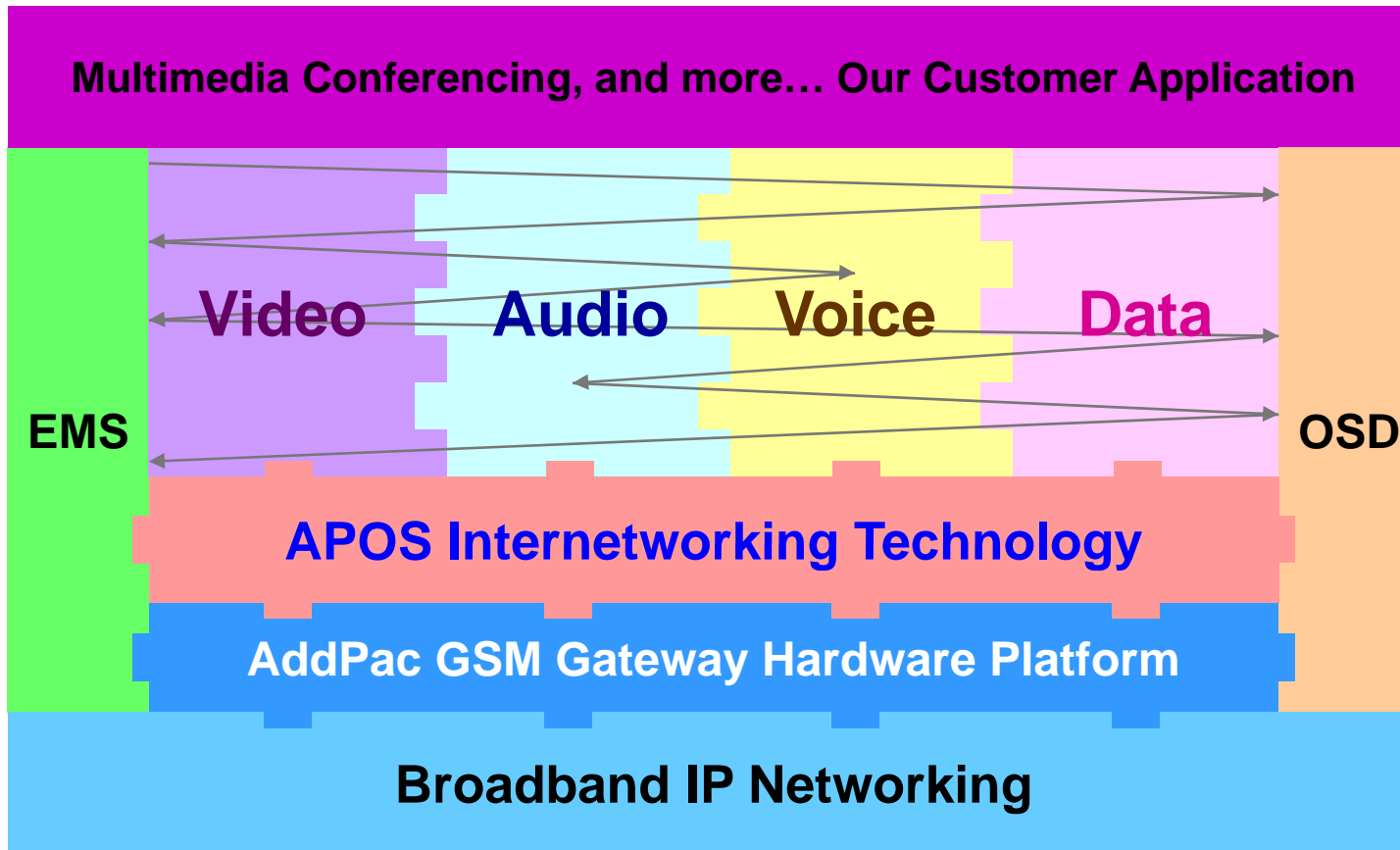
AP-GV3100 32-Port GSM VoIP Gateway

## Powerful GSM VoIP Gateway



# APOS Technology

AP-GV3100 32-Port GSM VoIP Gateway



- APOS : AddPac Internetworking Operating System
- OSD : On- Screen Display
- EMS : Element Management System

# Hardware Specification

AP-GV3100 32-Port GSM VoIP Gateway

RISC  
CPU

High-end  
DSP

- RISC Microprocessor Computing Power
- Four(4) Module Slots for GSM VoIP Interface
- One(1) Module Slots for System Processor
- 8-Port GSM Modules (AP-N5-GSM8I, AP-N5-GSM8SI, AP-N5-GSM8UI)
  - 8-Port Front SIM Card Slots
  - 8-Port Antenna Interface
  - Hot-Swap
- Network Interface
  - Two(2) 10/100Mbps Fast Ethernet (RJ45)
- RS232C Console Interface for CLI
- Run LED, LAN LED, Port LEDs
- Internal Power Supply



# Hardware Specification

AP-GV3100 32-Port GSM VoIP Gateway

RISC  
CPU

High-end  
DSP

<b>AP-GV3100 GSM VoIP Gateway</b>	<b>Basic Specifications</b>
<b>Voice Interface</b>	Four(4) Module Slots for GSM VoIP Interface
	AP-N5-GSM8I, AP-N5-GSM8SI, AP-N5-GSM8UI
<b>Ethernet Interface</b>	2-Ports 10/100Mbps Ethernet Interface(RJ-45)
<b>Flash Memory</b>	512Mbyte NAND Flash Memory
<b>Base Memory</b>	128Mbyte High-speed DDR2
<b>Power Requirement</b>	Power Supply / VAC 110~220V, 50/60Hz, 5V 30A
<b>Operating Temperature</b>	0°C ~ 45°C (32 °F ~ 122°F)
<b>Storage Temperature</b>	-40°C ~ 85°C (-40°C ~ 185°F)
<b>Relative Humidity</b>	5% ~ 95% (Non-condensing)
<b>Dimension (H x W x D)</b>	60mm x 440mm x 407mm
<b>Weight(kg)</b>	6.58Kg

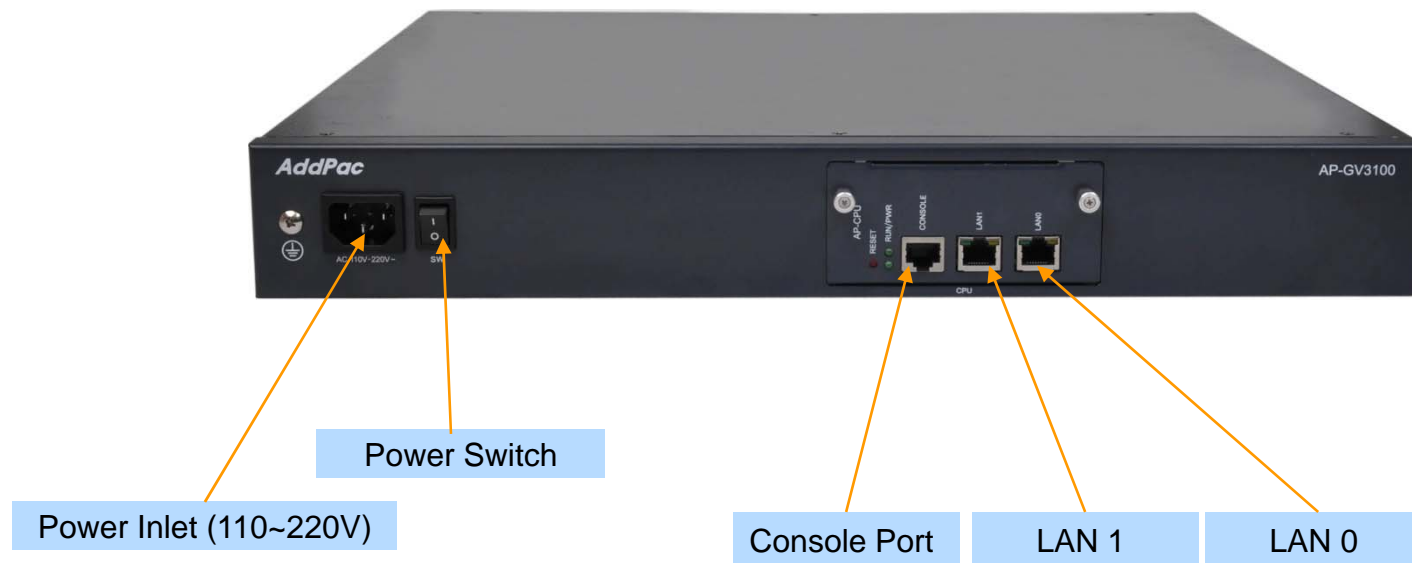
# Hardware Specification

AP-GV3100 32-Port GSM VoIP Gateway

RISC  
CPU

High-end  
DSP

## Front Side View





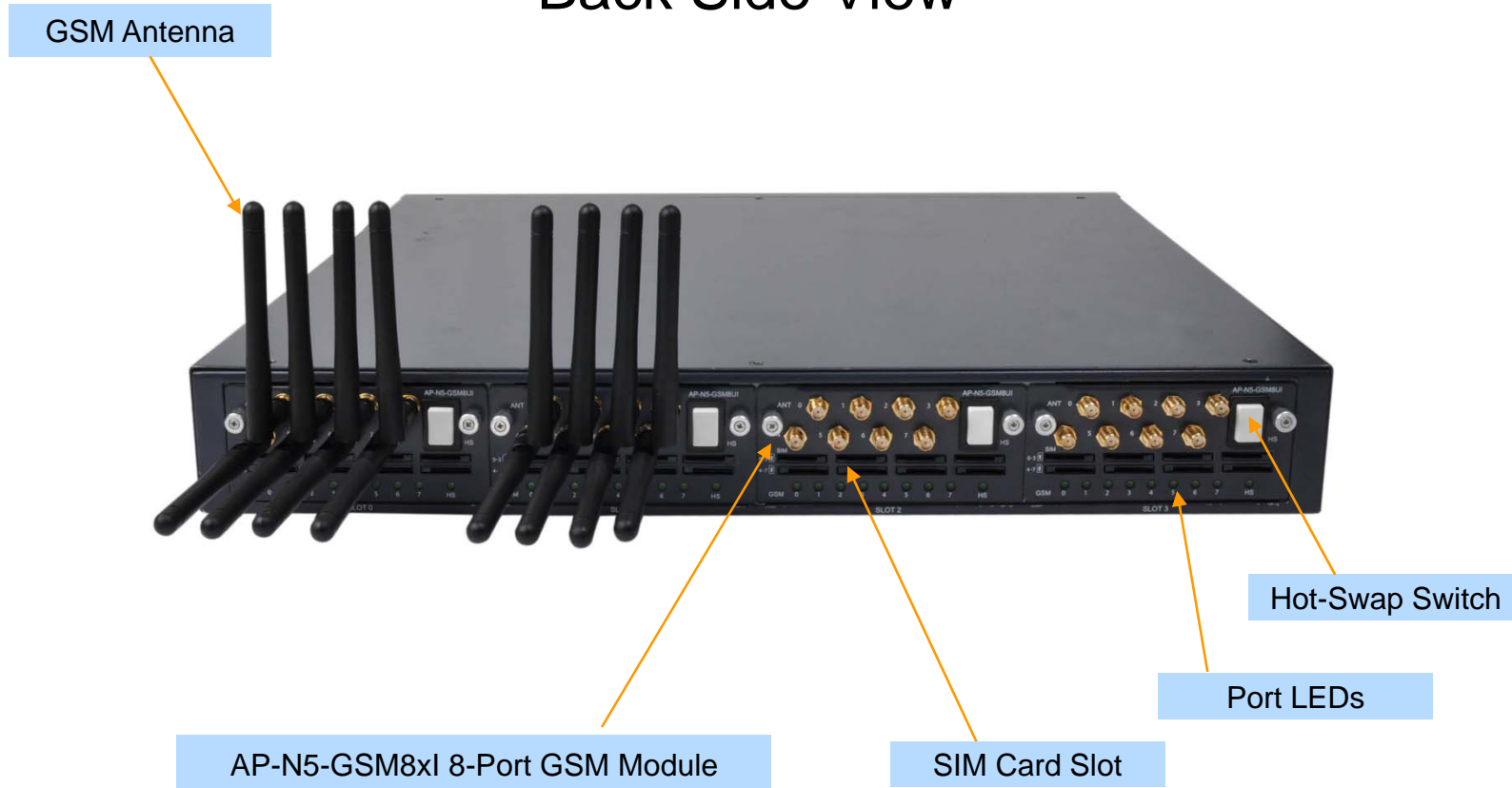
# Hardware Specification

AP-GV3100 32-Port GSM VoIP Gateway

RISC  
CPU




High-end  
DSP

## Back Side View



# GSM VoIP Modules

## AP-GV3100 32-Port GSM VoIP Gateway

Model	AP-N5-GSM8I	AP-N5-GSM8SI	AP-N5-GSM8UI
			
Available Target	AP-GV3300 AP-GV3200 AP-GV3100 AP-GV2000 AP-GS1016	AP-GV3300 AP-GV3200 AP-GV3100 AP-GV2000 AP-GS1016	AP-GV3300 AP-GV3200 AP-GV3100 AP-GV2000 AP-GS1016
GSM Channel	8-Port	8-Port	8-Port
IMEI change	Support : Multiple Change	Support : Multiple Change	Support : One Time Change
Frequency Band	Quad-Band	Dual-Band (900MHz, 1800MHz)	Quad-Band
External Antenna	8	8	8
Hot-Swap	Support	Support	Support
VoIP Codec	G.711, G.729, G.723.1,etc	G.711, G.729, G.723.1,etc	G.711, G.729, G.723.1,etc

# Hardware Specification

AP-GV3100 32-Port GSM VoIP Gateway

RISC  
CPU

High-end  
DSP

SIM Card Slot



AP-N5-GSM8xI  
(8-Port GSM Module)

GSM Antenna  
Internal 4Ch Combiner

Hot-Swap Switch

Port LEDs

# Hardware Specification

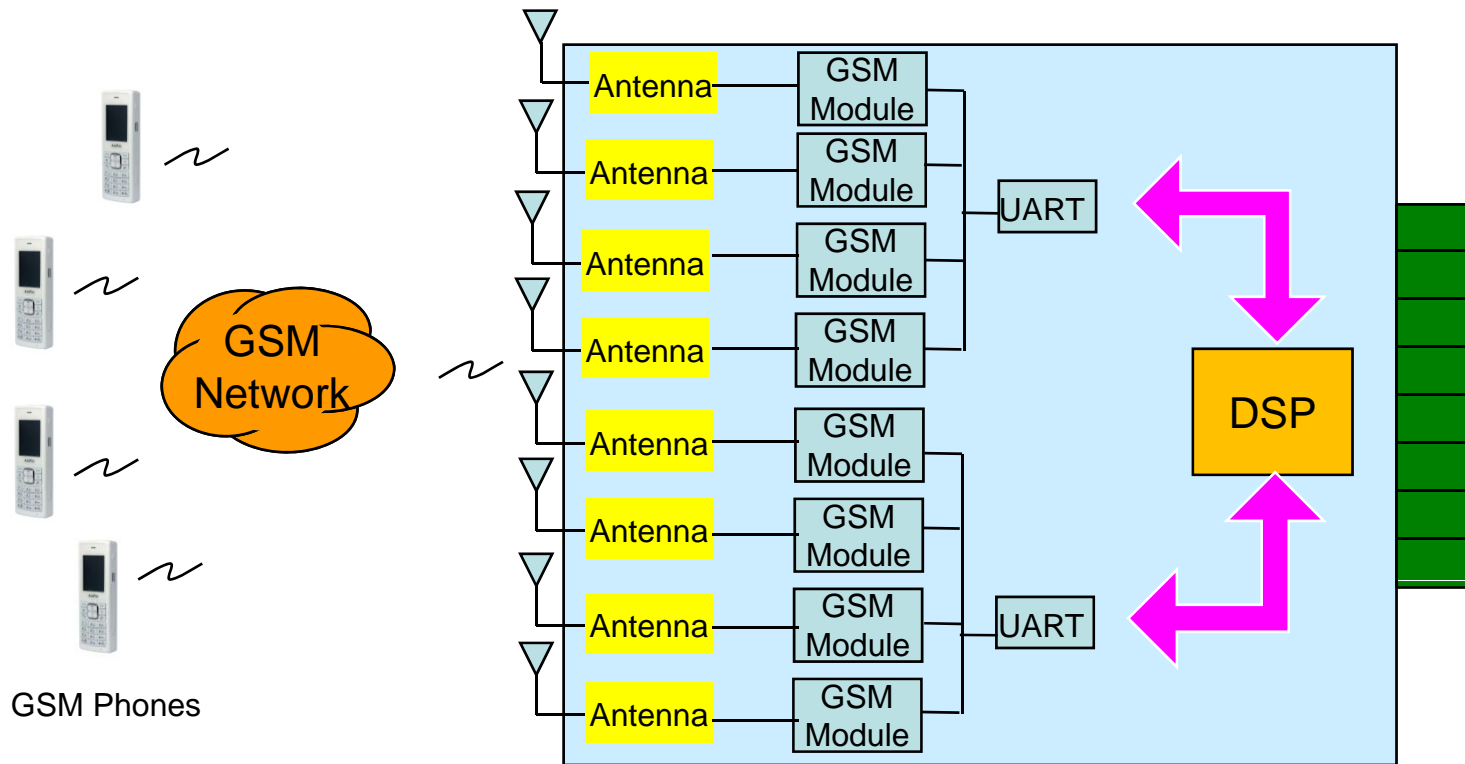
AP-GV3100 32-Port GSM VoIP Gateway

RISC  
CPU

High-end  
DSP

## GSM Gateway Service Diagram

8-Port GSM Module Internal H/W Block Diagram



# Hardware Specification

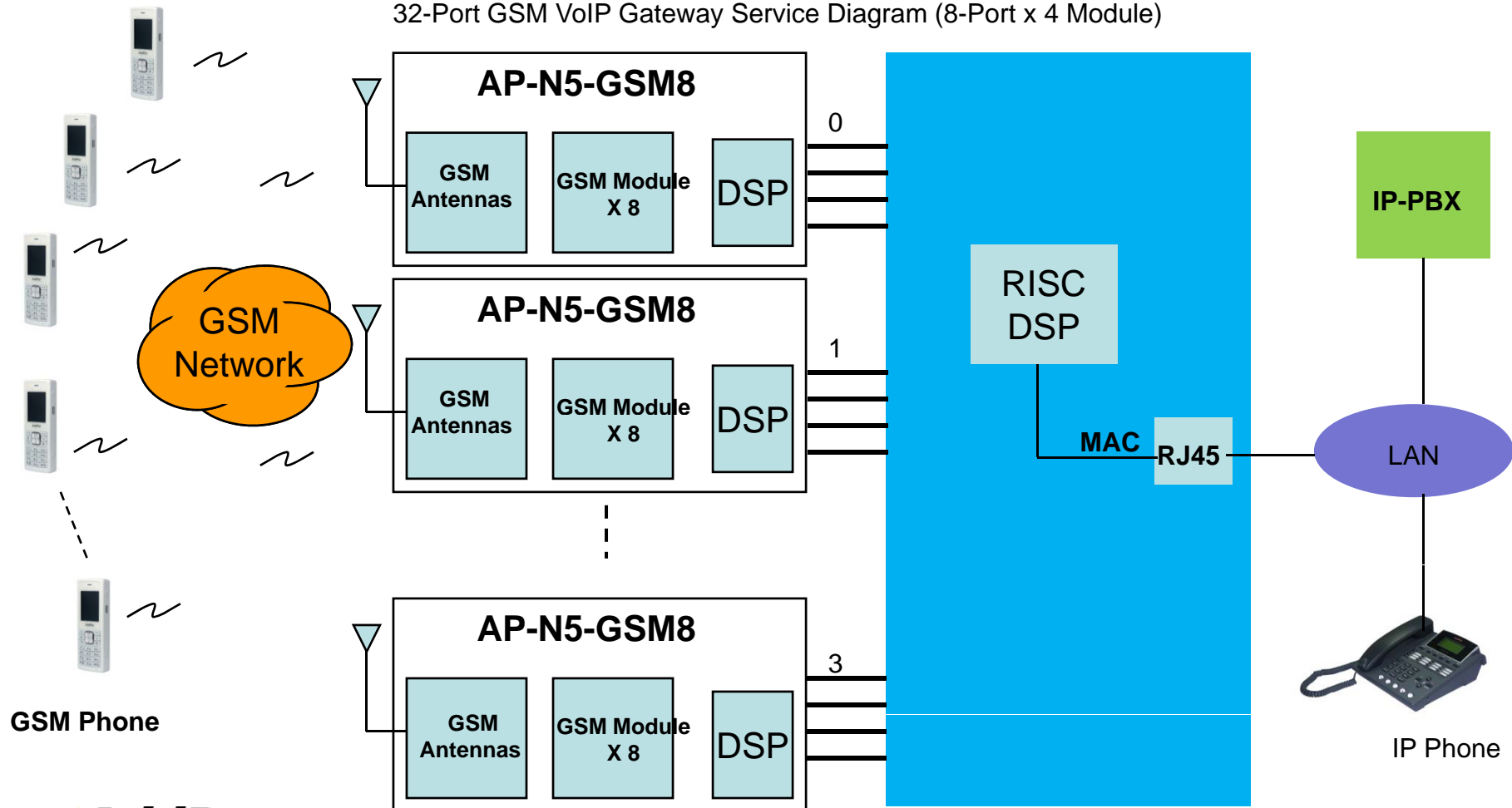
AP-GV3100 32-Port GSM VoIP Gateway

RISC  
CPU

High-end  
DSP

## GSM VoIP Gateway Service Diagram

32-Port GSM VoIP Gateway Service Diagram (8-Port x 4 Module)



GSM Phone

**AddPac**

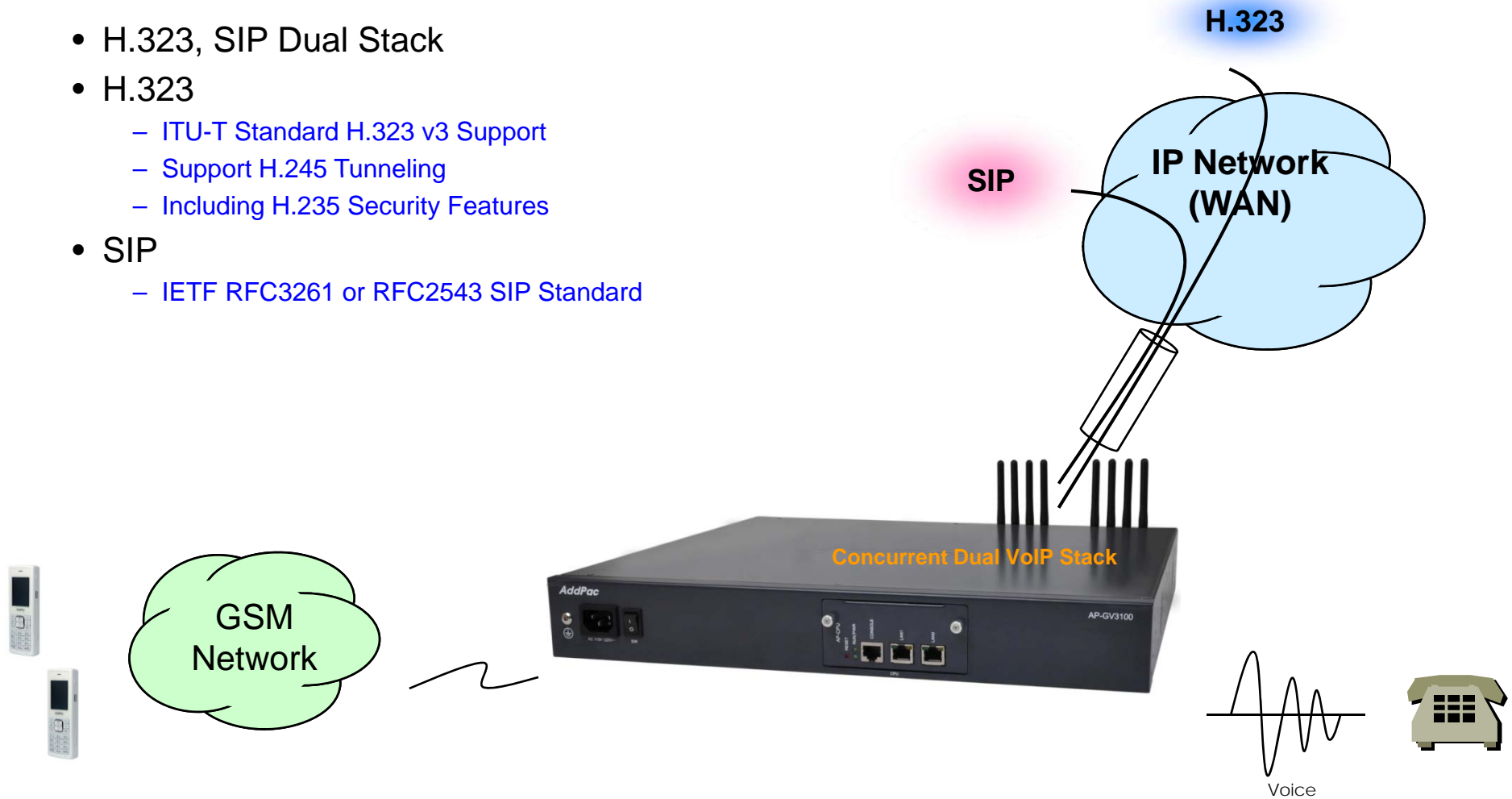
www.addpac.com

IP Phone

# VoIP (Voice over IP) Service

## AP-GV3100 32-Port GSM VoIP Gateway

- H.323, SIP Dual Stack
- H.323
  - ITU-T Standard H.323 v3 Support
  - Support H.245 Tunneling
  - Including H.235 Security Features
- SIP
  - IETF RFC3261 or RFC2543 SIP Standard



# VoIP (Voice over IP) Service

## AP-GV3100 32-Port GSM VoIP Gateway

- H.323

- Fast connect, normal connect support
- H.245 tunneling support
- Q.931 response message setting for inbound VoIP calls
- H.245 logical channel open timing selection function
- Start H.245 procedure support
- DTMF / Hook flash relay with H.245 alphanumeric / signal
- Secondary gatekeeper support
- Gatekeeper assignment according to the domain name
- Gatekeeper discovery with multicast
- Lightweight RRQ support
- Signaling TCP port assignment
- Resource threshold setting with RAI
- H.235 clear-token, crypto-token support
- canMapAlias support
- Technical prefix (supported prefix) support
- Public IP assignment in NAT environment

- SIP

- Gateway-based / Endpoint-based registration support
- Secondary proxy-server assignment function
- SIP signaling port change function
- SIP proxy server assignment according to the domain name
- T.38 real-time fax relay support
- DTMF relay support with RFC2833 / OPTION message
- Re-INVITE support

# VoIP (Voice over IP) Service

## AP-GV3100 32-Port GSM VoIP Gateway

- Voice Codec

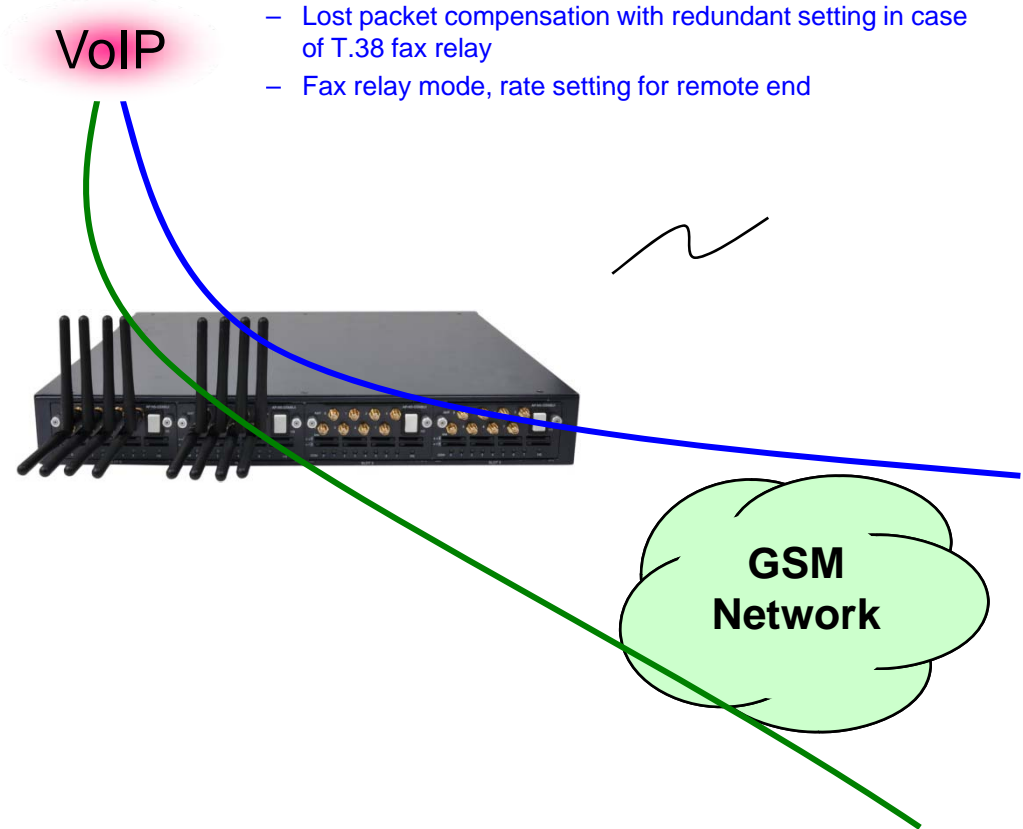
- G.711 A-Law, G.711 U-Law
- G.726 r16, G.726 r32
- G.729A
- G.723.1 r63, G.723.1 r53
- VAD (Voice Activity Detection) function support
- DTMF relay support (H.323, SIP, MGCP common) based on RFC2833

- RTP

- Redundant RTP packet transmission in case of severe packet loss
- Dynamic jitter buffer management and RTP packet jitter and loss compensation with heuristic & DSP error concealment
- Static jitter buffer setting support
- Voice frame per RTP packet number control for each codec
- In-band ring-back tone support
- Virtual ring-back tone support
- Tone parameter change support

- FAX

- Fax relay mode supporting T.38, inband-T.38, bypass mode
- Lost packet compensation with redundant setting in case of T.38 fax relay
- Fax relay mode, rate setting for remote end





# VoIP (Voice over IP) Service

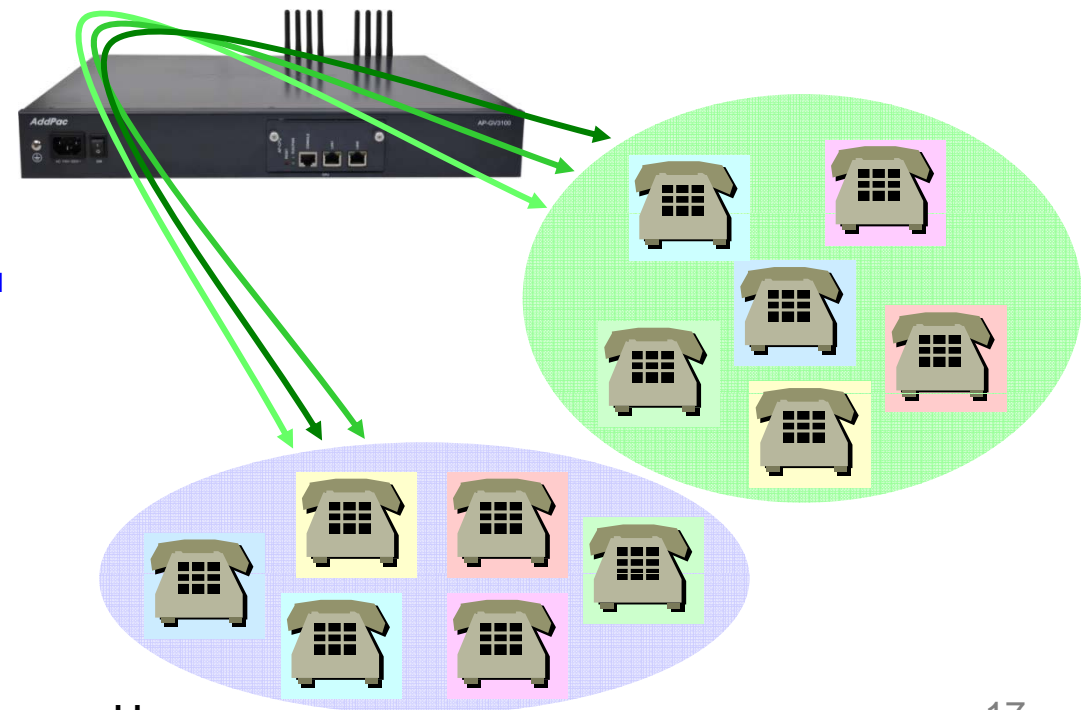
## AP-GV3100 32-Port GSM VoIP Gateway

- VoIP Call Controls

- Hot line connection function with PLAR (Private Line Auto Ring Down)
- Leased line emulation function
- Connection monitoring function
- Fault tolerant with Redundancy and Call Distribution among Gateways for load balancing
- Call attempt with IP address
- H.323, SIP, MGCP inbound call connection for each voice port
- Multiple E.164 setting for one voice port
- One E.164 or digit pattern can be assigned to more than one voice port
- Hunting with Longest match/ priority/ sequence/ random
- One stage call setup by Digit forwarding
- Call barring with specific digit patterns
- Calling and called number conversion for PSTN outbound calls
- PSTN rerouting in case of VoIP call attempt failure

- VoIP Call Controls (cont.)

- Call transfer for internal calls
- Call pickup for internal calls
- Calling and called number conversion for VoIP outbound calls
- Calling and called number conversion for VoIP inbound calls



# Advanced QoS Features

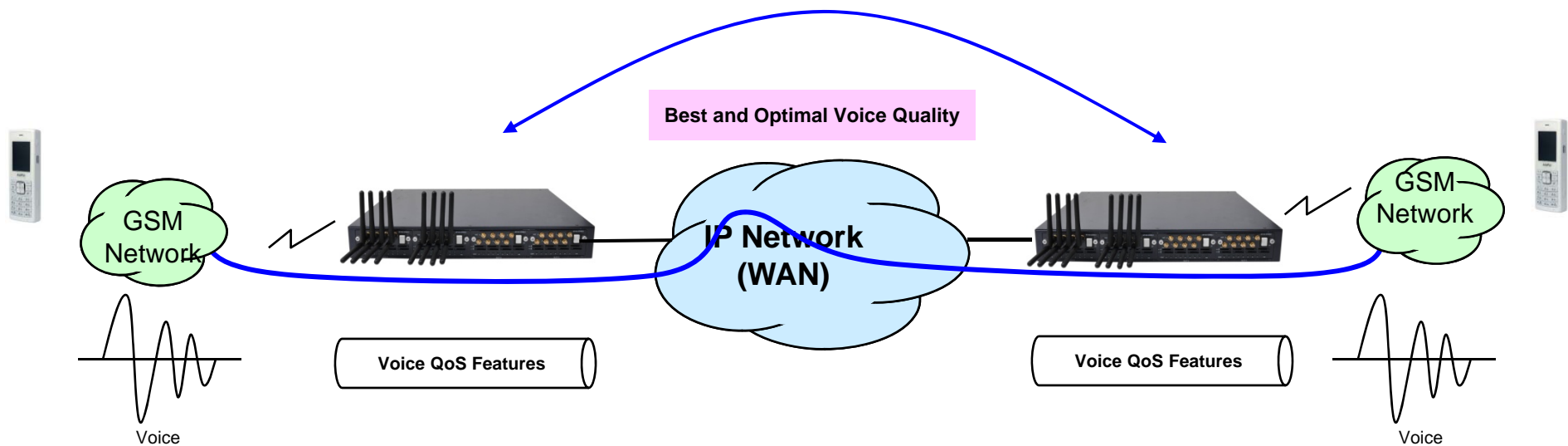
## AP-GV3100 32-Port GSM VoIP Gateway

- Enhances **Transmit** Voice QoS Features

- Voice Traffic Priority Queuing
- QoS Service Profiling
- Providing Virtual Network Transmit Algorithm
- Real-time Voice Traffic QoS Support
- RTP Packet Transmit Interval Control
- Supporting RTP Packet Redundancy Scheme
- IP Header Control such as ToS, Diffserv

- Enhances **Receive** Voice QoS Features

- Dynamic Jitter Buffer Management
- Error Concealment
- Support T.38 FAX Data Error Recovery Scheme



# Network Protocols

AP-GV3100 32-Port GSM VoIP Gateway

## Basic Network Protocols

- ARP, IPv4, TCP, UDP, ICMP, SCTP, IGMP, MLD

## Routing Protocol

- IPv4 : Static

## Service Protocol

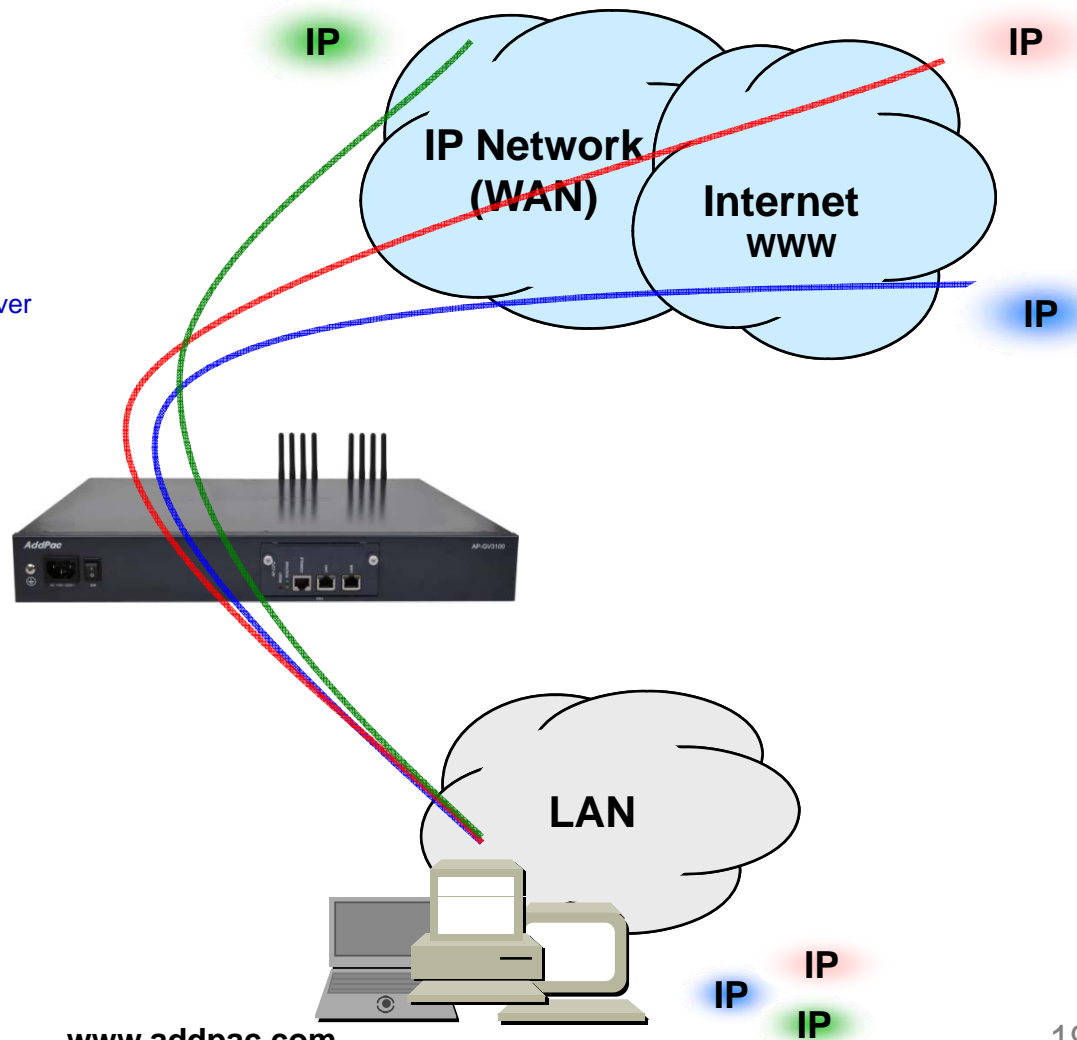
- FTP, Telnet, TFTP, DHCP Server/Relay, SNMP Server
- CDP (Cisco Discovery Protocol)
- DNS Resolver , DDNS(nsupdate)
- Bridge
- Syslog

## IPv4 Address Configuration

- Fixed (Static)
- DHCP
- PPPoE

## Miscellaneous

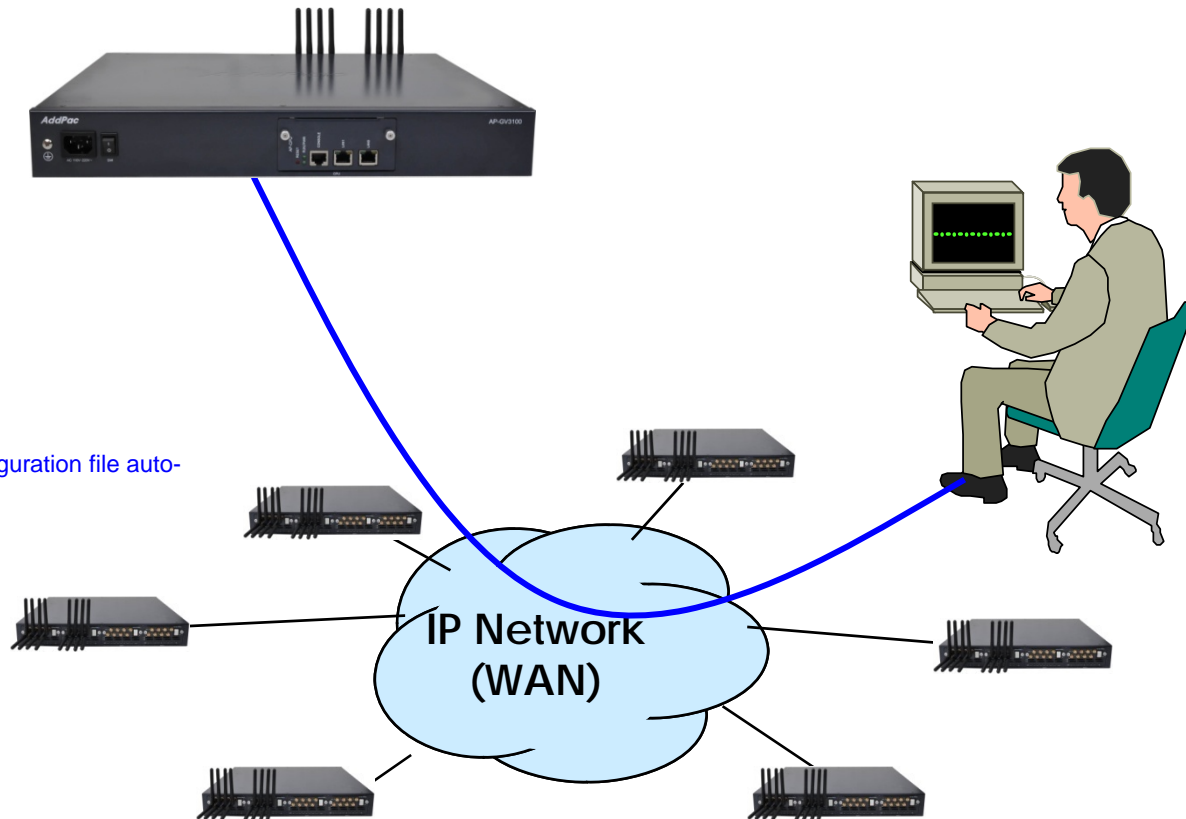
- Cisco Style CLI
- Standard & Extended IPv4 Access List
- Multi-level User Account Management
- IP accounting
- STUN Client



# Network Management

## AP-GV3100 32-Port GSM VoIP Gateway

- SNMP
  - Standard Simple Network Management Protocol( SNMP) Agent support
  - MIB v1 and v2 Support
- Web-based Management
  - Smart Easy Setup
  - Standard Voice Interface
  - Standard PSTN Back-up Interface
- Watch-dog Function
  - Hardware, Software watch-dog services
- Remote Management
  - Telnet
  - Rlogin
- Auto Upgrade Service
  - HTTP server based APOS image and configuration file auto-upgrade support
- Batch Job Function
  - Text based script downloading
- Interoperable with Smart NMS Service
  - AddPac Smart Network Management System



# Smart Web Manager

AP-GV3100 32-Port GSM VoIP Gateway

- **System Configuration**
  - Network Setup, Language, NAT, PPTP, NTP
- **Basic Configuration**
  - Protocol, SIP Server , FXS Extension, GSM Extension
  - DTMF/CODEC, VoIP Dial Plan, GSM Dial Plan, Static Routing, Hot Line
- **Advanced Configuration**
  - Gain/CID, GSM PINs, FAX, Service, Filtering, Security
  - GSM Web Callback, GSM Callback
- **Miscellaneous Configuration**
  - Call Status, System Status, Alarm Status, GSM Status
  - Call Log, System Log, Ping
- **LCR(Least Cost Routing)**
  - Black & White List, Time Interval, Tariff Group, LCR Test
- **SMS**
  - Inbox, SMS New Message

# Smart Web Manager : Main Page Layout

AP-GV3100 32-Port GSM VoIP Gateway

**Main Menu**  
For easy system setup, provide the various menu and category

- System
  - Network Setup
  - Language
  - NAT
  - PPTP
  - NTP
- Basic
  - Protocol
  - Server SIP
  - SIP Registration
  - FXS Extension
  - GSM Extension
  - DTMF/CODEC
  - VoIP Dial Plan
  - GSM Dial Plan
  - Static Route
  - Hot Line
- Advanced
  - Gain & CID
  - GSM PINs
  - Fax
  - Service
  - Filtering
  - Security
  - SNMP
  - WEB Callback
  - GSM Callback

**Tool Bar**  
Provide frequently used tools like as System Update, Configuration Backup, Initialization, Restart, Telnet

**Information**  
Display the current system version and status summary

System Information	
H/W Version	2.0
SW Version	8.00d
MAC Address	0002.a400.0000
VoIP Protocol	SIP
Voice Interface Module	G(2)S(2)
Registration Status	Registered
Supported Codec List	
Network Information	Static 172.16.9.16
WAN LINK Status	100Mbps FULL Duplex Link UP
LAN LINK Status	Link Down
Current Time	Fri Jan 1 01:49:57 2010
System Startup Time	Fri Jan 1 00:00:00 2010
	0 days 01:49:57
	0

**Workspace**  
Workspace for detailed action

**Description**  
Display the help message if you move mouse over main menu

**Information**  
AddPac Technology  
Model : GS1002\_G2  
H/W Version : 2.0  
S/W Version : 8.00d  
Smart Web Version : 0.4  
Smart Web Build : Mar 24 2010  
Voice Interface : G(2)S(2)  
Protocol : SIP  
Status : Registered  
CurrentCalls : 0 Call  
Network : Static 172.16.9.16  
Mac Address : 0002.a400.0000  
Unread Message : P0:0(0)  
P0:1(0)

**Description**

# Smart Web Manager : System – Network Setup

## AP-GV3100 32-Port GSM VoIP Gateway

**Host Name**  
Create a representative name for the site to be installed

**Static IP**  
This is static IP mode. Specify the addressed IP from the service provider

**PPPoE**  
This is ADSL mode. This mode is used for addressing IP though authentication from the modem. At this time, the modem must be configured in a way that the device can be authenticated.

**DHCP**  
This is dynamic IP mode which is set at default. The IP can be addressed from the external DHCP server.

**VLAN**  
Configure VLAN mode and ID.

**WAN Link**  
Controls and recognizes WAN port. Specify the connection speed of WAN port. connection automatically.

**MAC**  
Change MAC address of WAN interface. Without address entry, use the basic MAC Address.

**Network Setup**

Hostname: GS1002

Static IP

IP Address: 172.16.9.16 (A.B.C.D)

Network Mask: 255.255.0.0 (A.B.C.D)

Default Router: 172.16.1.1 (A.B.C.D)

DNS Server: [ ] Primary DNS Server  
[ ] Secondary DNS Server

PPPoE(ADSL)

Username: [ ]

Password: [ ]

DHCP

VLAN

ID: [0]

Auto

WAN Link Control

Speed:  100  10

Duplex:  full  half

Manual

MAC(Hardware) Address: [ ]-[ ]-[ ]-[ ]-[ ]-[ ]

Information

AddPac Technology  
Model : GS1002\_G2  
H/W Version : 2.0  
S/W Version : 8.00d  
Smart Web Version : 0.4  
Smart Web Build : Mar 24 2010  
Voice Interface  
G(2)S(2)  
Protocol : SIP  
Status : Registered  
CurrentCalls : 0 Call  
Network : Static 172.16.9.16  
Mac Address : 0002.a400.0000  
Unread Message:  
P0:0(0)  
P0:1(0)

Description

This command sets up WAN port. The static IP address is to be assigned to the WAN port. The static IP address can be changed. MAC Address change can be used only when necessary. It is recommended to use the address created by the user not the address of the device

UnRead SMS Messages

Apply

# Smart Web Manager : Basic – GSM Extension

## AP-GV3100 32-Port GSM VoIP Gateway

**Smart Web Manager**  
www.addpac.com

**System**

- Network Setup
- Language
- NAT
- PPTP

**System**

- Server SIP
- SIP Registration
- FXS Extension
- **GSM Extension**

**Advanced**

- Gain & CID
- GSM PINs
- Fax
- Service
- Filtering
- Security
- SNMP
- WEB Callback
- GSM Callback

**Miscellaneous**

- Call Status
- System Status
- Alarm Status
- GSM Status
- Call Log
- System Log
- Ping
- BTS Selection
- GSM BTS Info

**GSM Extension**

**Port Information**

Port	P0	P1	P2	P3
SLOT0	GSM	GSM	FXS	FXS

**GSM Extension Configuration**

Index	Port	Numbers	Preference	HuntStop	Select
0	0/0	T	0	X	<input type="checkbox"/>

**GSM Extension with Translation**

Port	Destination Pattern	Digits to Insert	Number of Digits to Delete
P0:0	33	8	1
P0:1			0

**Information**

AddPac Technology  
Model : GS1002\_G2  
H/W Version : 2.0  
S/W Version : 8.00d  
Smart Web Version : 0.4  
Smart Web Build : Mar 24 2010  
Voice Interface  
G(2)S(2)  
Protocol : SIP  
Status : Unregistered  
CurrentCalls : 0 Call  
Network : Static 172.16.9.16  
Mac Address : 0002.a400.0000  
Unread Message:  
P0:0(0)  
P0:1(0)

**Description**

Set up for using GSM port to extension number (forwarding No)

**Port Information**  
voice port type & physical port

**GSM Extension**  
Configure GSM phone-number for receiving a call (usually 'T' is used for each port)

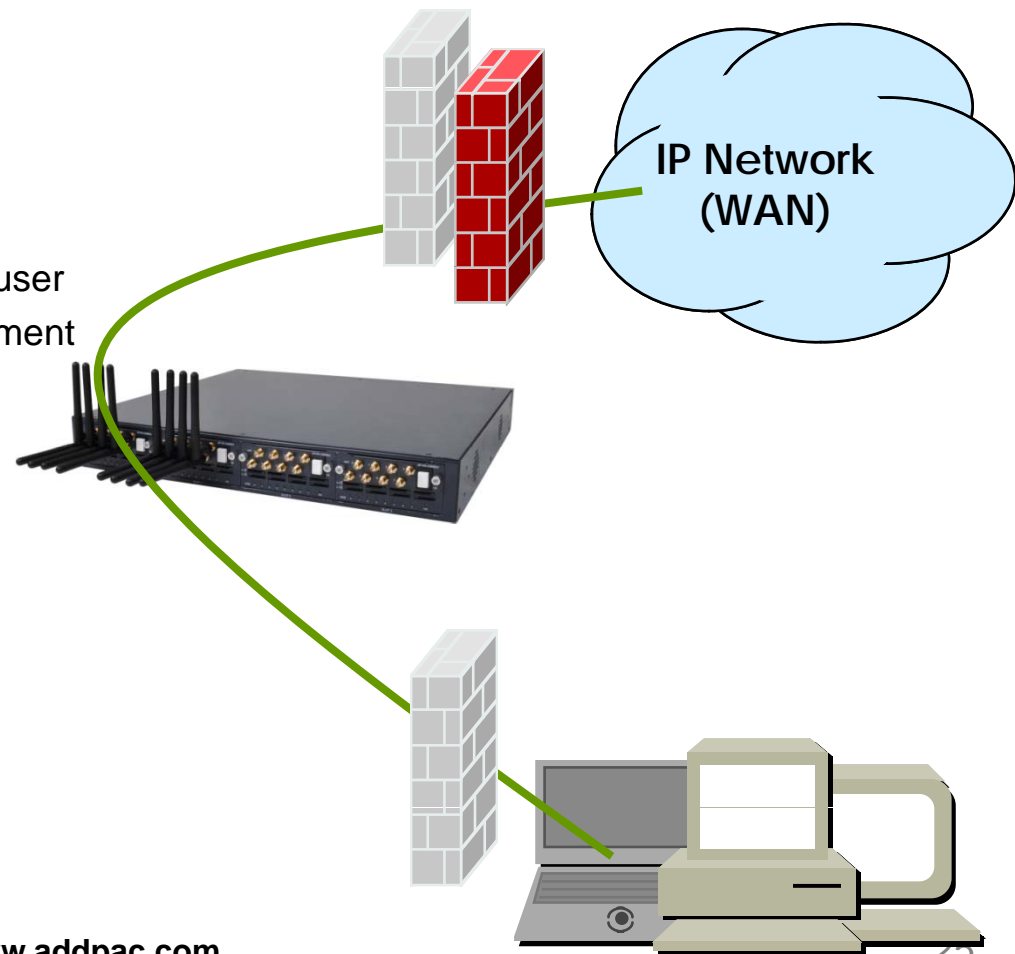
**GSM Extension with Translation**  
Used to GSM callback  
- The Received CID is not real serving number.  
- The specified translation rule is applied.



# Security Management

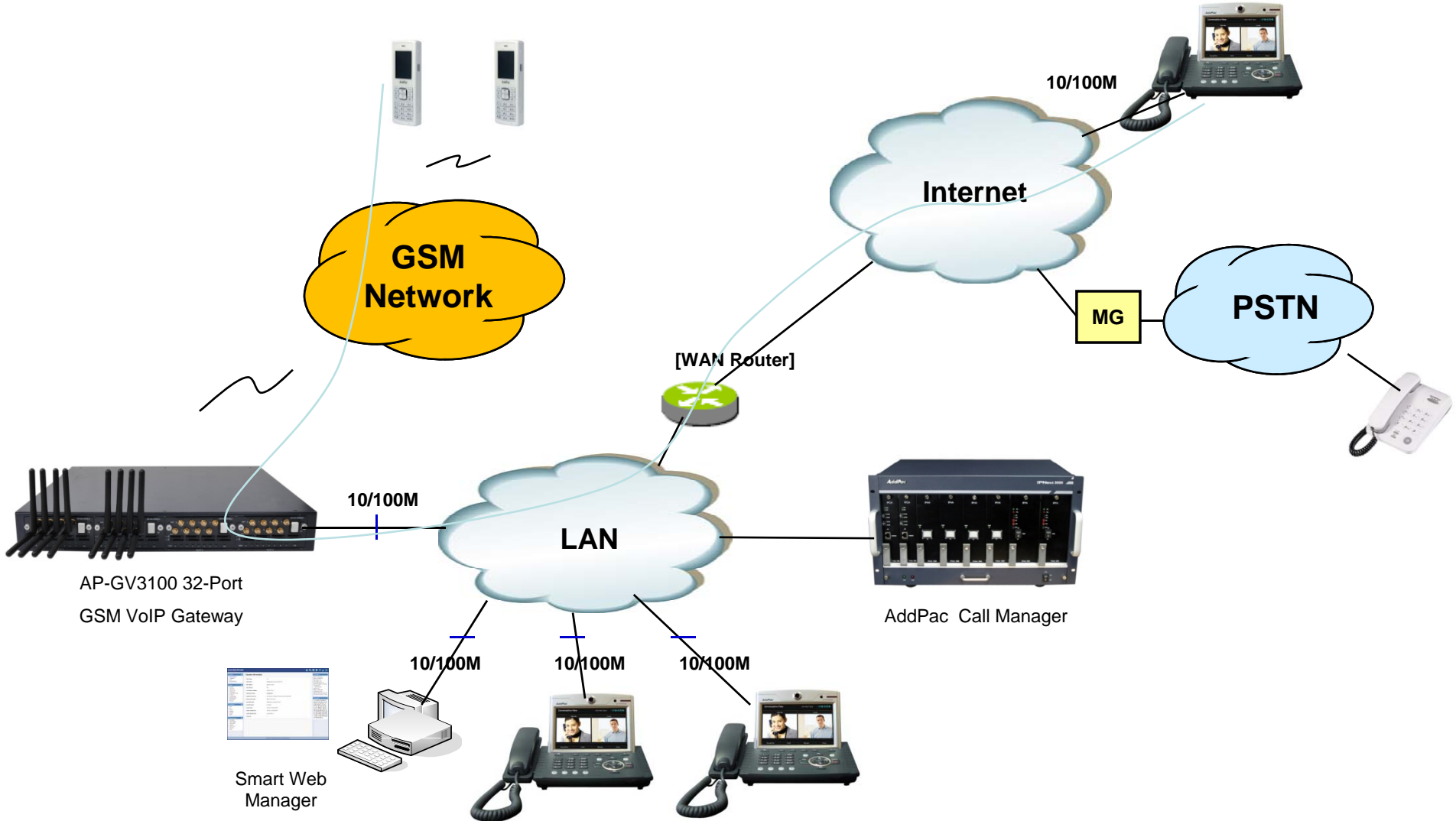
## AP-GV3100 32-Port GSM VoIP Gateway

- IP packet filtering
- IP access list
- User authentication function
  - Password Authentication Protocol (PAP)
  - Challenge Handshake Authentication Protocol (CHAP)
- Enable/Disable specific protocols
- Auto-square connect of Telnet session
- Account Management function for multi-level user
- SNMP/TELNET/FTP/HTTP/TFTP port assignment function
- SNMP/TELNET/FTP access list management
- Boot mode security checking function



# Standard Application (GSM Only)

AP-GV3100 32-Port GSM VoIP Gateway



# Ordering Information

- **AP-GV3100 GSM VoIP Gateway Hardware**
  - AP-GV3100 GSM VoIP Gateway Main Body
  - Four(4) Module Slots for GSM VoIP Interface Modules
  - One(1) Module Slots for System Processor
  - RISC Microprocessor with High-end Programmable DSP Architecture
  - 2-port 10/100Mbps Fast Ethernet(RJ45)
  - 1-Port RS232C Console Interface(RJ45)
  - Option Module : AP-N5-GSM8I, AP-N5-GSM8SI, AP-N5-GSM8UI, etc
  - Including Network Cable, Antenna, etc.
- **Built-in APOS Internetworking Software for AP-GV3100**
- **Including 1 Year Hardware Warranty**
- **Product Documents**
  - Install and Operation Guide (PDF)
- **Pricing**
  - AddPac Technology Regional Sales Manager
  - Authorized Sales and Marketing Representatives
  - Please Contact [www.addpac.com](http://www.addpac.com)

# GSM Gateway Series

# Thank you!

**AddPac Technology Co., Ltd.**  
Sales and Marketing

Phone +82.2.568.3848 (KOREA)

FAX +82.2.568.3847 (KOREA)

E-mail [sales@addpac.com](mailto:sales@addpac.com)