

# GSM Gateway Series



Web based New GSM Call Statistics

***AddPac***

**AddPac Technology**

Sales and Marketing

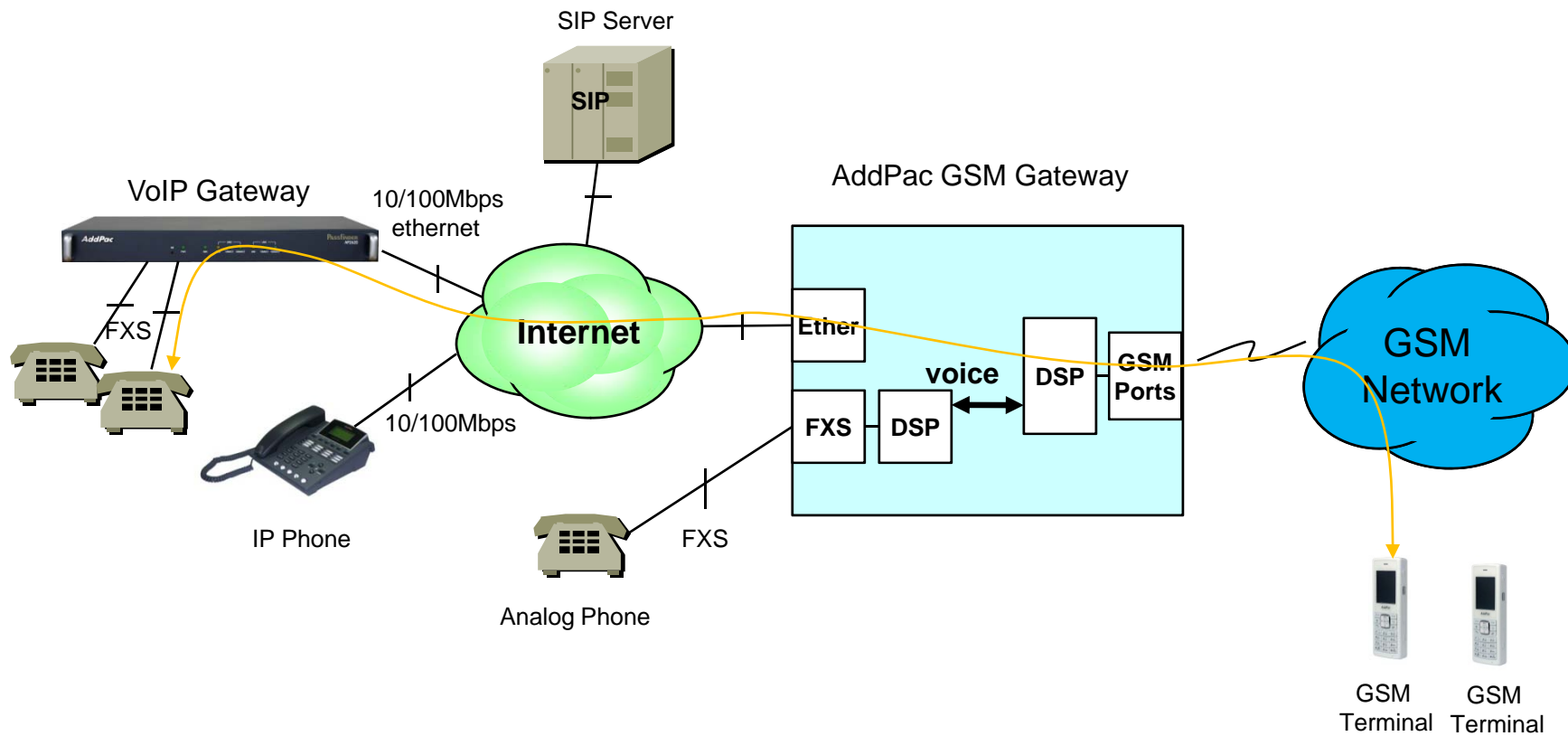
[www.addpac.com](http://www.addpac.com)

# Contents

- GSM VoIP Service Network Diagram
- AP-GS5000 GSM VoIP Service Example
- Port Call Routing Statistics Diagram
- Port Call Fail Statistics Diagram
- Smart Web for GSM Call Statistics



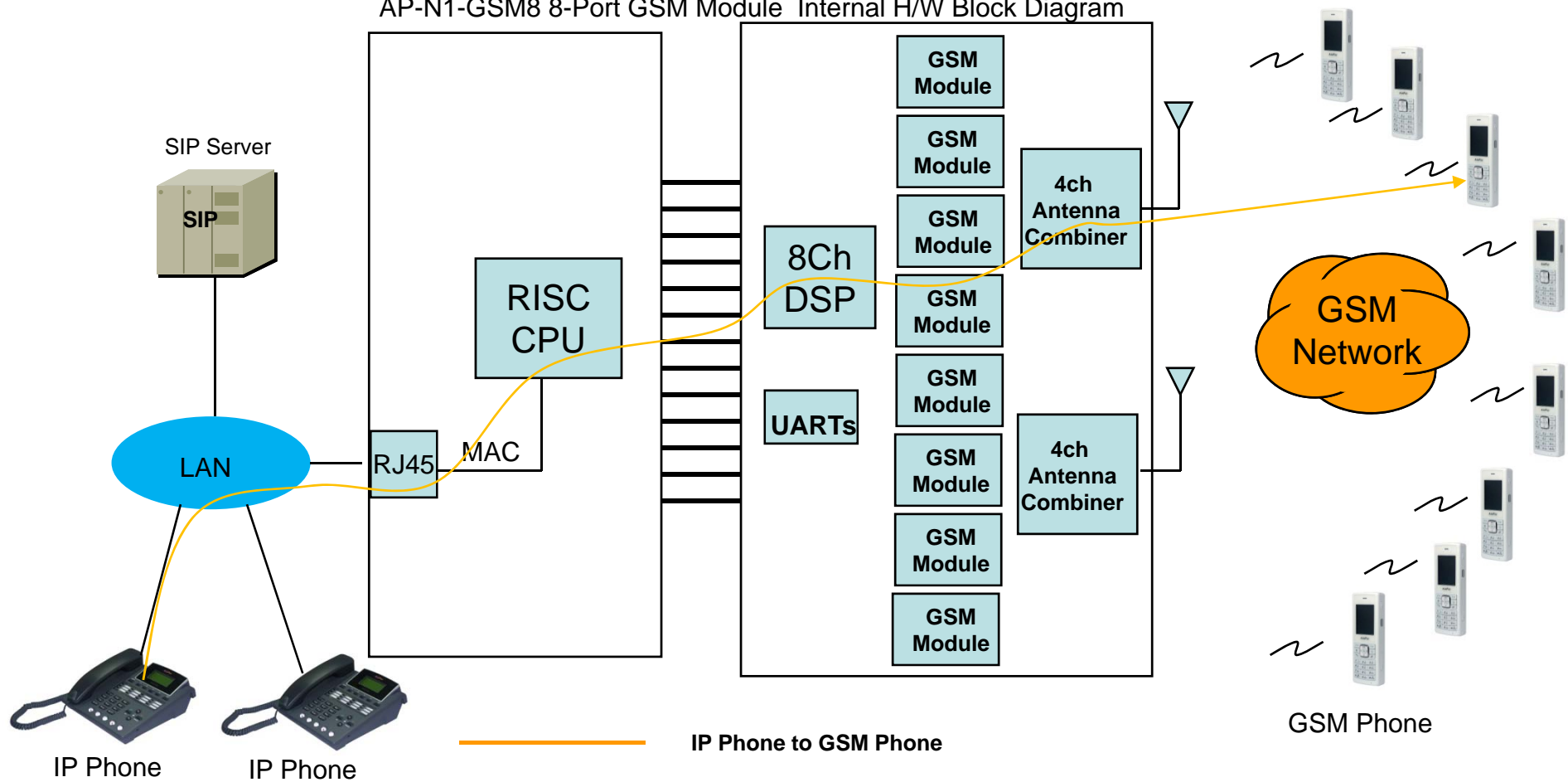
# Network Diagram



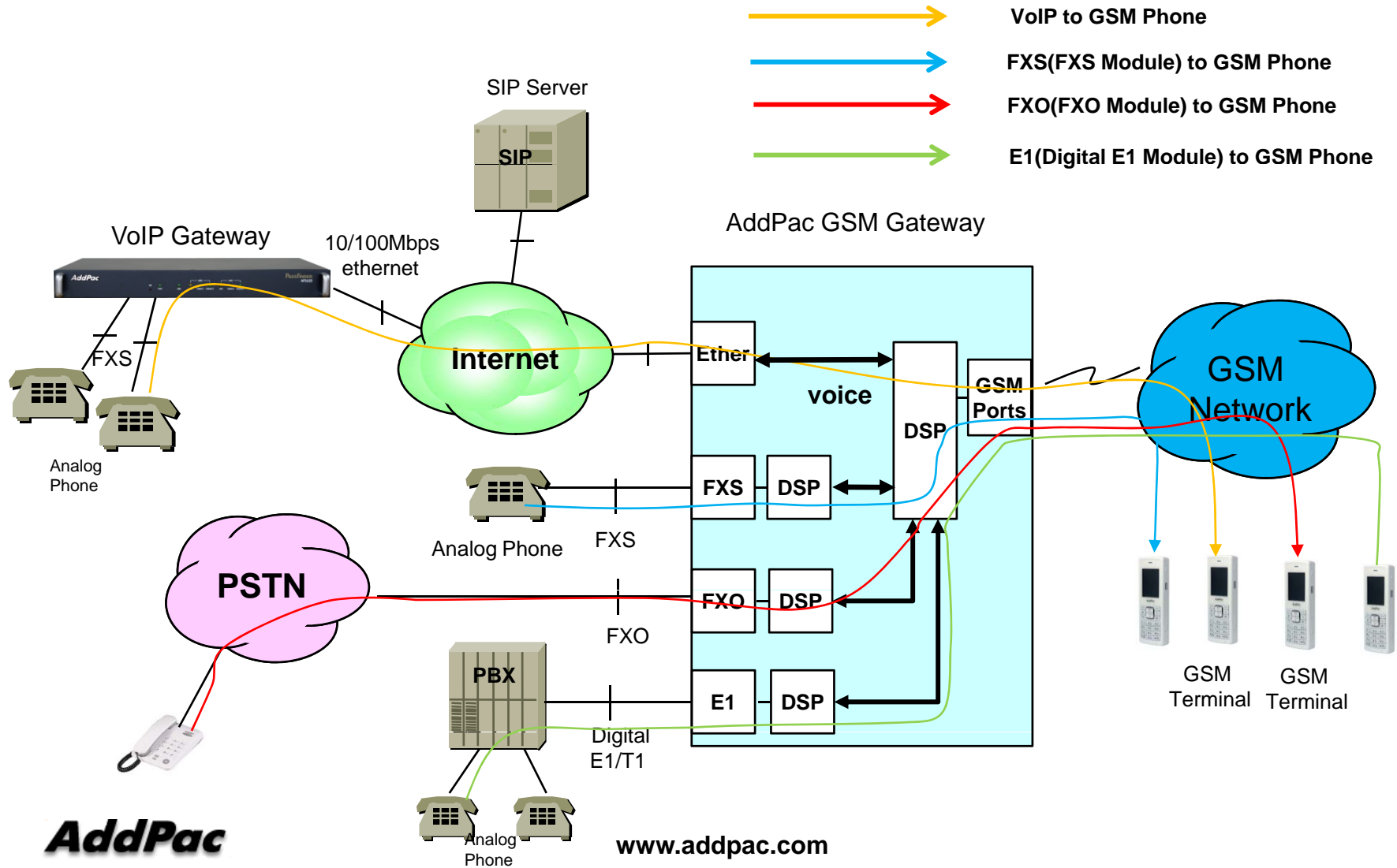
# Network Diagram (AP-GS5000 example)

## AP-GS5000 GSM Gateway Service Diagram

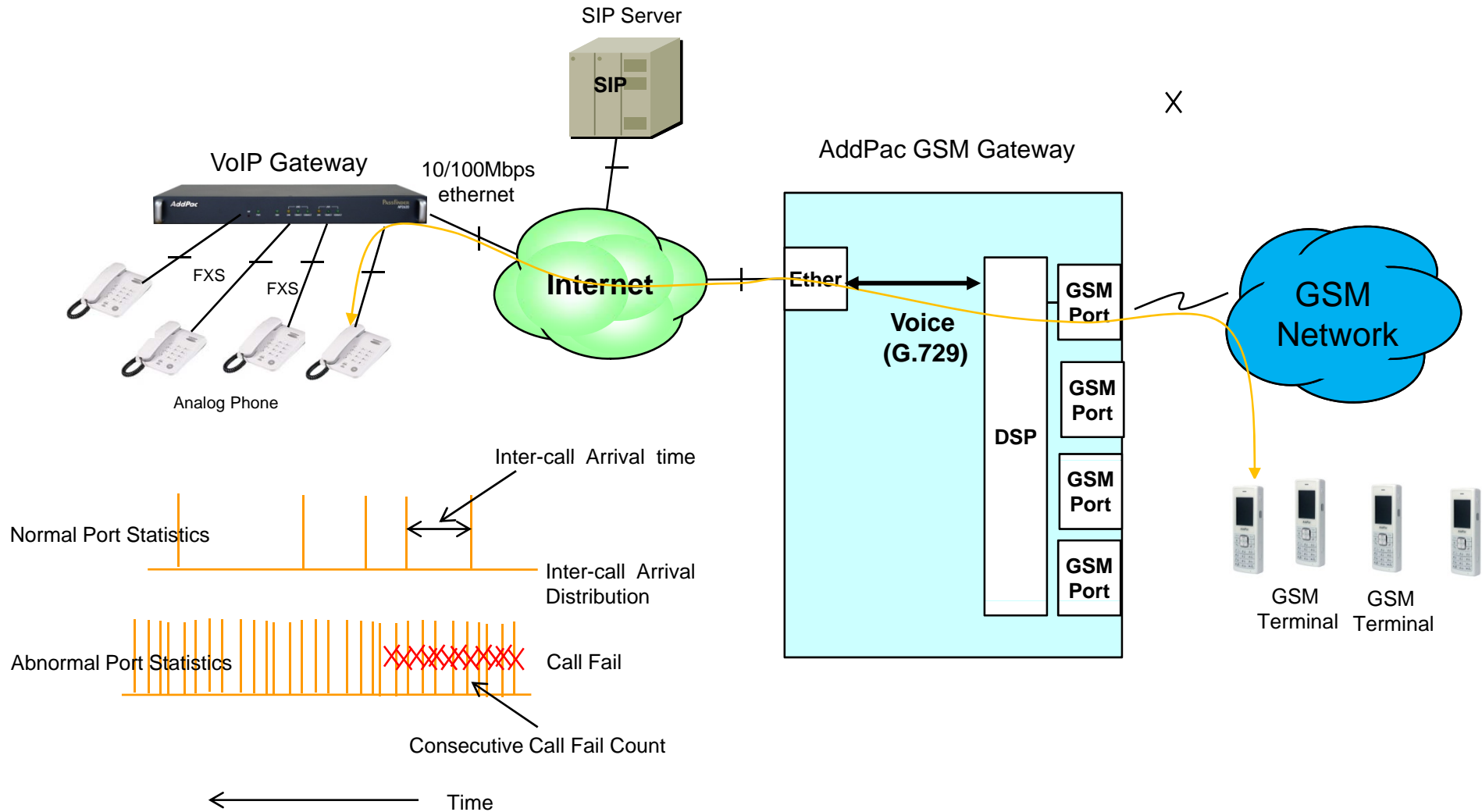
AP-N1-GSM8 8-Port GSM Module Internal H/W Block Diagram



# Network Diagram(Port Call Routing Statistics)



# Network Diagram(Port Call Fail)



# Miscellaneous – GSM Call Statistics

**Total GSM Call Statistics**

- Total GSM Calls
- Total ASR
- Total ACD

Total	Total Call Count				Total ASR	Total ACD	ALL Clear
	VOIP	FXS	FXO	E1			
GSM	1087	0	0	0	38%	480	<input type="button" value="Clear"/>

**Individual GSM Call Statistics**

- GSM Sim Number
- GSM Calls
- GSM ASR
- GSM ACD

**GSM Call Statistics**

Port	GSM Sim Number	Call Count				ASR	ACD	Consecutive Fails	
		VOIP	FXS	FXO	E1				
P0:0		25	0	0	0	32%	214	0	<input type="button" value="Clear"/>
P0:1		13	0	0	0	28%	340	0	<input type="button" value="Clear"/>
P0:2		23	0	0	0	38%	540	0	<input type="button" value="Clear"/>
P0:3		21	0	0	0	40%	528	0	<input type="button" value="Clear"/>
P0:4		23	0	0	0	32%	447	0	<input type="button" value="Clear"/>
P0:5		13	0	0	0	41%	727	0	<input type="button" value="Clear"/>
P0:6		22	0	0	0	33%	622	0	<input type="button" value="Clear"/>
P0:7		23	0	0	0	44%	421	0	<input type="button" value="Clear"/>
P1:0		13	0	0	0	35%	476	0	<input type="button" value="Clear"/>
P1:1		21	0	0	0	38%	499	0	<input type="button" value="Clear"/>

**Consecutive Fails**

Once call fail occurs on the port, "Consecutive Fails Count" will be increased by "1", and after Call Connecting, It will become zeroed (0)

# GSM Gateway Series

# Thank you!

**AddPac Technology Co., Ltd.**  
Sales and Marketing

Phone +82.2.568.3848 (KOREA)

FAX +82.2.568.3847 (KOREA)

E-mail [sales@addpac.com](mailto:sales@addpac.com)