



AP-LMS1500

Multi-Port LMS VoIP Gateway

High Performance LMS(Land to Mobile Station) VoIP Gateway Solution

Design Concept



AddPac

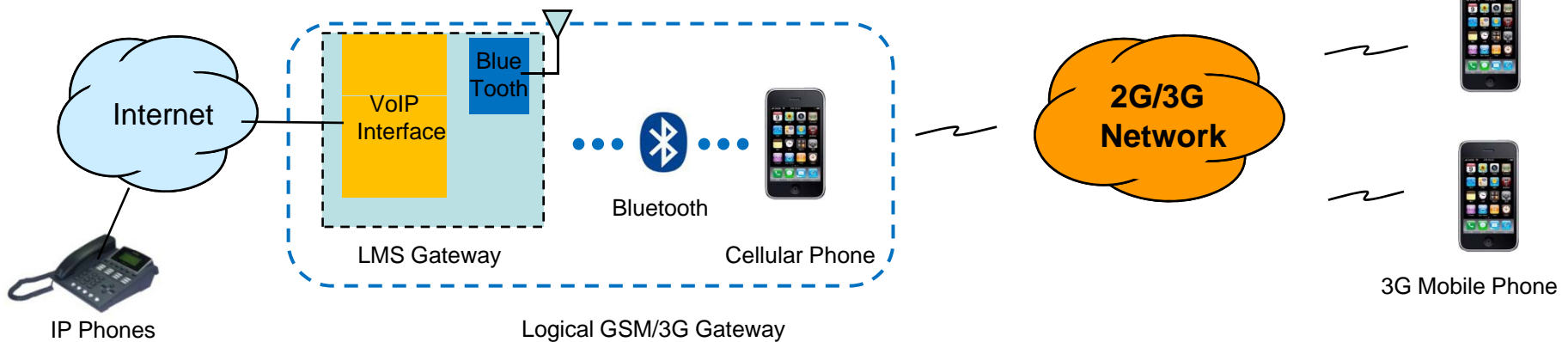
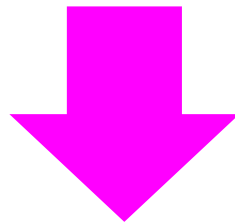
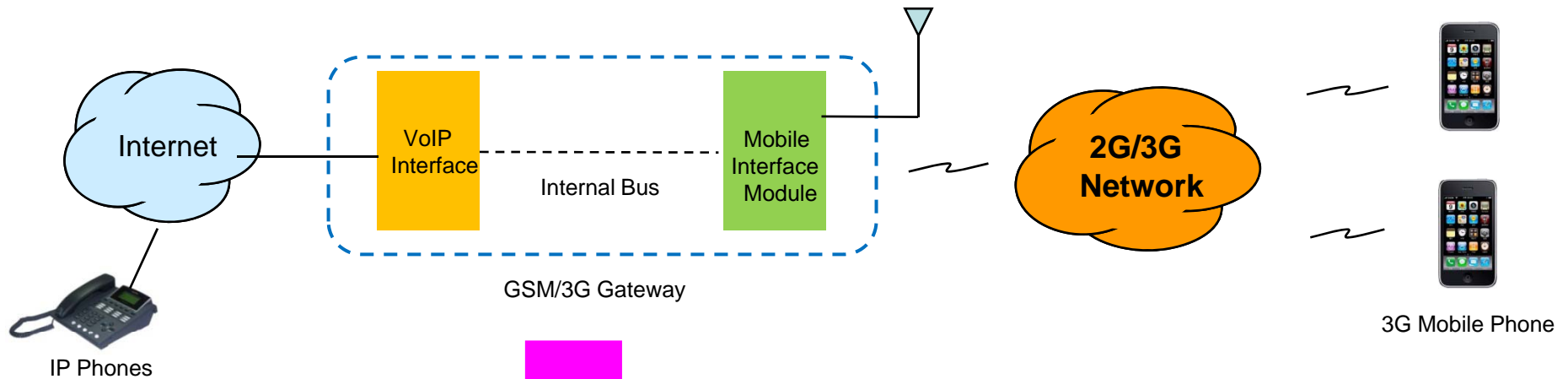
AddPac Technology

2013, Sales and Marketing

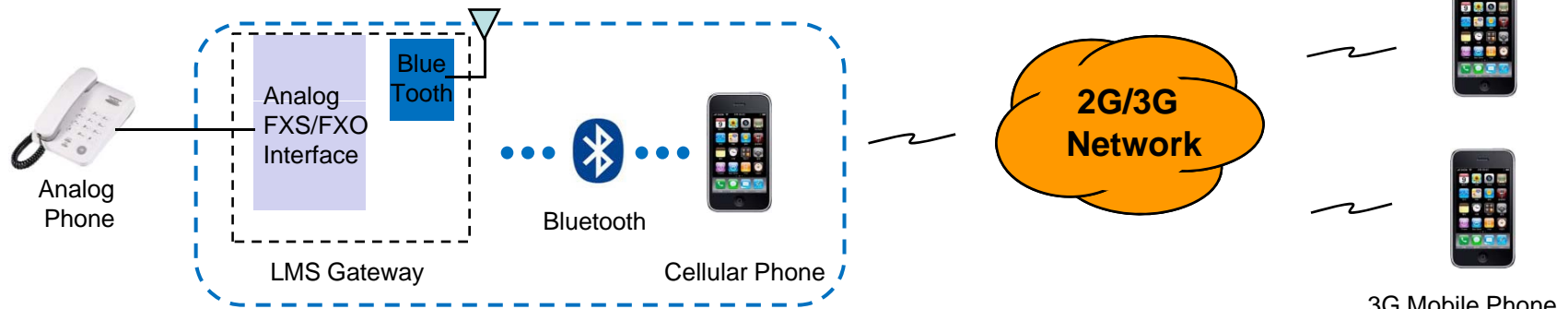
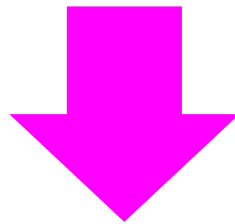
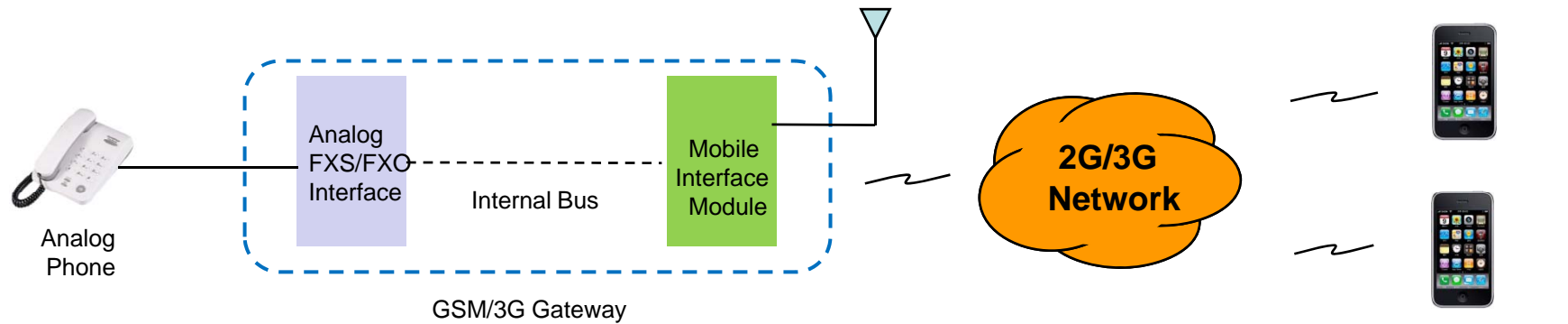
Contents

- LMS Gateway Concept
- Product Overview
- Hardware Specification
- H/W Block Diagram
- Network Service Diagram

LMS Gateway Concept (VoIP->3G)



LMS Gateway Concept (Analog->3G)



Logical GSM/3G Gateway

Product Overview

AP-LMS1500 Multi-Port LMS VoIP Gateway

- Two(2) Module Slots for 4-Port Bluetooth Module, 3G WCDMA, 8FXS/8FXO Analog Interface (Up to 16-Port Bluetooth Channel)
- Analog Interface (FXS)/VoIP Interface(LAN) Both Support
- Mobile Phone Interworking Solution via Bluetooth Technology
- H.323/SIP Dual Concurrent Stack Embedded
- High Performance RISC & Programmable DSP Architecture
- Two(2) 10/100Mbps Fast Ethernet (IP Share, etc)
- High Performance LAN-to-LAN Routing Capability
- G.711/G.726/G.723/G.729, T.38 Fax , VAD, etc
- Powerful Network Protocols (PPPoE, DHCP, Static Routing, etc)
- Firmware Upgradeable Architecture
- Smart Web Manager for LMS VoIP Gateway
- Smart NMS for Large Scale Deployment
- Advanced Voice QoS Mechanism
- Light and Compact Design with Internal Power Supply

Hardware Specification

AP-LMS1500 Multi-Port LMS VoIP Gateway

RISC
CPU

High-end
DSP

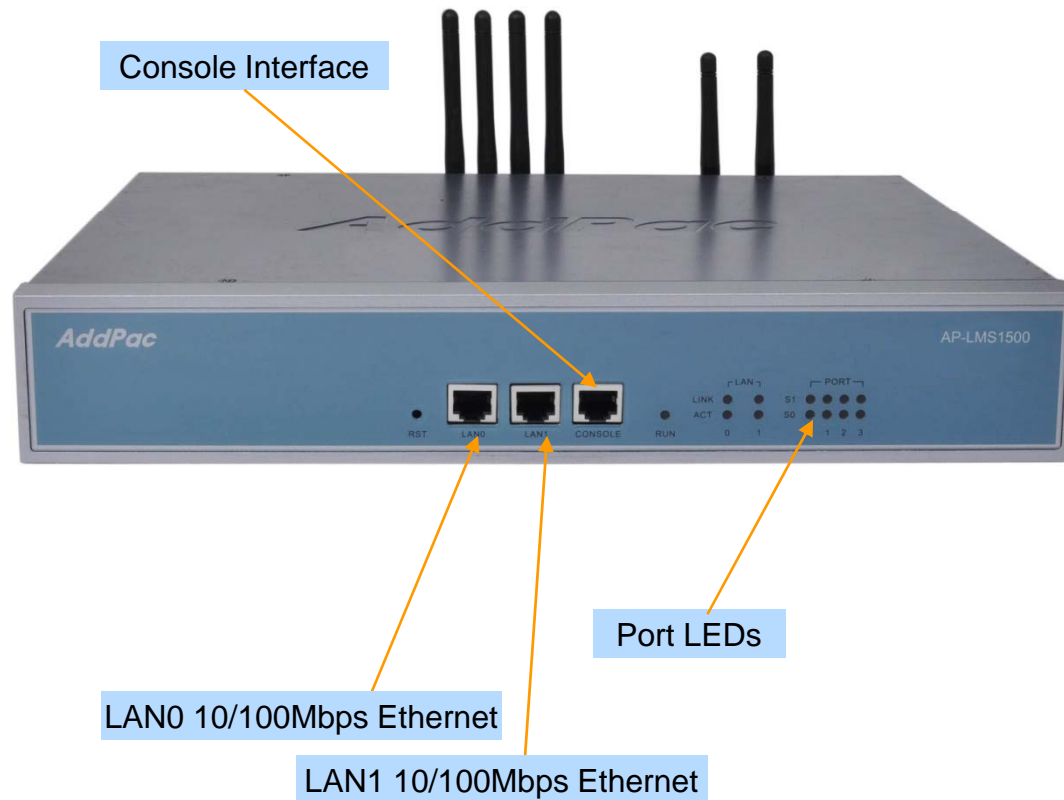
- RISC Microprocessor Computing Power
- Two(2) Module Slot for Bluetooth, 3G, Analog Interface
- 4-Port Bluetooth Module(AP-N1-LMS4)
 - Four(4) Bluetooth Antenna Interface
 - Hot-Swap
- VoIP Interface Module
 - 8-Port FXS Module (AP-N1-FXS8)
 - 8-Port FXO Module (AP-N1-FXO8)
 - Hot-Swap
- Network Interface
 - Two(2) 10/100Mbps Fast Ethernet (RJ45)
- RS232C Console Interface for CLI
- Run LED, LAN LED, Port LEDs
- Internal Power Supply



Hardware Specification

AP-LMS1500 Multi-Port LMS VoIP Gateway

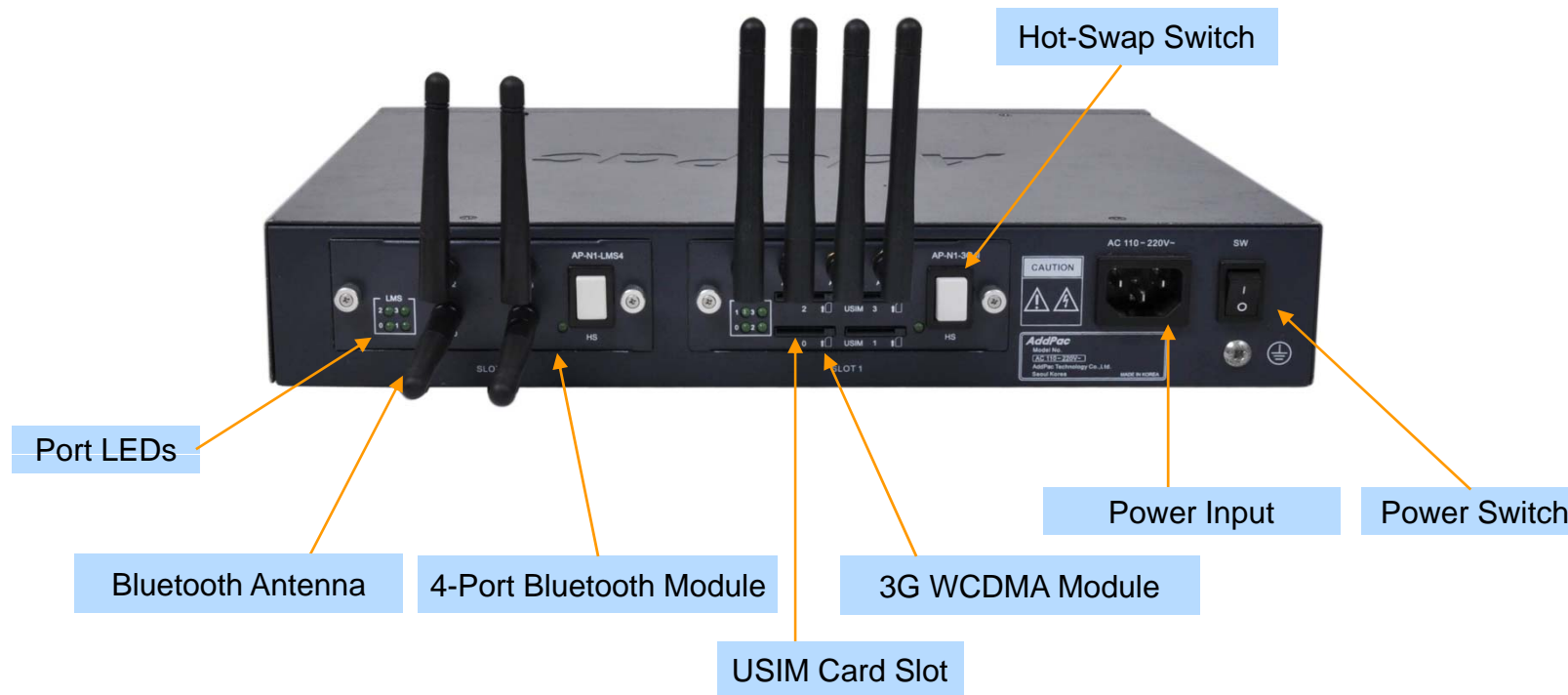
Front Side View



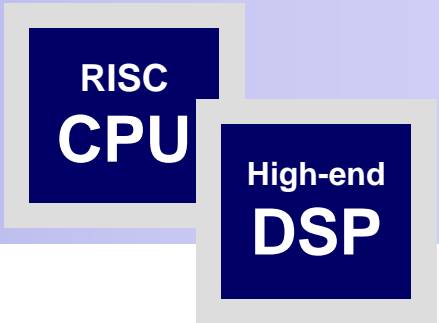
Hardware Specification

AP-LMS1500 Multi-Port LMS VoIP Gateway

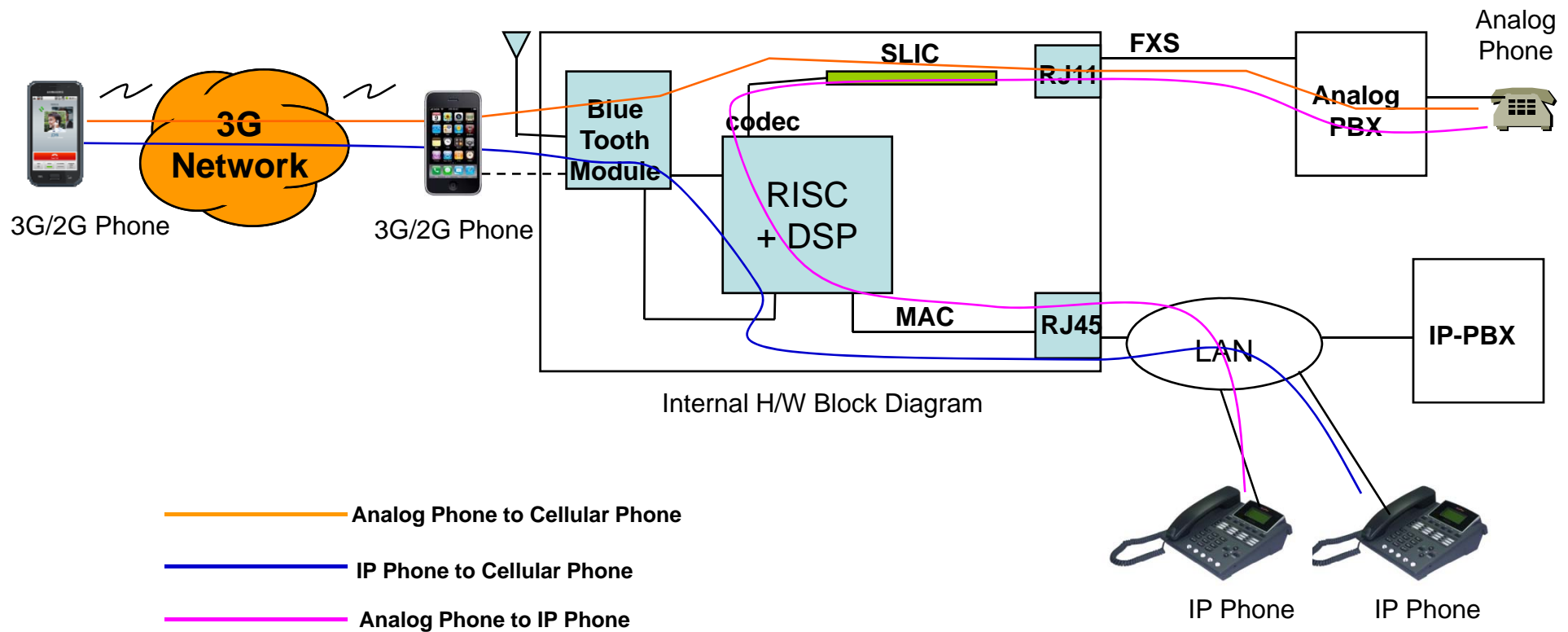
Back Side View (8-Port Bluetooth + 8-Port 3G WCDMA)



H/W Block Diagram



LSM Gateway Service Diagram



Hardware Specification

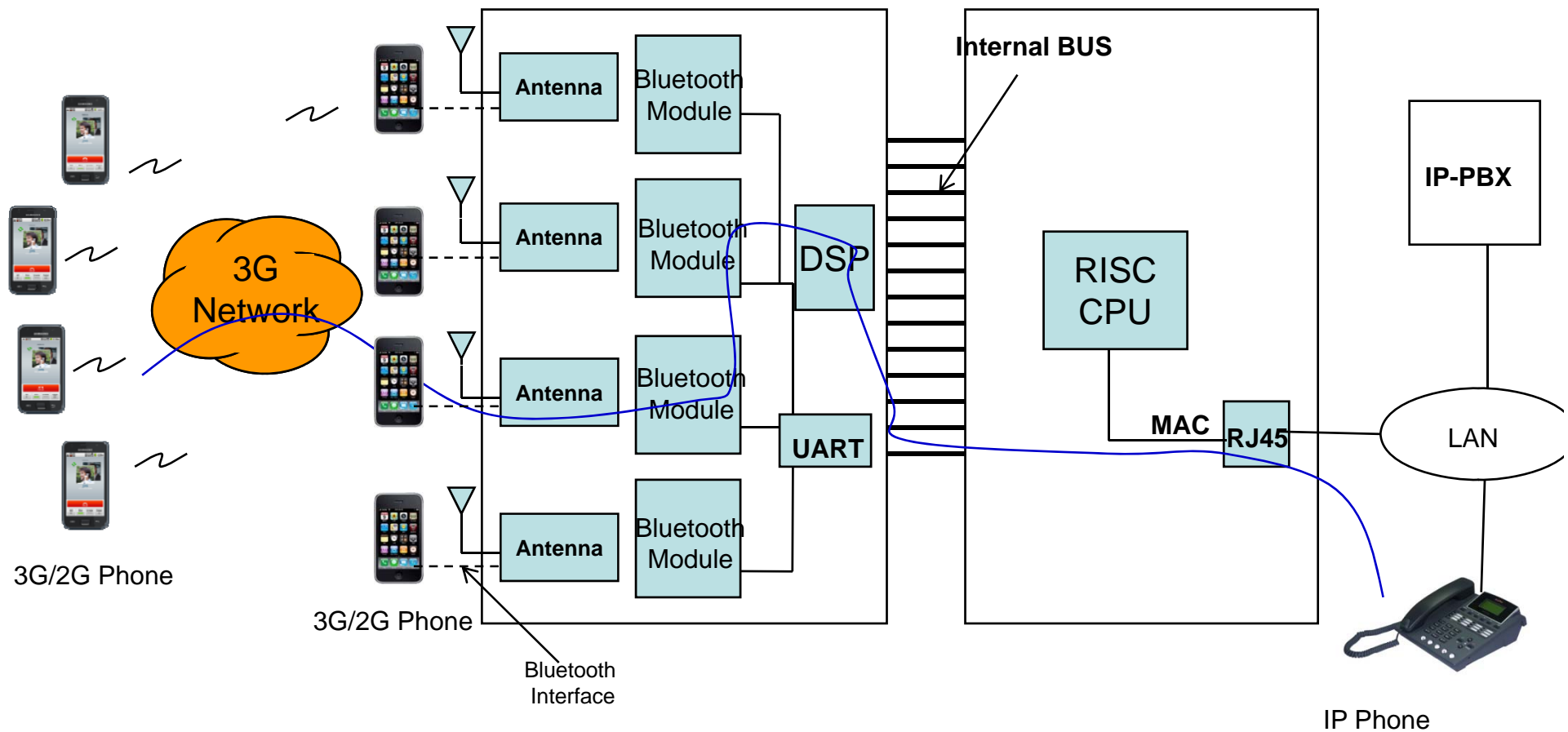
AP-LMS1500 Multi-Port LMS VoIP Gateway

RISC
CPU

High-end
DSP

Bluetooth VoIP Gateway Service Diagram

AP-N1-LMS4 4-Port Bluetooth VoIP Module
Internal H/W Block Diagram



Hardware Specification

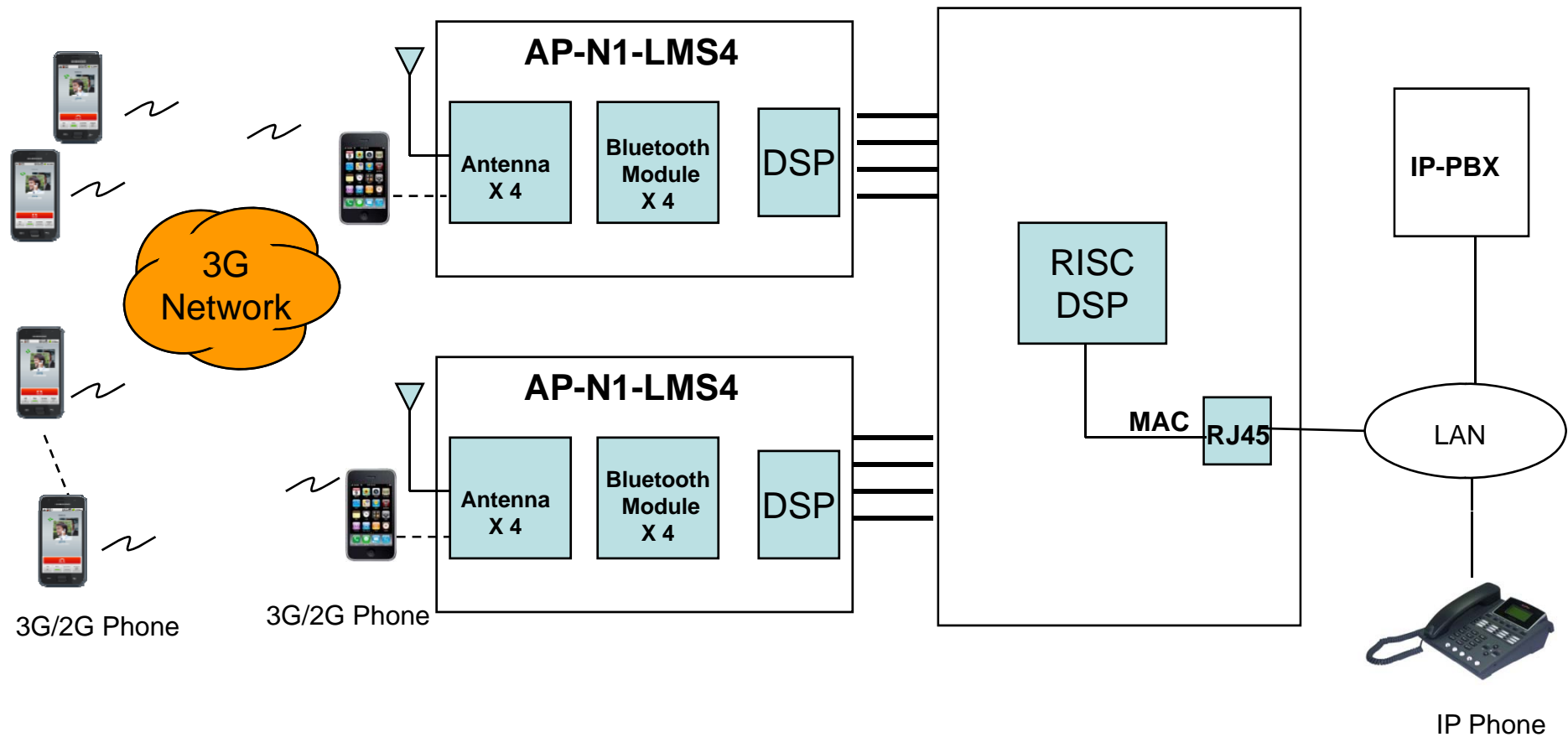
AP-LMS1500 Multi-Port LMS VoIP Gateway

RISC
CPU

High-end
DSP

Bluetooth VoIP Gateway Service Diagram

8-Port Bluetooth VoIP Gateway Service Diagram



Hardware Specification

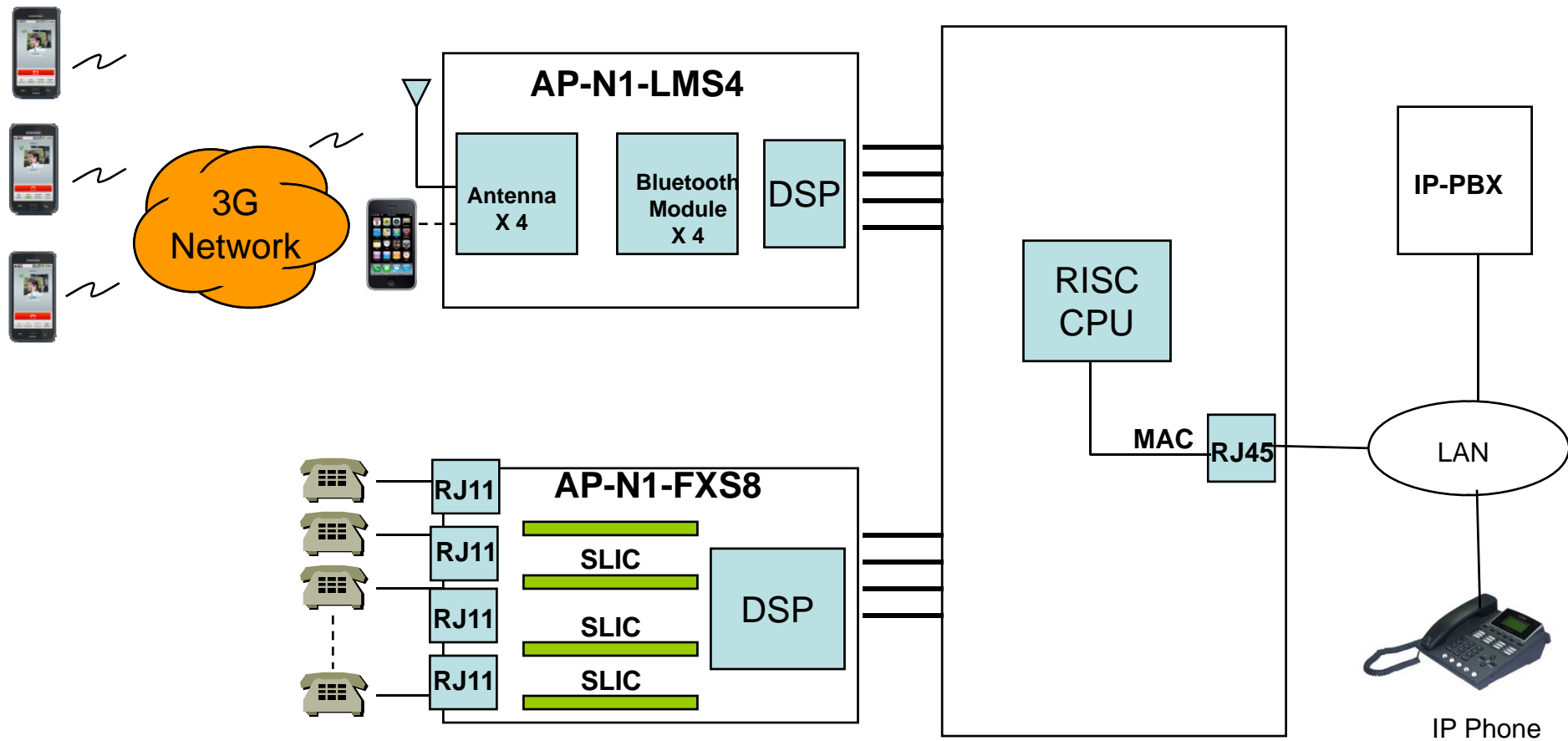
AP-LMS1500 Multi-Port LMS VoIP Gateway

RISC
CPU

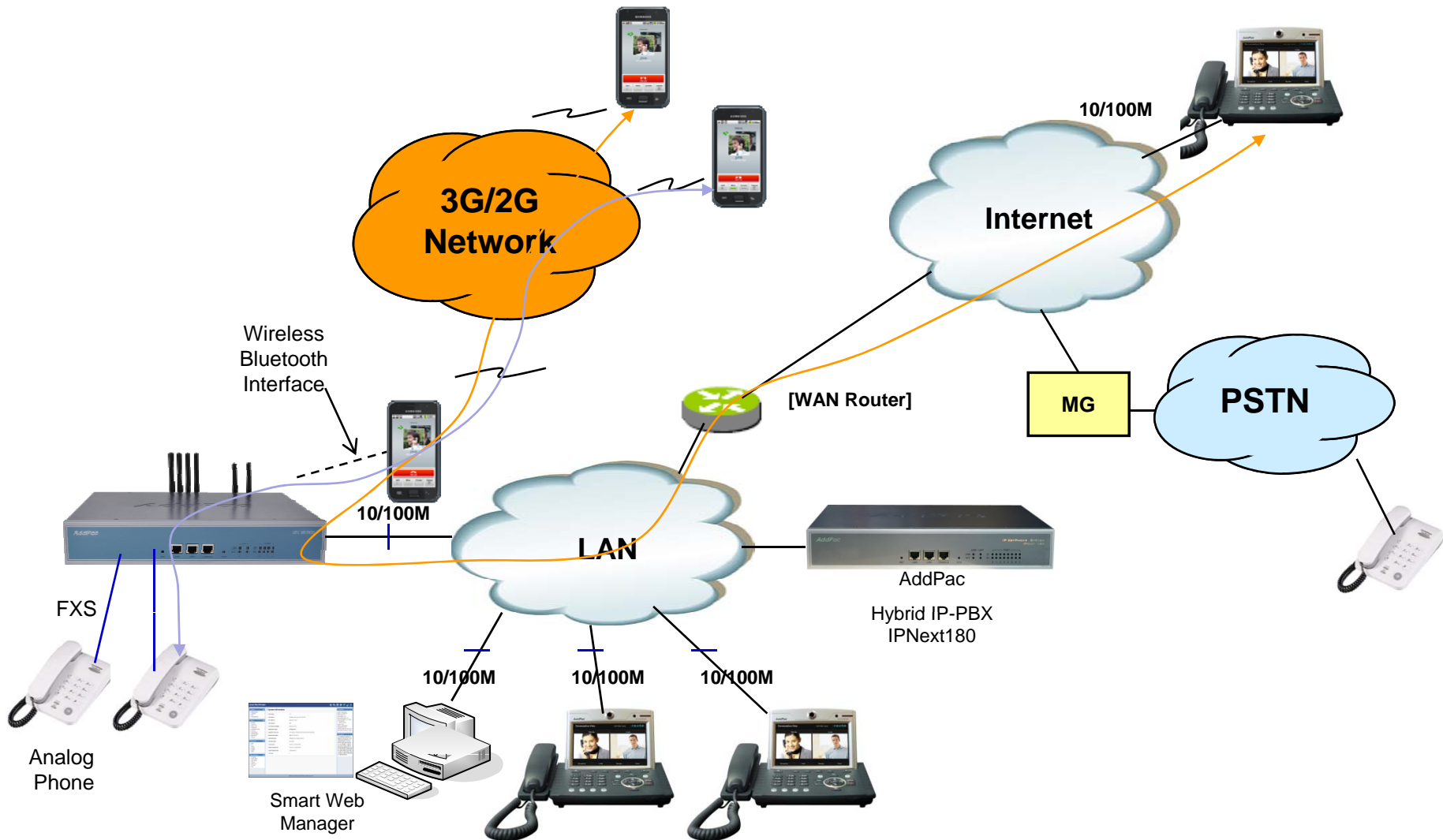
High-end
DSP

Bluetooth VoIP Gateway Service Diagram

4-Port Bluetooth Gateway + 8-Port FXS Gateway Service Diagram



Network Service Diagram



AddPac

www.addpac.com

LMS Gateway Series

Thank you!

AddPac Technology Co., Ltd.
Sales and Marketing

Phone +82.2.568.3848 (KOREA)

FAX +82.2.568.3847 (KOREA)

E-mail sales@addpac.com