

AP-TAS100

Time and Attendance IP Video Door Phone

High Performance Time and Attendance IP Video Door Phone Solution



Group Dial Service

AddPac

AddPac Technology

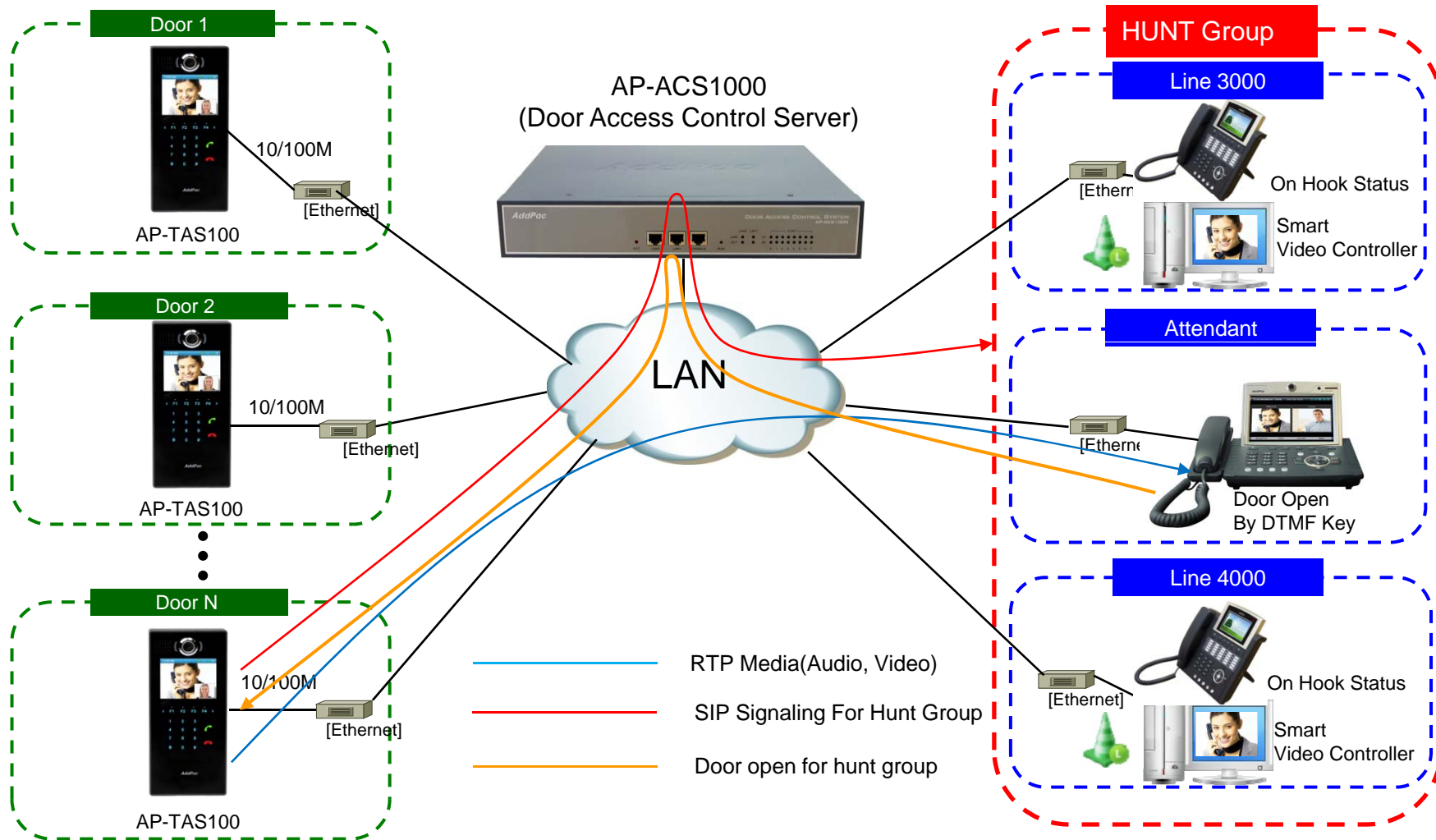
2014, Sales and Marketing

www.addpac.com

Contents

- Door Open for Hunt Group Diagram
- Group Dial Configuration
- Door Open Flow
 - General Call
 - Hunt Group Call

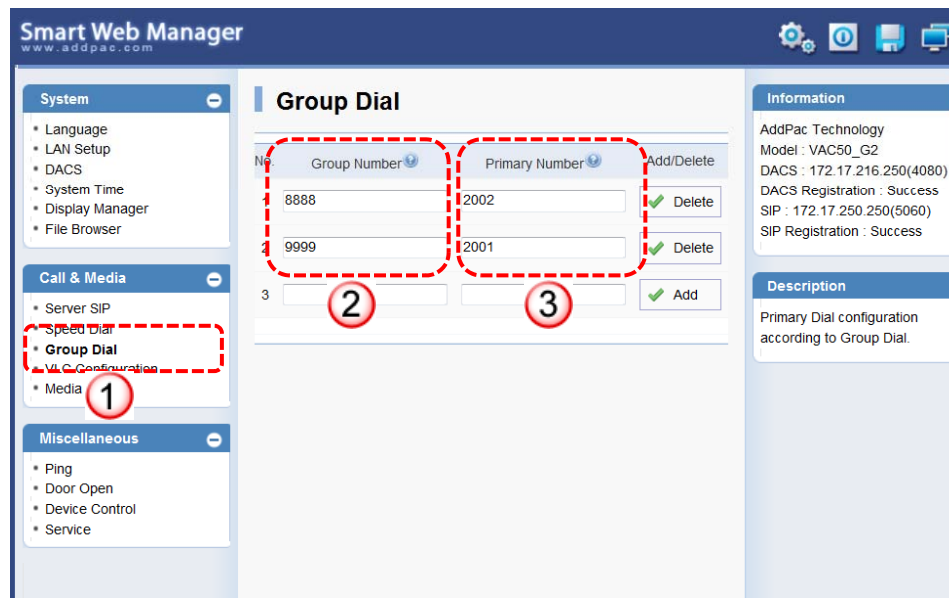
Door Open For Hunt Group Diagram



Group Dial Configuration

Group Dial(Hunt Group) Configuration

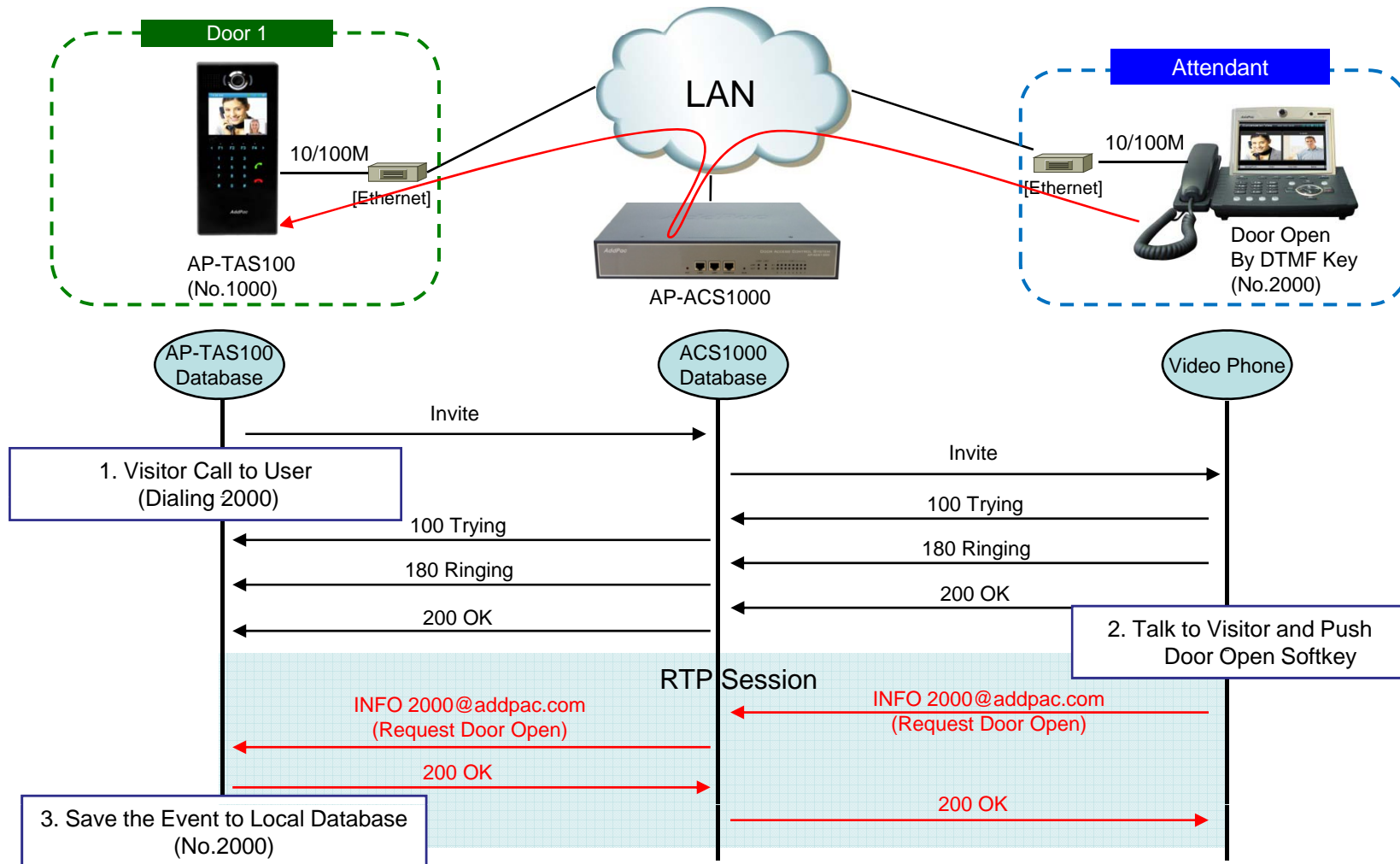
Group Dial feature is configured by Smart Web Manager



- ① Group Dial Configuration Menu
- ② Configuration Hunt Group
- ③ Configuration Primary Number

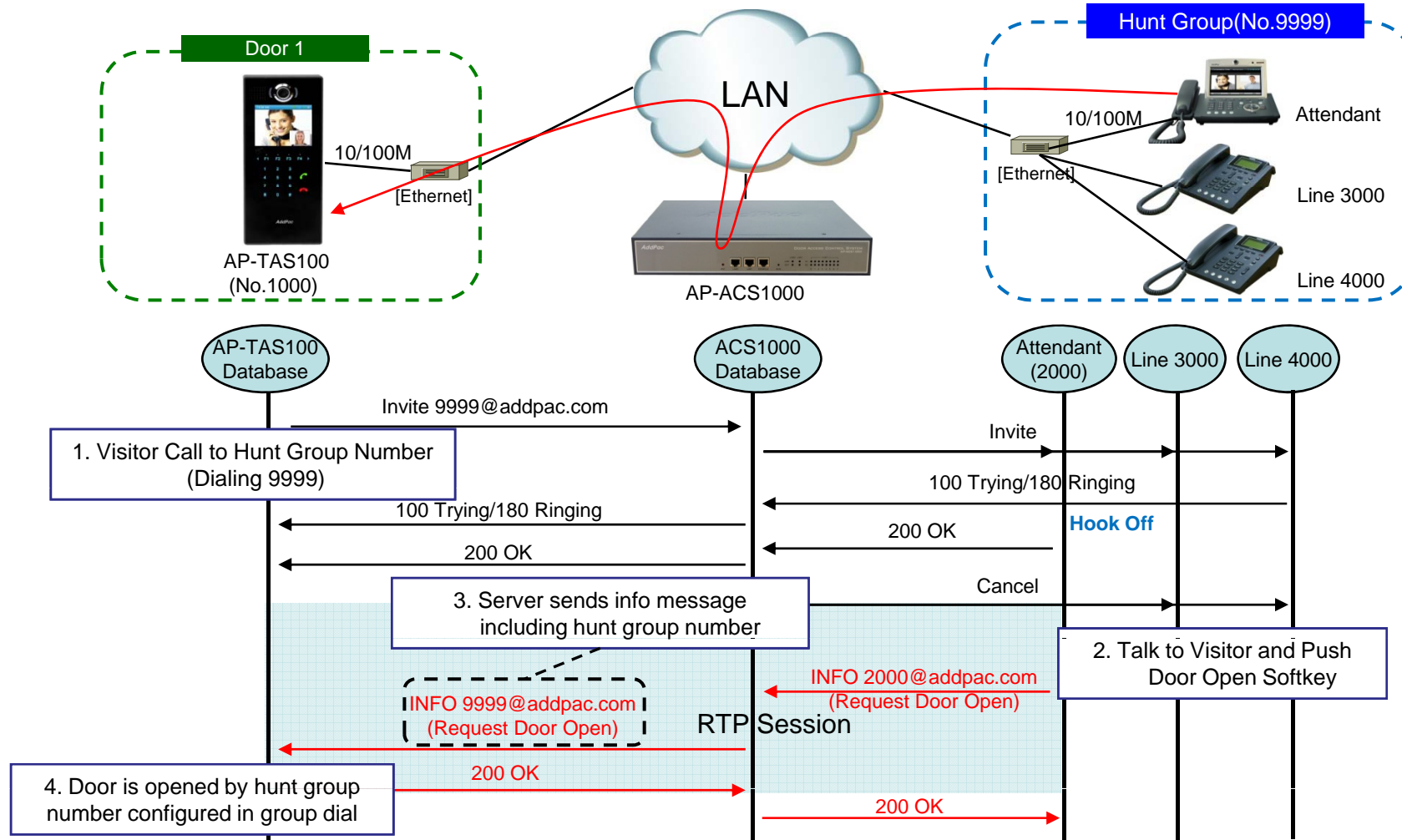
[Figure 1]
AP-VAC100 Smart Web Manager

Door Open Flow : General Call



Door Open Flow

: Hunt Group Call





Thank you!

AddPac Technology Co., Ltd.
Sales and Marketing

Phone +82.2.568.3848 (KOREA)

FAX +82.2.568.3847 (KOREA)

E-mail sales@addpac.com