

# AP-VAC50N

## IP Video Intercom

High Performance IP Video Intercom Solution

Emergency Overall Door Open/Close  
Control Service



***AddPac***

**AddPac Technology**

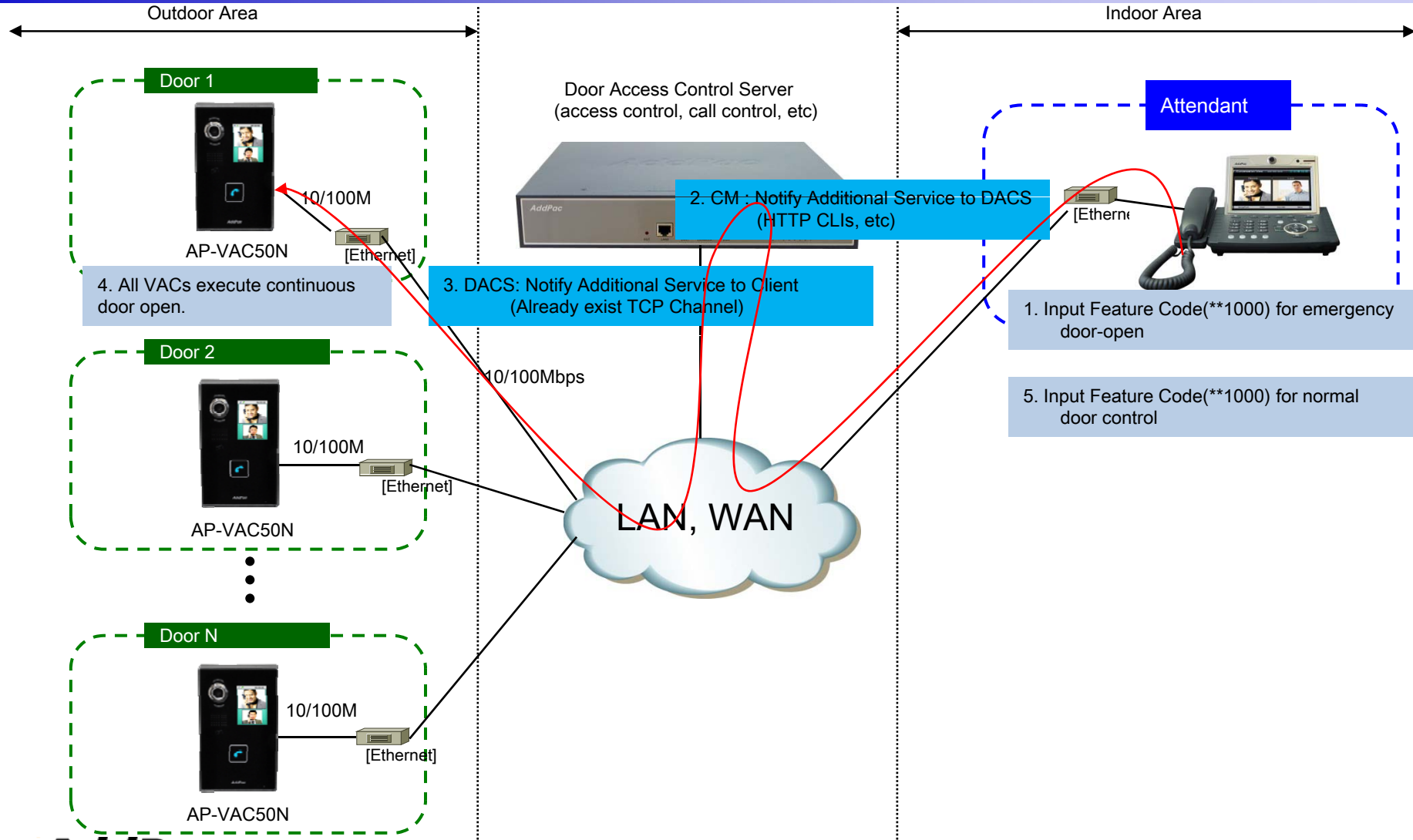
Sales and Marketing

# Contents

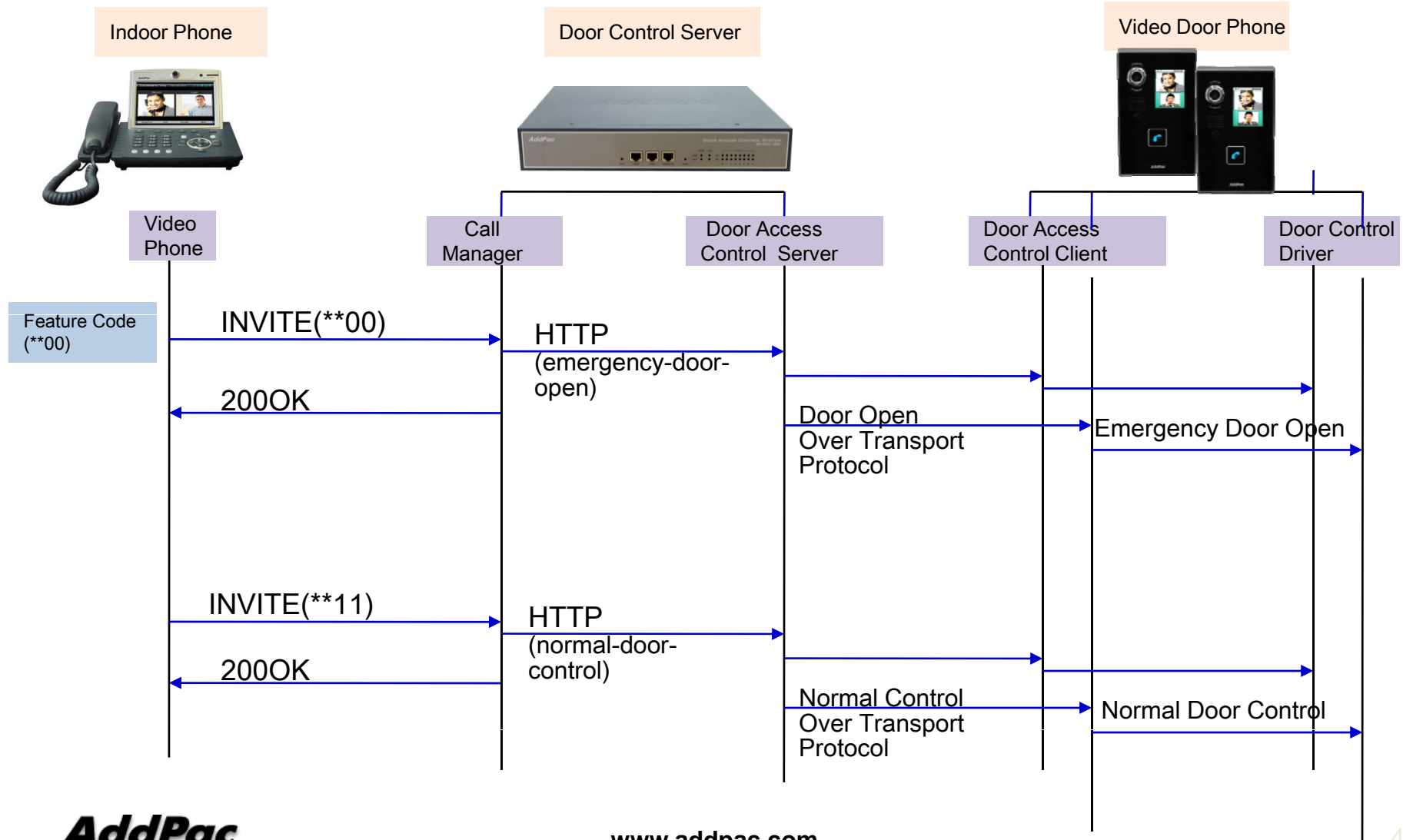
- Emergency Door Control Service Diagram
- Signal Flow



# Emergency Door Control Service Diagram



# Signal Flow for Emergency Door Control





# Thank you!

**AddPac Technology Co., Ltd.**  
Sales and Marketing

Phone +82.2.568.3848 (KOREA)

FAX +82.2.568.3847 (KOREA)

E-mail [sales@addpac.com](mailto:sales@addpac.com)