

# AP-VAC20N

## IP Video Intercom

High Performance IP Video Door Phone Solution



SIP STUN Protocol

**AddPac**

**AddPac Technology**

Sales and Marketing

[www.addpac.com](http://www.addpac.com)

# Contents

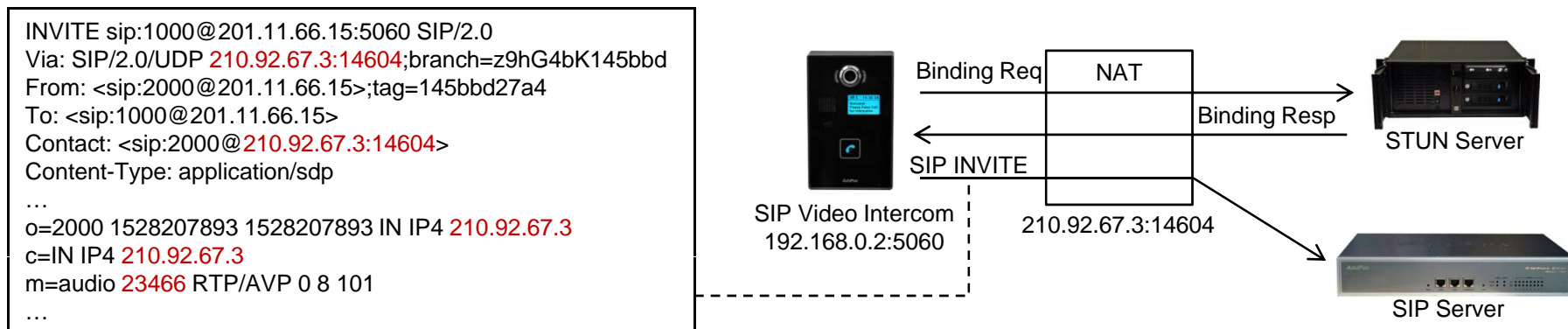
- STUN Protocol Overview
- SIP NAT Traversal using STUN

# STUN Protocol

- Session Traversal Utilities for NAT
- RFC 3489 , RFC 5389
- STUN Message
  - ✓ Client → Server : Binding Request
  - ✓ Server → Client : Binding Response
- To detect NAT types the server use
  - ✓ 2 IP addresses : Primary and Secondary Address
  - ✓ 2 Ports : 3478, 3479
- The NAT Router type is EIM-NAT(Endpoint-Independent Mapping NAT) to support VoIP Application.
- The Client STUN Binding Request Message to get mapped public IP address and Port

# SIP NAT Traversal using STUN

- Use STUN for SIP
  - Send Binding Request from SIP port(5060) to STUN server
  - Receive public address & port mapped to SIP port from STUN server
  - Replace SIP Via & Contact address with public IP and port
- Use STUN for RTP
  - Send Binding Request from RTP port to STUN server
  - Receive public address & port mapped to RTP port from STUN server
  - Replace connection address & media port in SDP with public IP and port





# Thank you!

**AddPac Technology Co., Ltd.**  
Sales and Marketing

Phone +82.2.568.3848 (KOREA)

FAX +82.2.568.3847 (KOREA)

E-mail [sales@addpac.com](mailto:sales@addpac.com)