

AP-VAC20N

IP Video Intercom

High Performance IP Video Intercom Solution

RTSP based Network Video
Monitoring for Audio Only Terminals



AddPac

AddPac Technology

Sales and Marketing

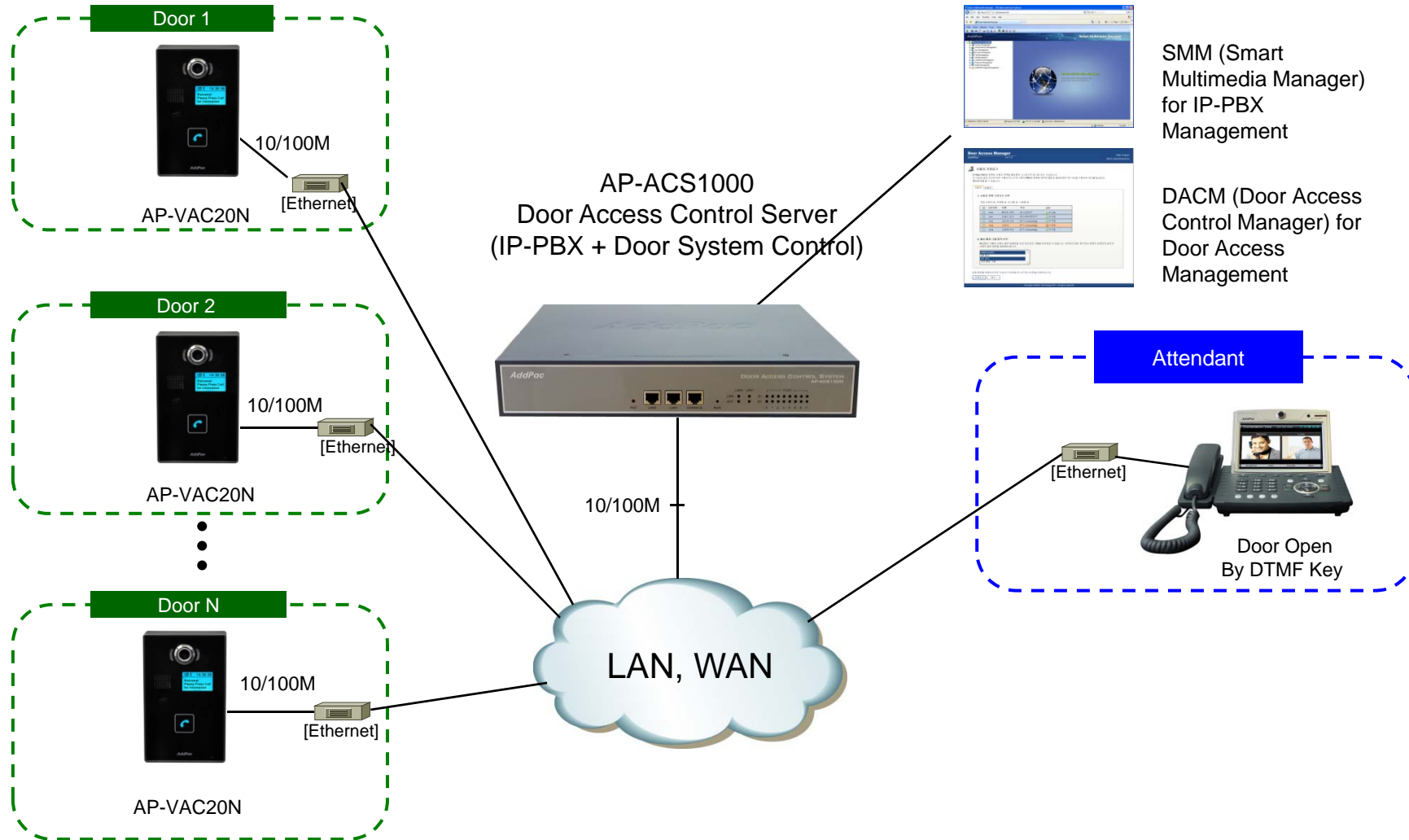
www.addpac.com

Contents

- AP-VAC20N Video Service Diagram
 - All IP Solution
 - Legacy PBX
- SIP based Audio/Video Service Diagram
 - Door Attendant Service using IP Video Phone
- RTSP based Video Service Diagram
 - RTSP Video Camera Service with Audio Terminal
 - Door Attendant Service using Analog Phone
 - Door Attendant Service using IP Phone
- RTSP based Network Block Diagram
 - AP-VAC50 Internal S/W Block Diagram
 - RTSP,RTP Video Service Block Diagram
 - RTSP Video Service Block Diagram

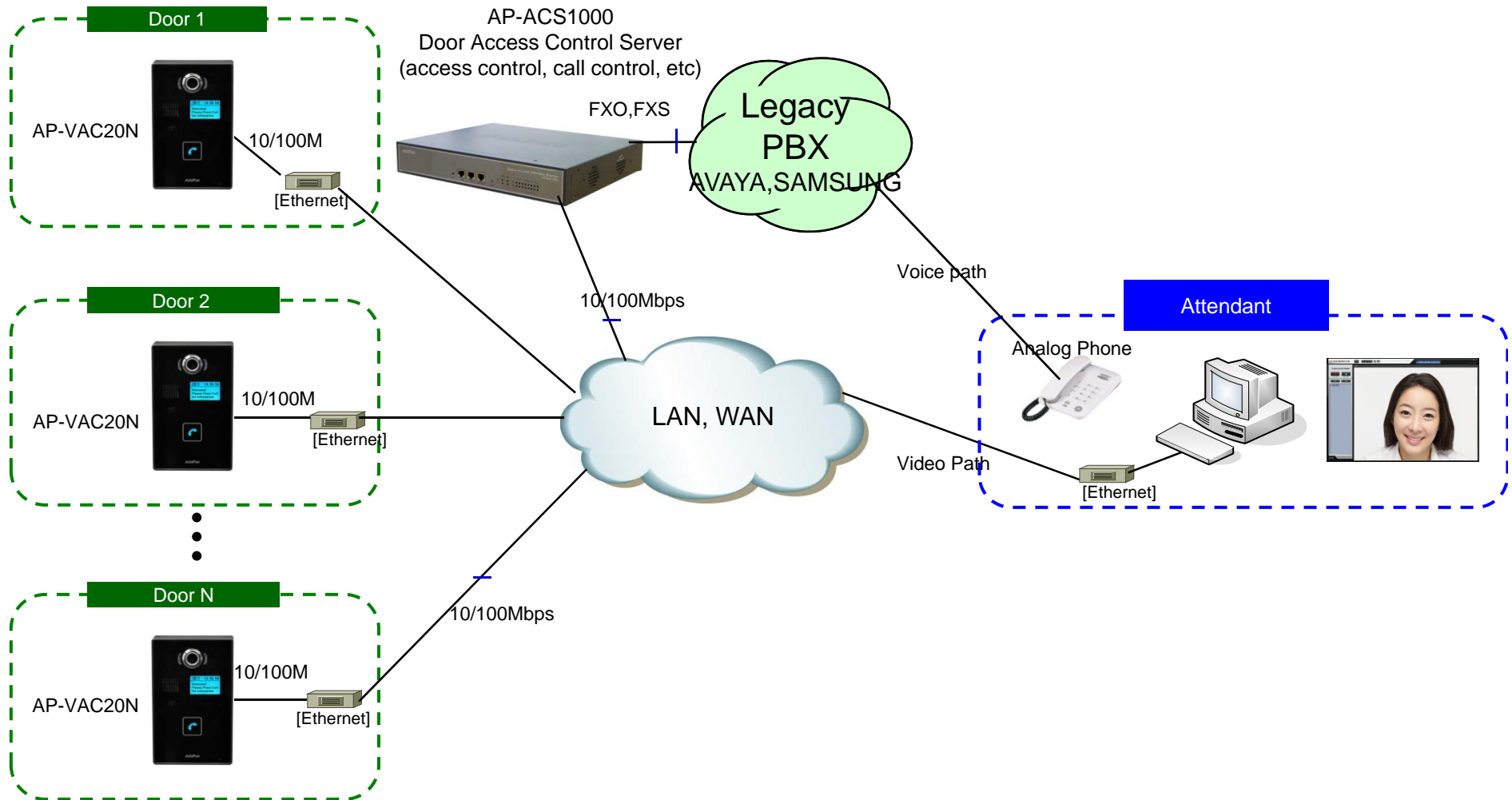
AP-VAC20 Video Service Diagram

: All IP Solution



AP-VAC20 Video Service Diagram

: Legacy PBX Environment

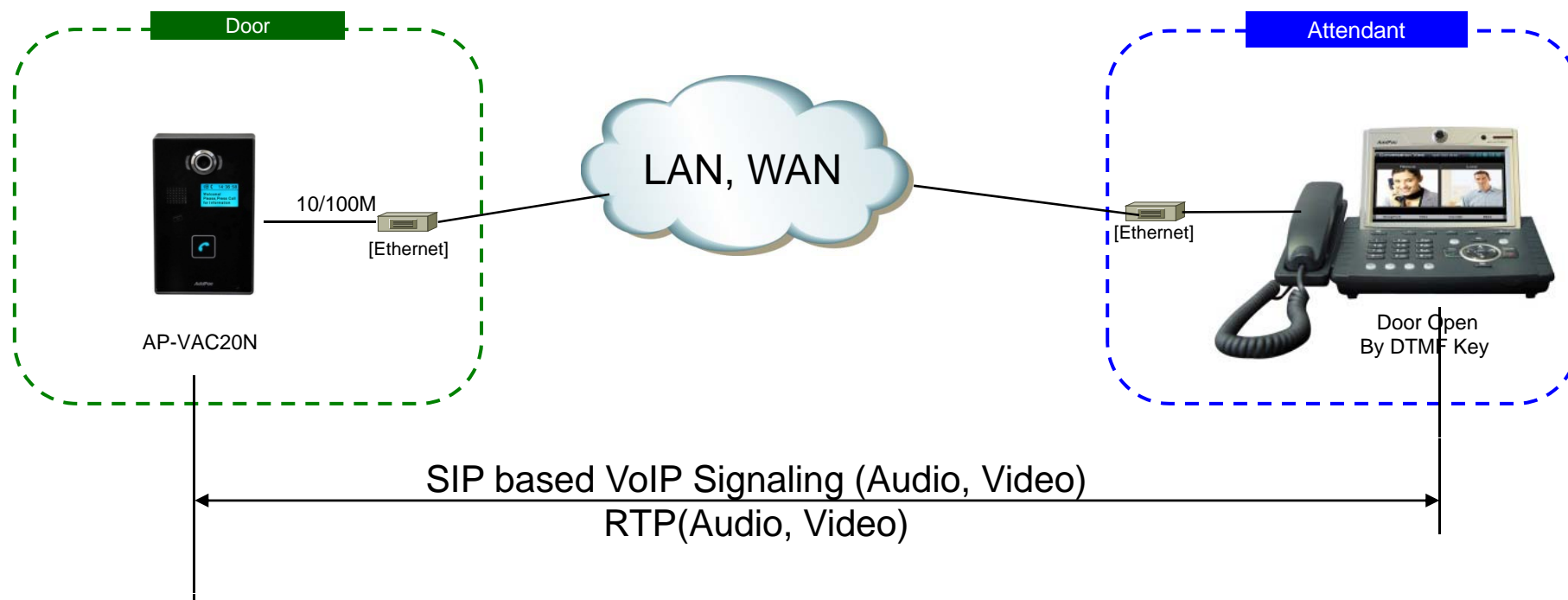




SIP based Audio/Video Service Diagram

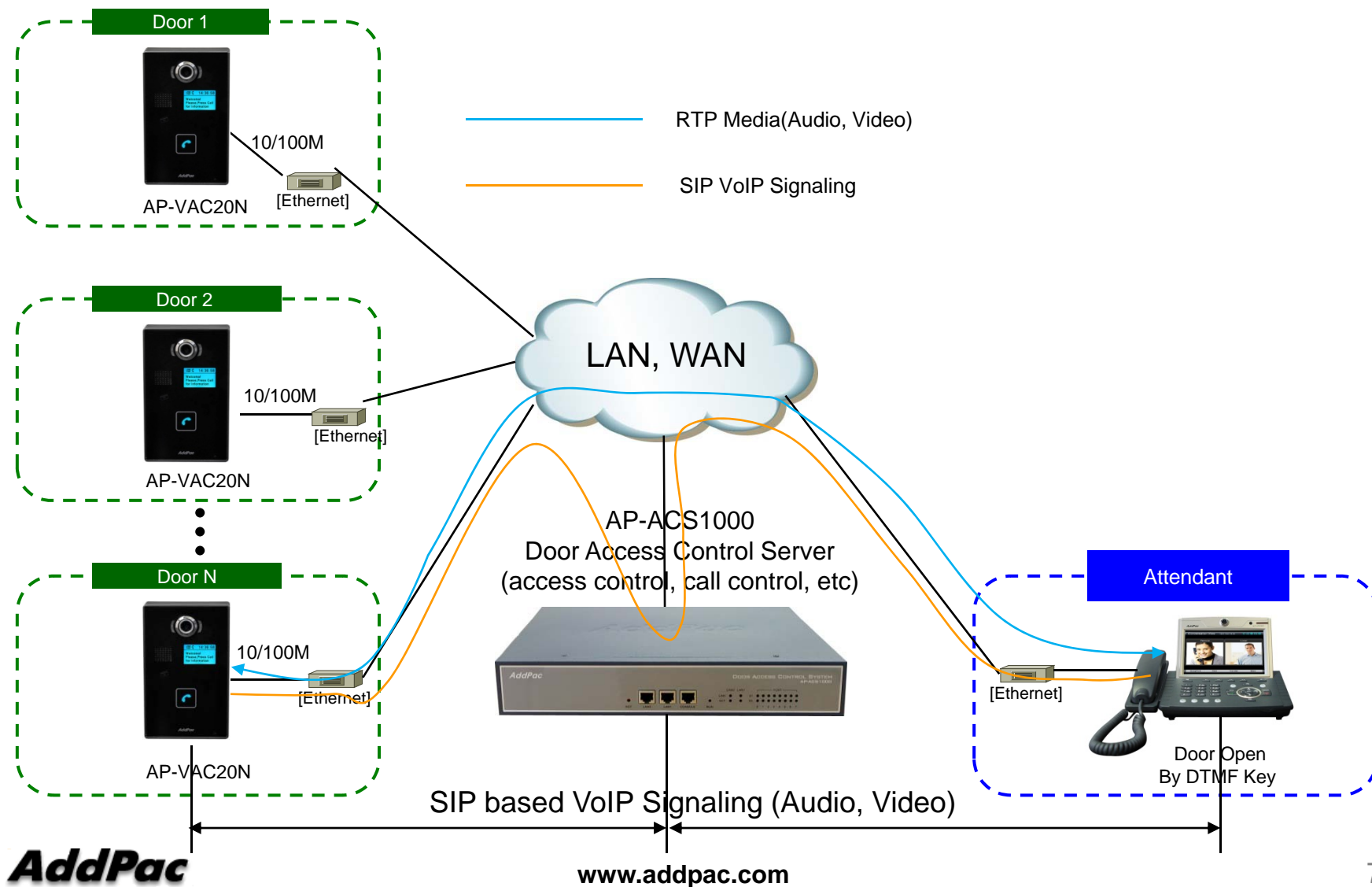
SIP based Video/Audio Service Diagram

: Door Attendant Service using IP Video Phone



SIP based Video/Audio Service Diagram

: Door Attendant Service using IP Video Intercom with IP-PBX





RTSP based Video Service Diagram

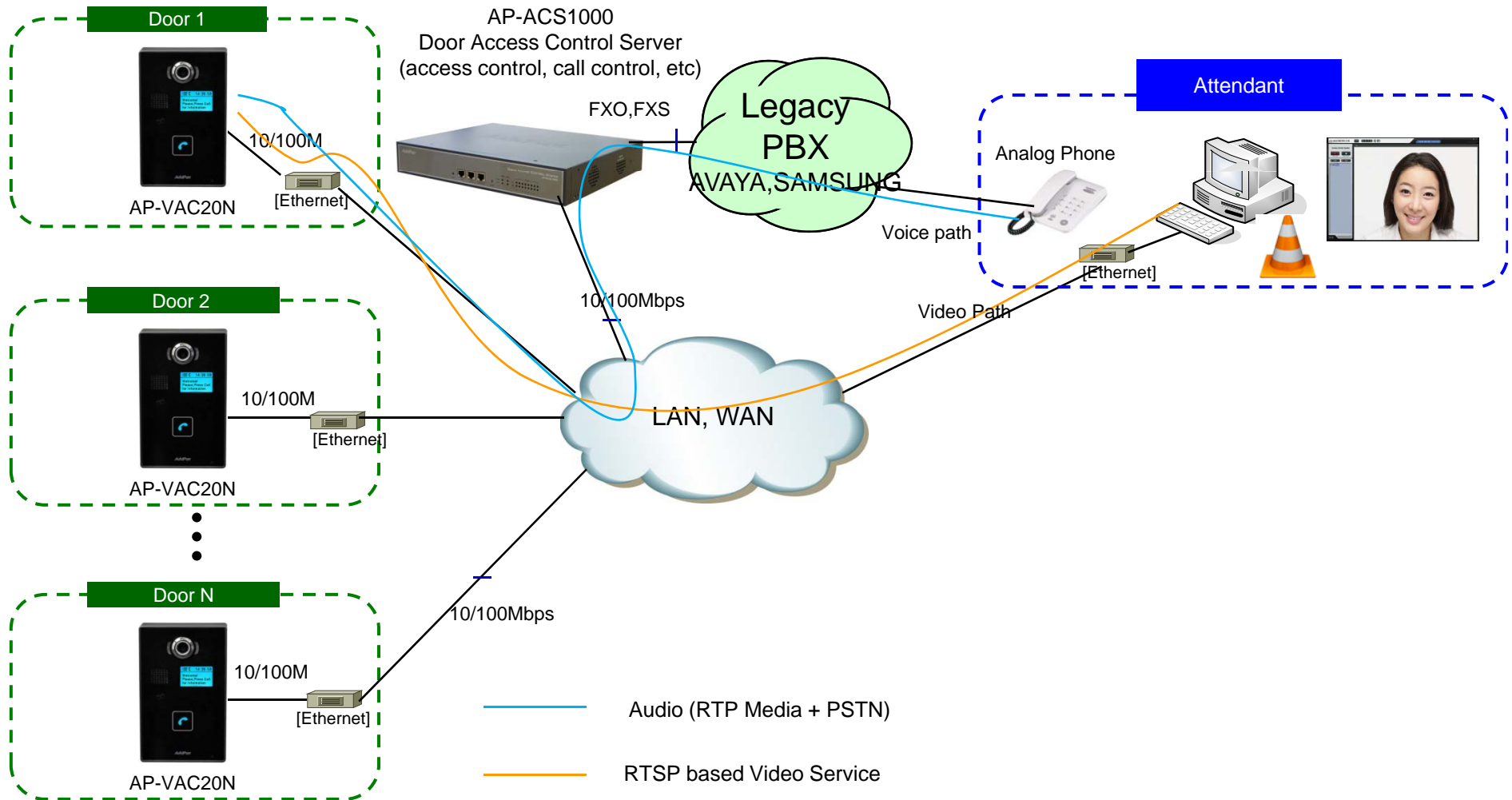
RTSP based Video Service

: Door Attendant Service using Audio Terminal

- **Video Camera**
 - RTSP based Video Camera
 - Video and Audio(*) Support
 - Video is disabled when Video Call State
 - Audio is disable when Call State
- **Audio Call with Video Camera**
 - Audio Call with IP Phone
 - Execute VLC Application at User PC
 - Video Monitoring using VLC
 - VLC close when Call is terminated

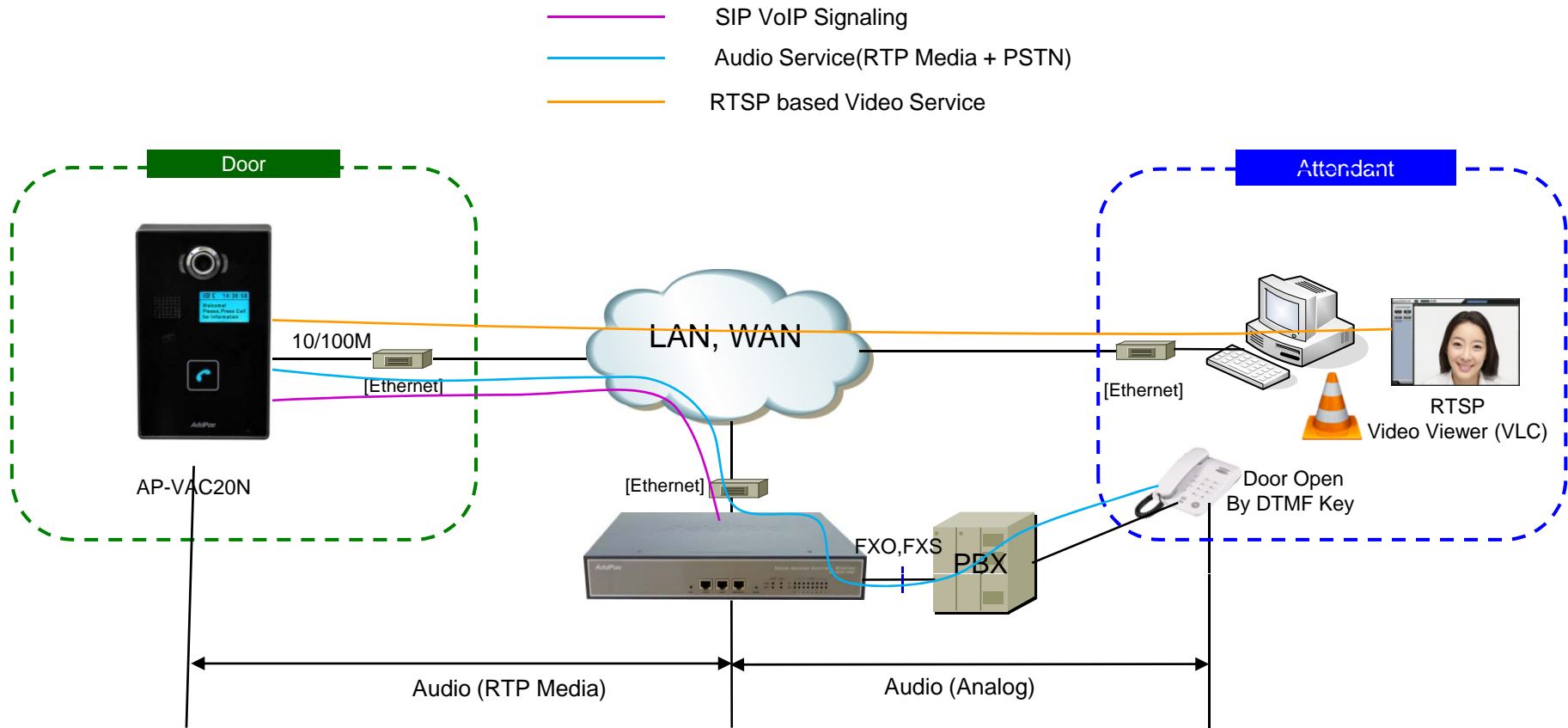
RTSP based Video Service Diagram

: Door Attendant Service using Analog Phone



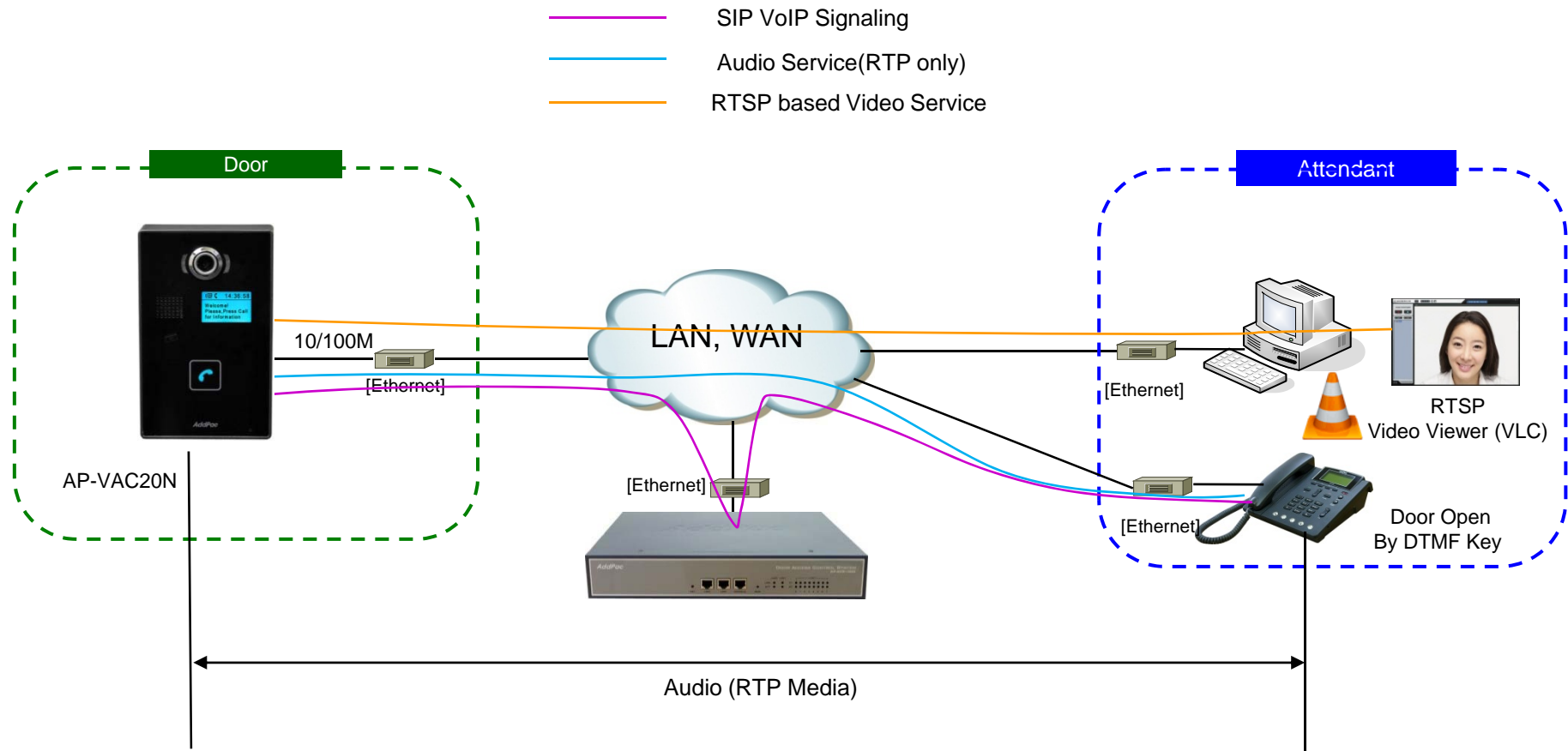
RTSP based Video Service Diagram

: Door Attendant Service using Analog Phone



RTSP based Video Service Diagram

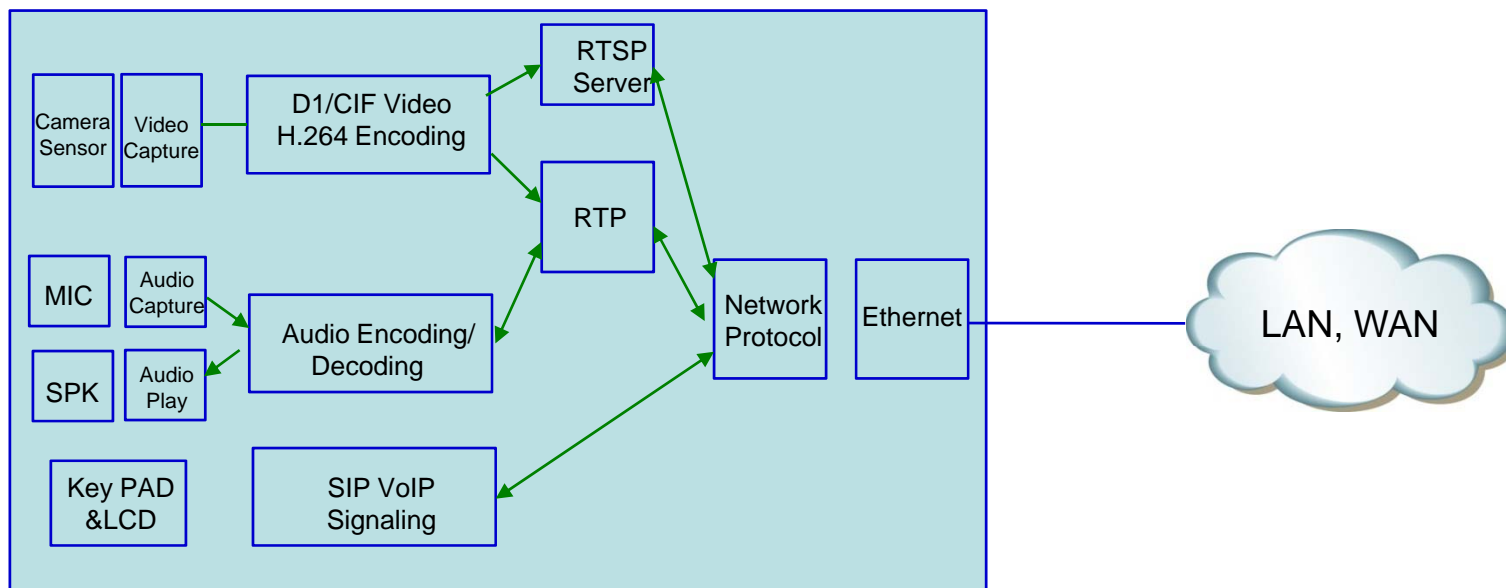
: Door Attendant Service using IP Phone





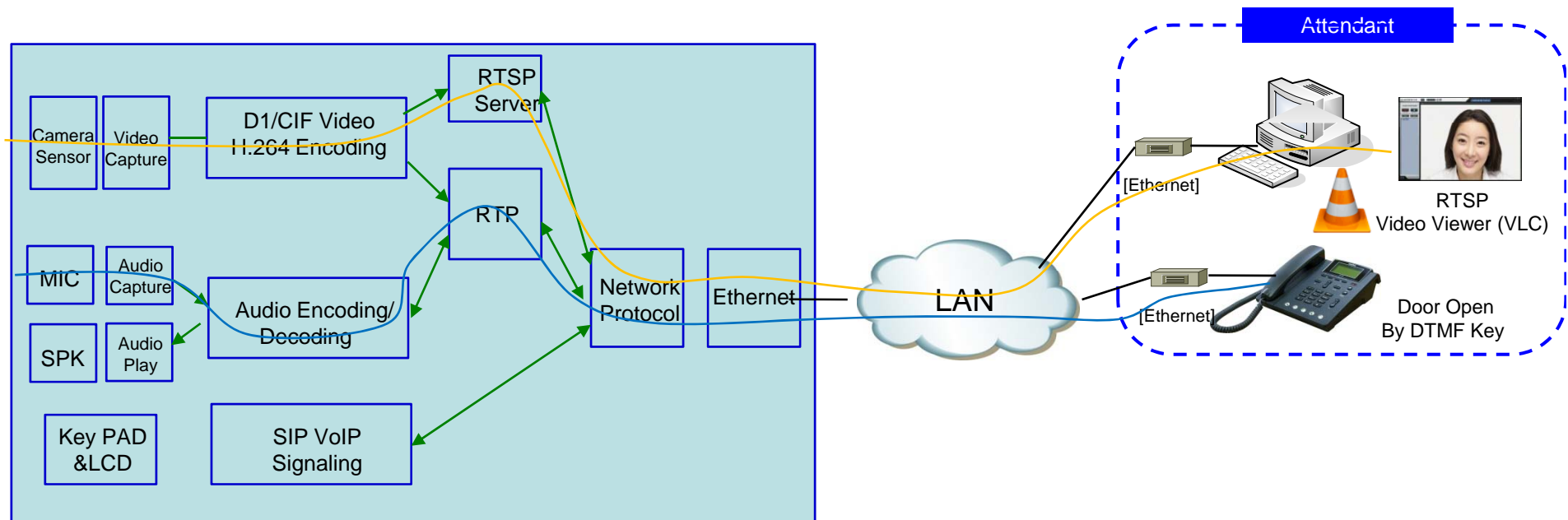
RTSP based AP-VAC20N Internal Block Diagram

AP-VAC20N Internal S/W Block Diagram



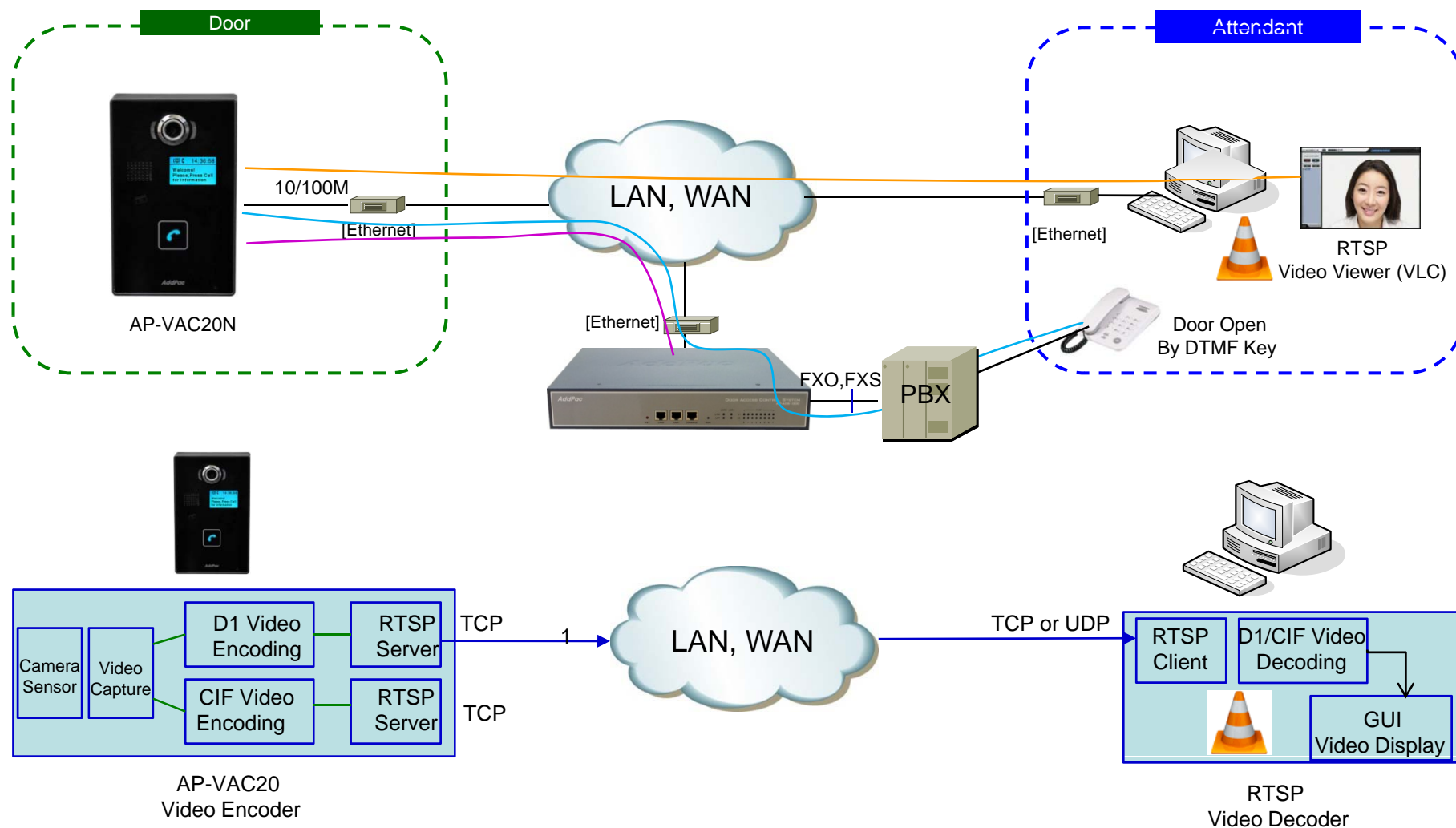
AP-VAC20N
Video Encoder

RTSP/RTP Video Service Block Diagram



AP-VAC20N
Video Encoder

RTSP based Network Block Diagram





Thank you!

AddPac Technology Co., Ltd.
Sales and Marketing

Phone +82.2.568.3848 (KOREA)

FAX +82.2.568.3847 (KOREA)

E-mail sales@addpac.com