



AP-SH20 Smart Hub Cloud for Zwave Sensor Device

High Performance Smart Hub Solution for Zwave Sensors



AddPac

AddPac Technology

Sales and Marketing

www.addpac.com

Contents

- Product Overview
- Hardware Specification
- APOS Technology
- Network Protocols
- Network Management
- Security Management
- Application Service
- Ordering Information

Product Overview

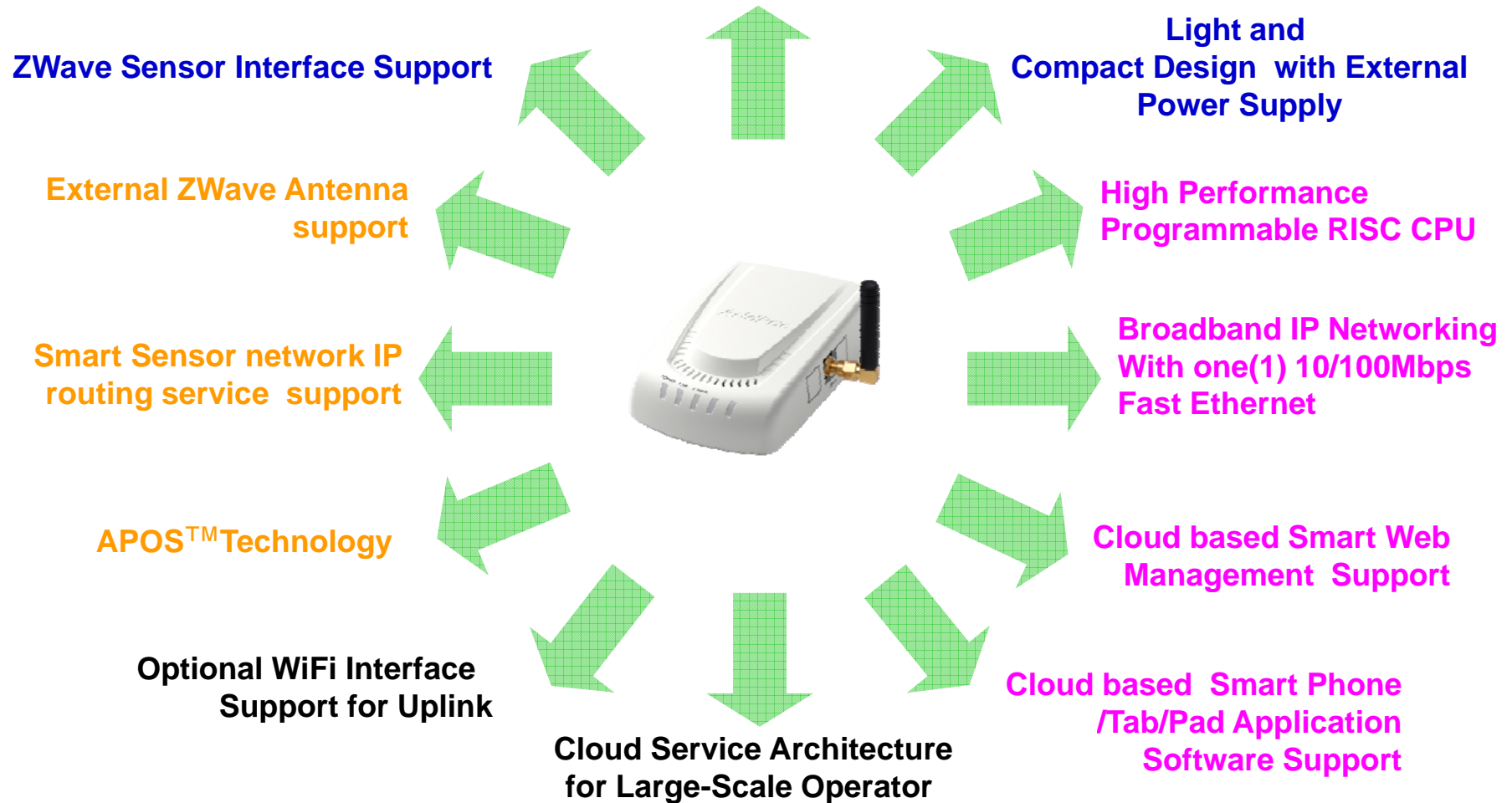
AP-SH20 Smart Hub Cloud for ZWave sensors

- Cloud based Advanced Smart Home Solution
- ZWave Sensor Interface Support
- External ZWave Antenna Support for Performance
- Smart IP Routing Service Features for Sensor Network
- High Performance RISC Programmable Architecture
- One 10/100Mbps Fast Ethernet or WiFi LAN Interface
- High Performance LAN-to-ZWave Routing Capability
- Cloud Server based Smart Web based Management
- Cloud Server based Smart Phone/Tab/Pad Application Software
- Light and Compact Design with External Power Supply

Product Highlights

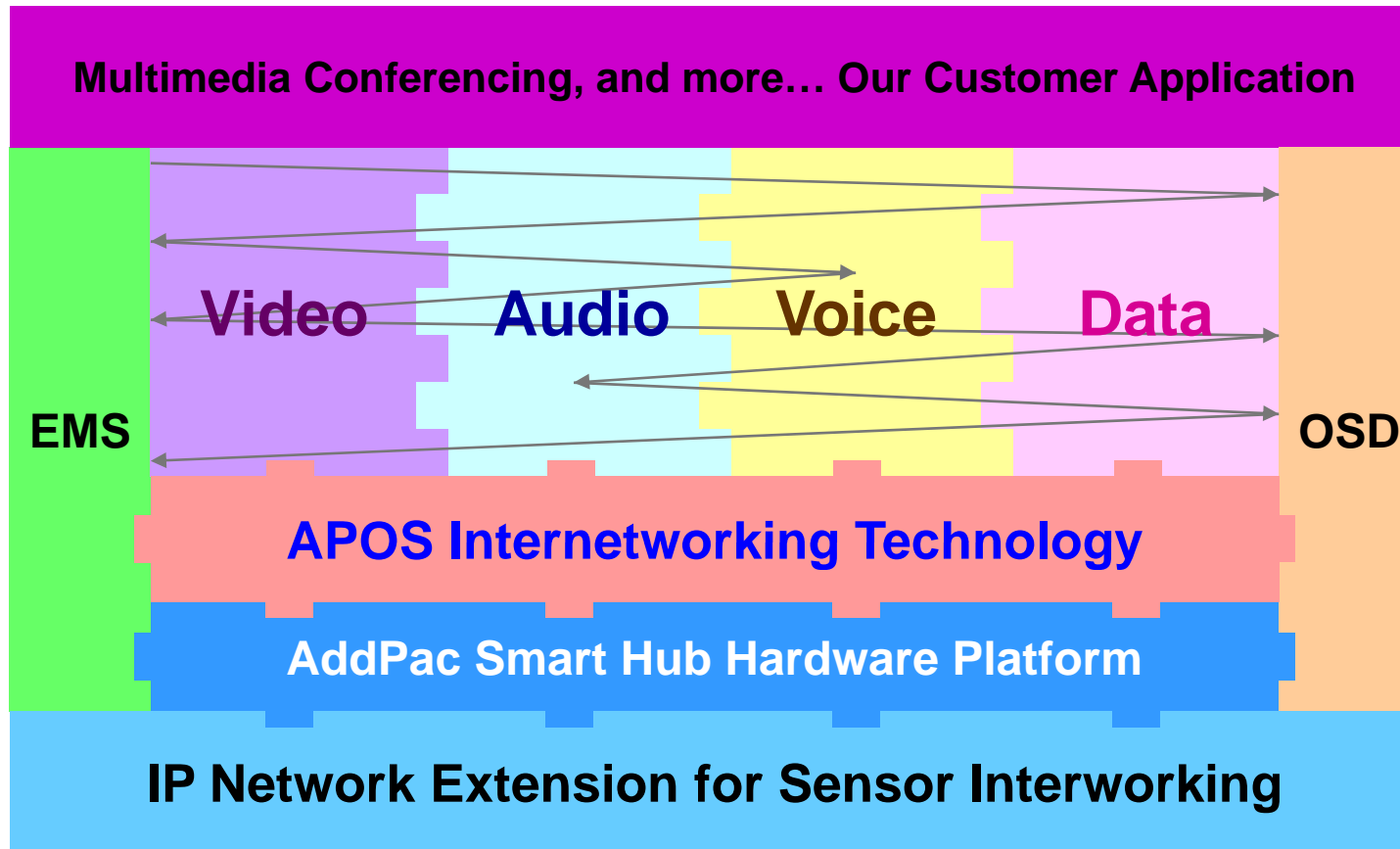
AP-SH20 Smart Hub Cloud for ZWave sensors

Powerful Smart Hub Cloud for ZWave sensors



APOS Technology

AP-SH20 Smart Hub Cloud for ZWave sensors



- APOS : AddPac Internetworking Operating System
- OSD : On- Screen Display
- EMS : Element Management System

Hardware Specification

AP-SH20 Smart Hub Cloud for ZWave sensors

RISC
CPU

- RISC Microprocessor Computing Power
- 1-Port ZWave Interface
- 1-Port ZWave Antenna
- Network Interface
 - AP-SH20 : One(1) 10/100Mbps Fast Ethernet (RJ45)
 - AP-SH20W : One(1) WiFi LAN Interface with Antenna
- Run LED, LAN LED, Port LEDs
- External Power Supply

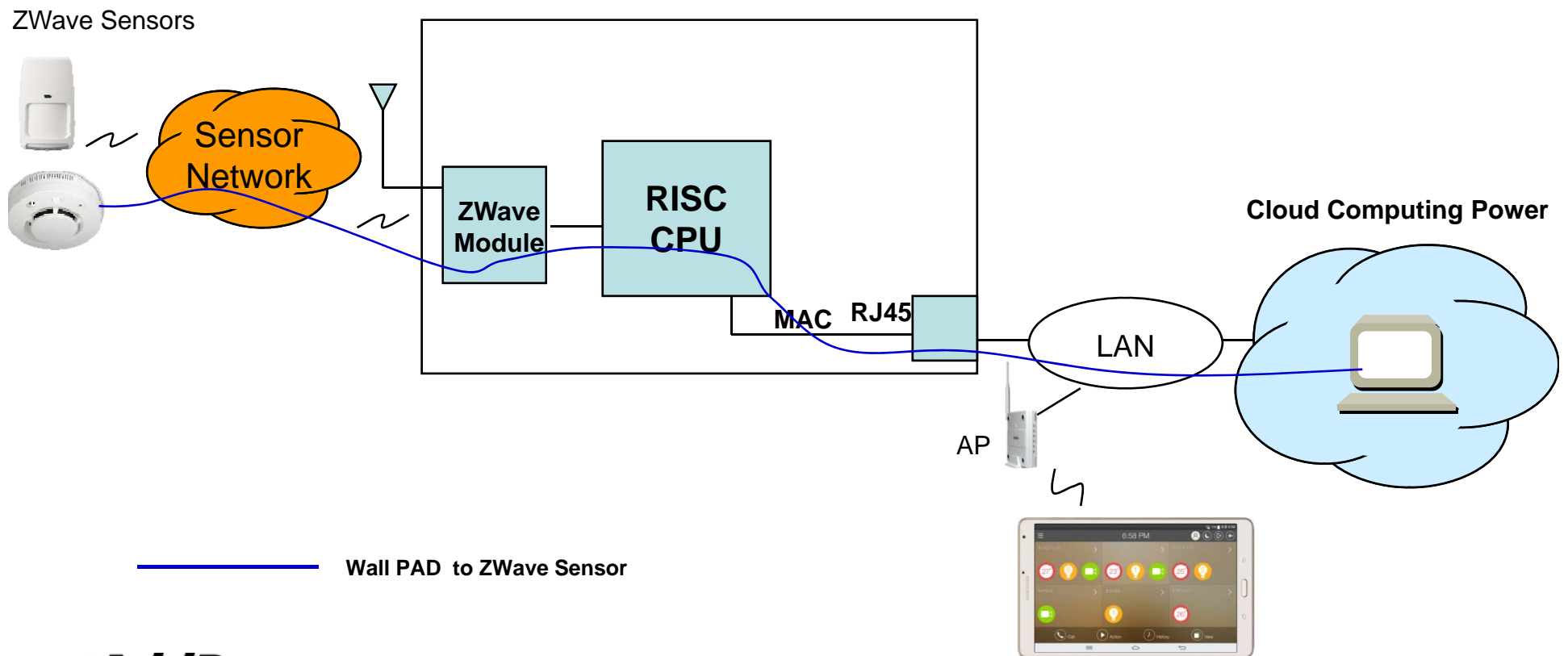
Hardware Specification

AP-SH20 Smart Hub Cloud for ZWave sensors



Smart Hub Service Diagram

AP-SH20 Smart Hub Internal H/W Block Diagram



Hardware Specification

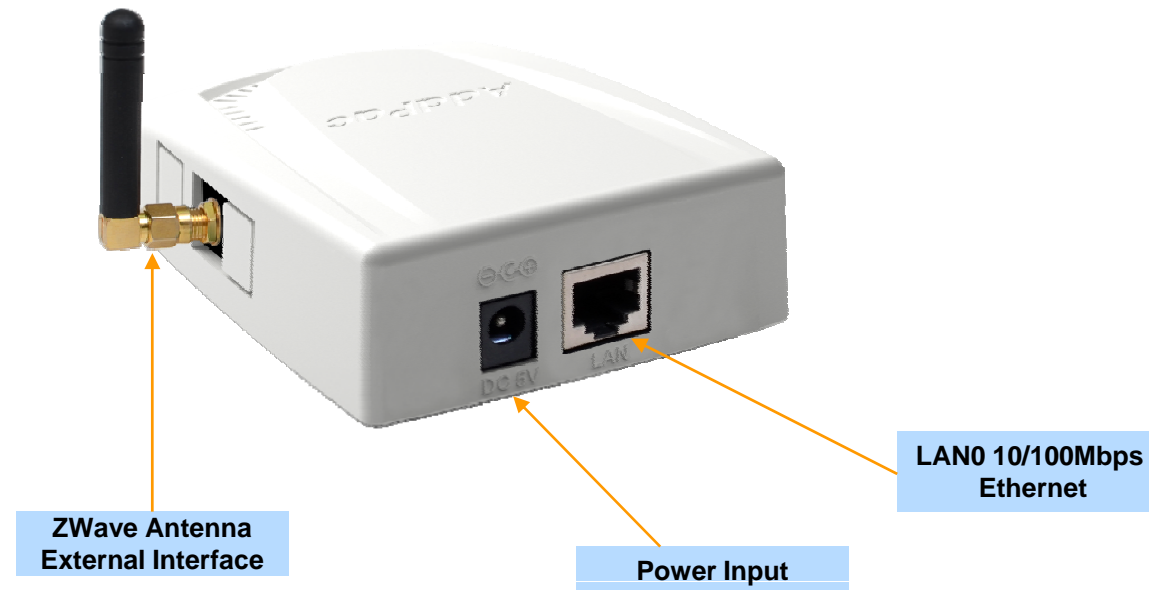
AP-SH20 Smart Hub Cloud for ZWave sensors

| AP-SH20 Smart Hub | Basic Specifications |
|--------------------------------|---|
| Sensor Interface | One(1)-Port ZWave Interface |
| ZWave Antenna Interface | External ZWave Antenna |
| Ethernet Interface | AP-SH20 : 1-Port 10/100Mbps Ethernet Interface(1 x RJ-45) AP-SH20W : 1-Port WiFi LAN Interface |
| Power Requirement | Power Supply Adaptor / VAC 110~220V, 50/60Hz, 5V, 2A |
| Operating Temperature | 0°C ~ 45°C (32 °F ~ 122°F) |
| Storage Temperature | -40°C ~ 85°C (-40°C ~ 185°F) |
| Relative Humidity | 5% ~ 95% (Non-condensing) |
| Dimension | 28.8mm x 77mm x 111mm (H x W x D) |
| Weight (Kg) | 0.12Kg |

Hardware Specification

AP-SH20 Smart Hub Cloud for ZWave sensors

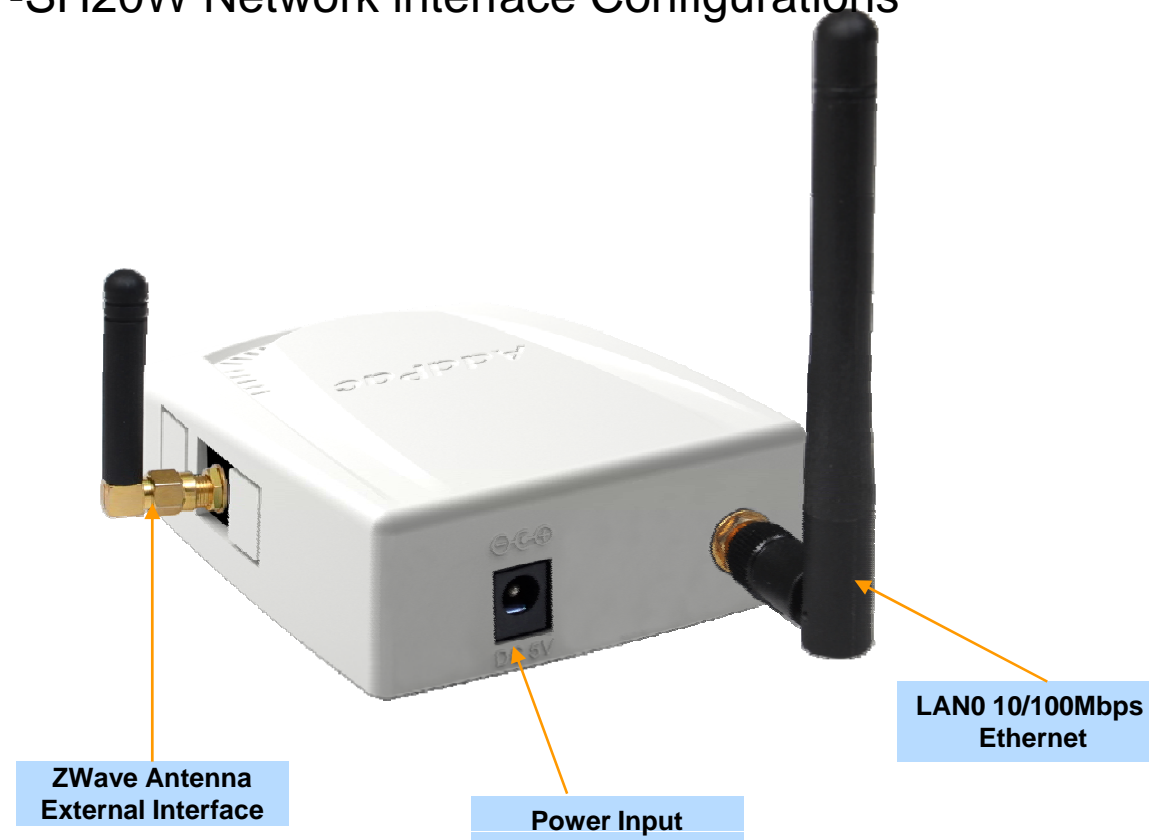
AP-SH20 Network interface Configurations



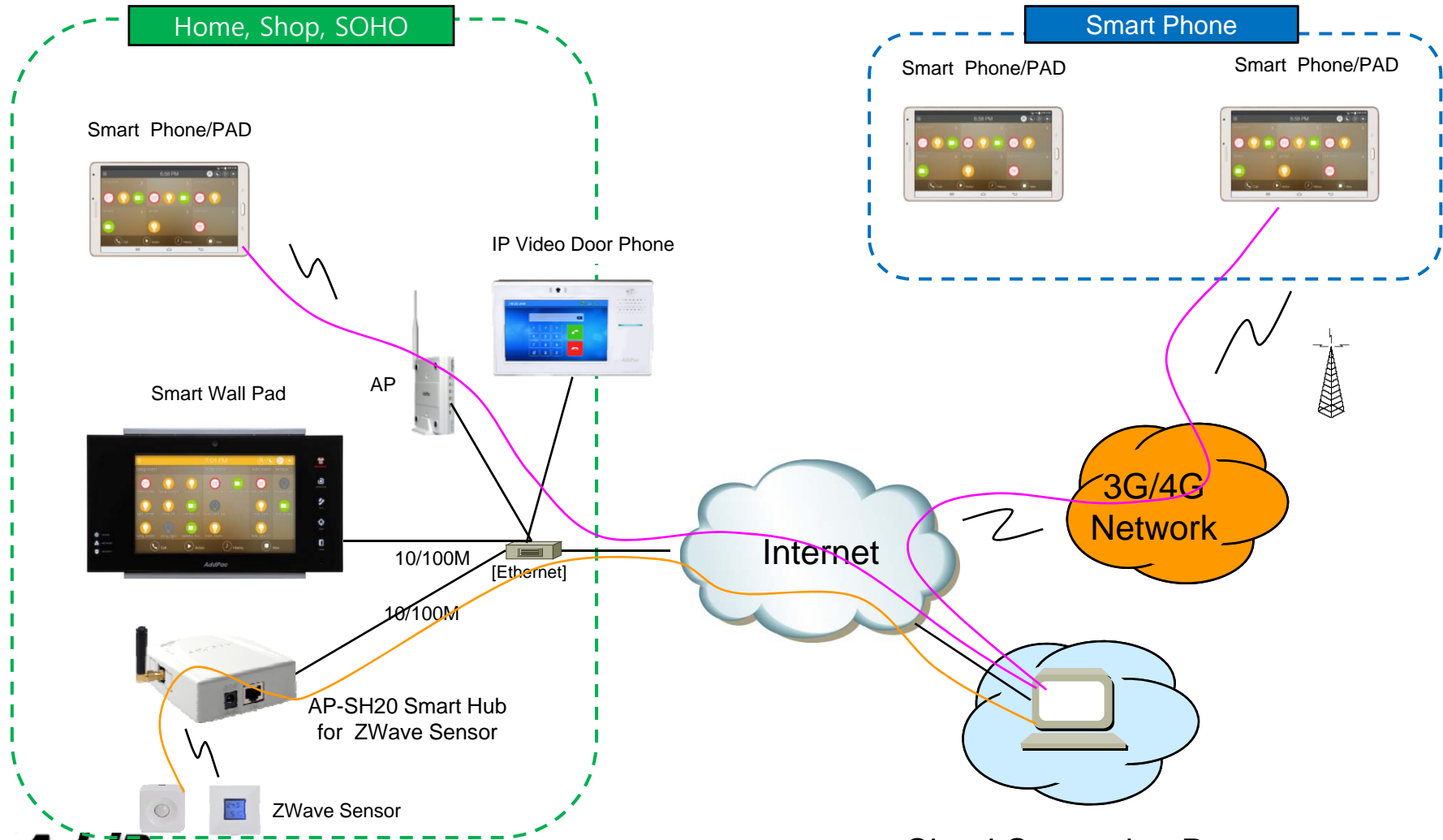
Hardware Specification

AP-SH20 Smart Hub Cloud for ZWave sensors

AP-SH20W Network interface Configurations



Standard Application



Ordering Information

- **AP-SH20 Smart Hub Cloud Hardware**
 - AP-SH20 Smart Hub Cloud Main Body
 - RISC Microprocessor
 - 1-Port ZWave Interface with external antenna
 - 1-port 10/100Mbps Fast Ethernet(RJ45) or 1-port WiFi LAN Interface (AP-SH20W)
 - Including Network Cable, Antenna & Ext. Power Supply, etc.
- **Built-in APOS Internetworking Software for AP-SH20**
- **Including 1 Year Hardware Warranty**
- **Product Documents**
 - Install and Operation Guide (PDF)
- **Pricing**
 - AddPac Technology Regional Sales Manager
 - Authorized Sales and Marketing Representatives
 - Please Contact www.addpac.com

Smart Hub Series

Thank you!

AddPac Technology Co., Ltd.
Sales and Marketing

Phone +82.2.568.3848 (KOREA)

FAX +82.2.568.3847 (KOREA)

E-mail sales@addpac.com