

GSM Gateway Series



Web based New GSM Call Statistics

AddPac

AddPac Technology

2011, Sales and Marketing

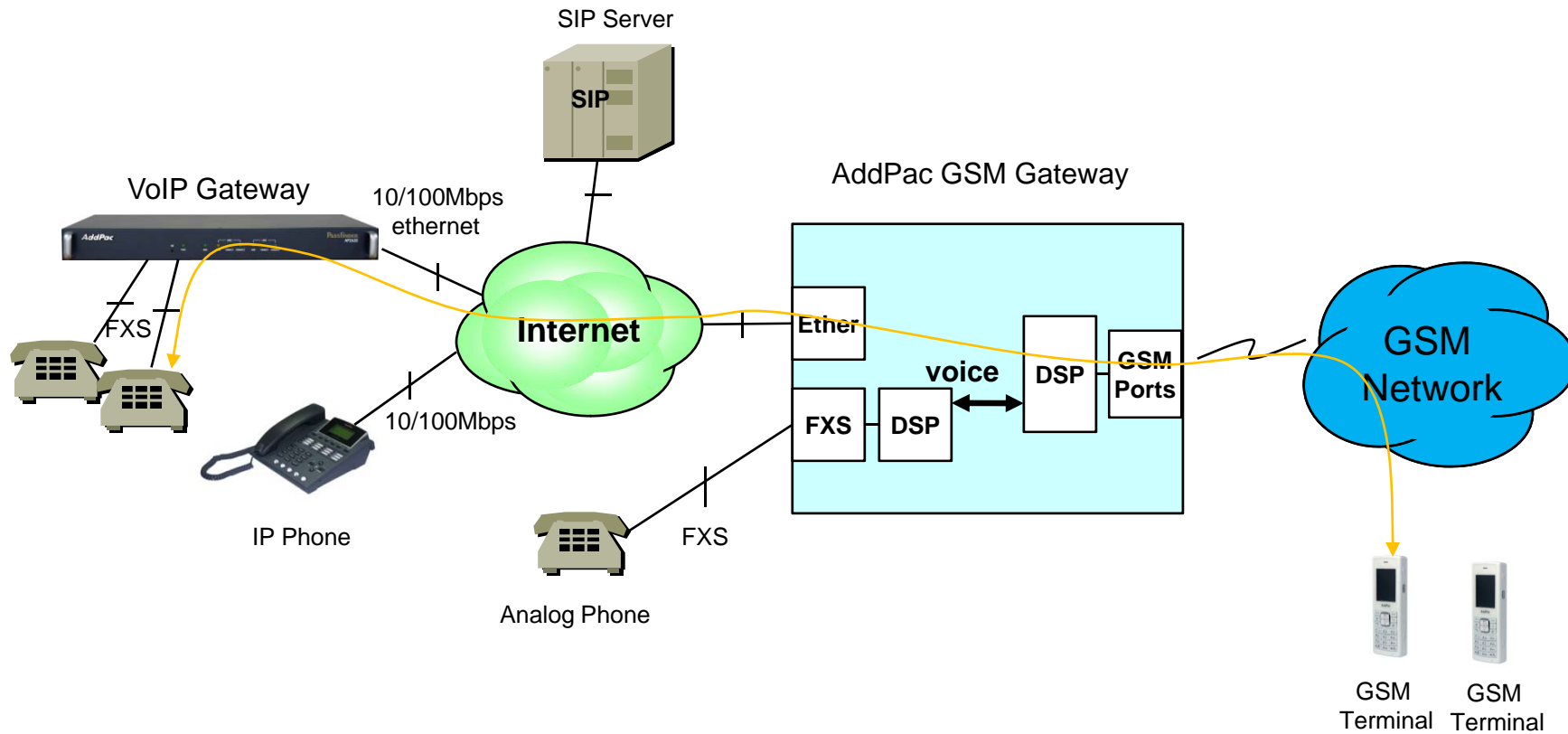
www.addpac.com

Contents

- GSM VoIP Service Network Diagram
- AP-GS5000 GSM VoIP Service Example
- Port Call Routing Statistics Diagram
- Port Call Fail Statistics Diagram
- Smart Web for GSM Call Statistics



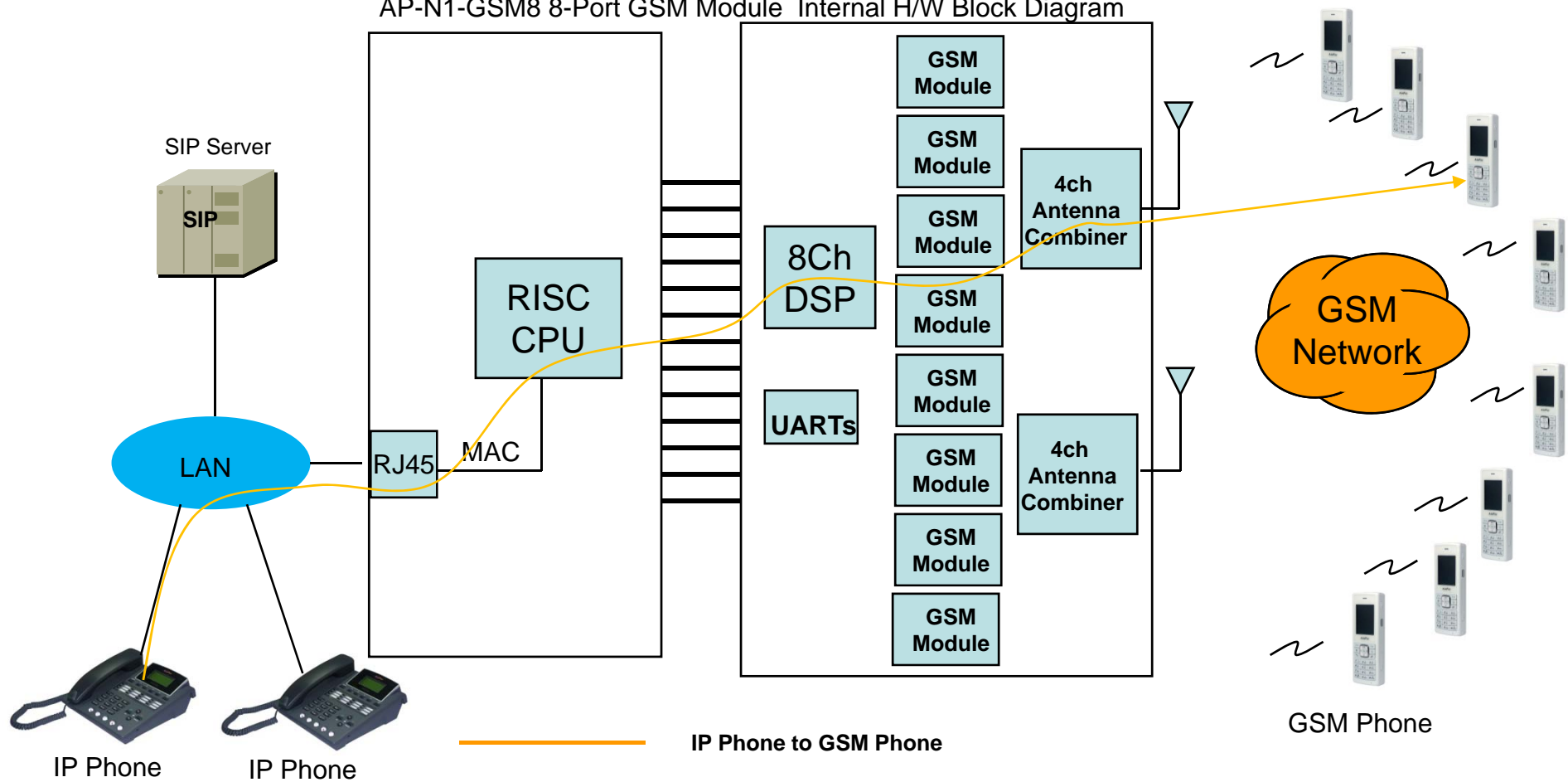
Network Diagram



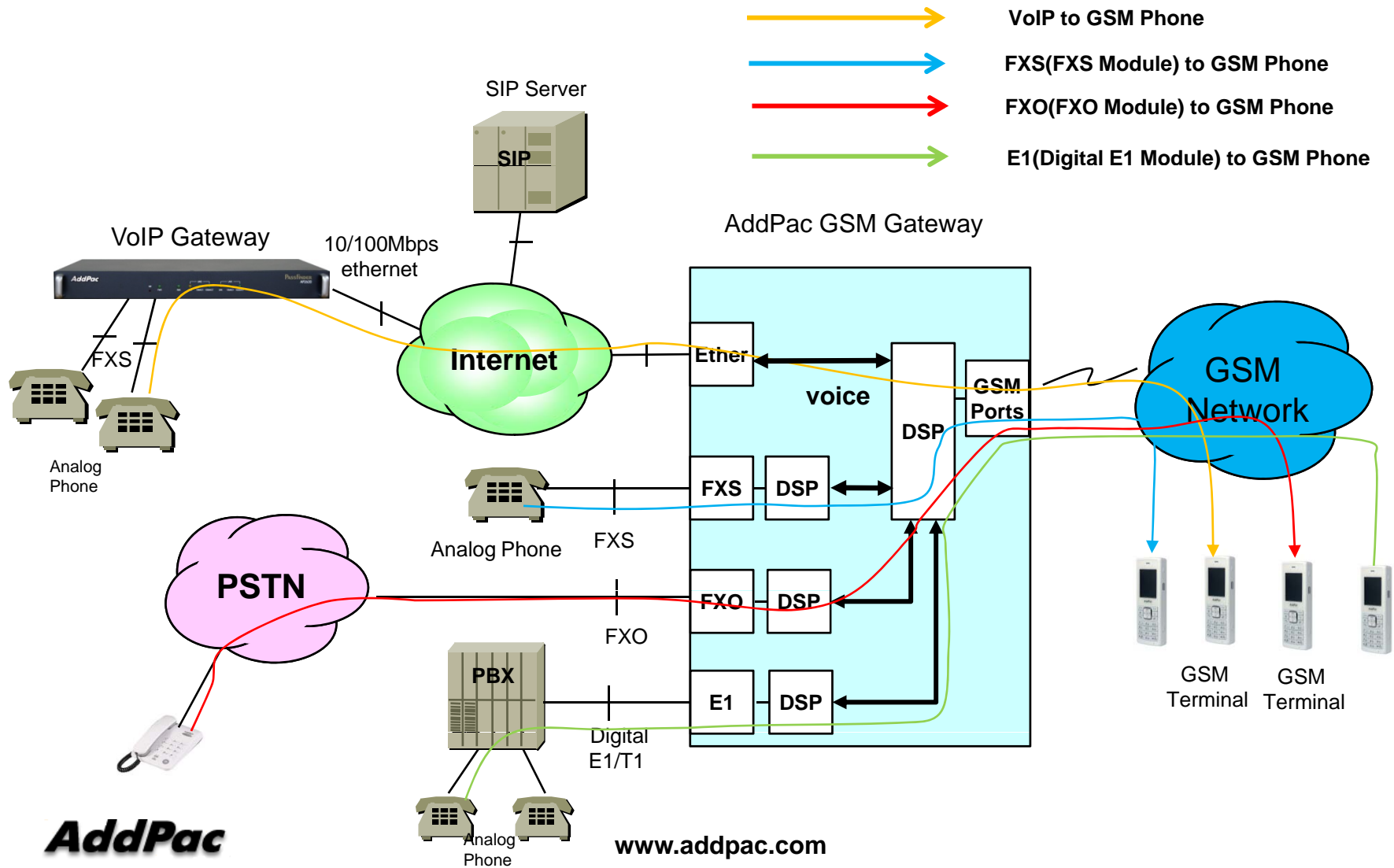
Network Diagram (AP-GS5000 example)

AP-GS5000 GSM Gateway Service Diagram

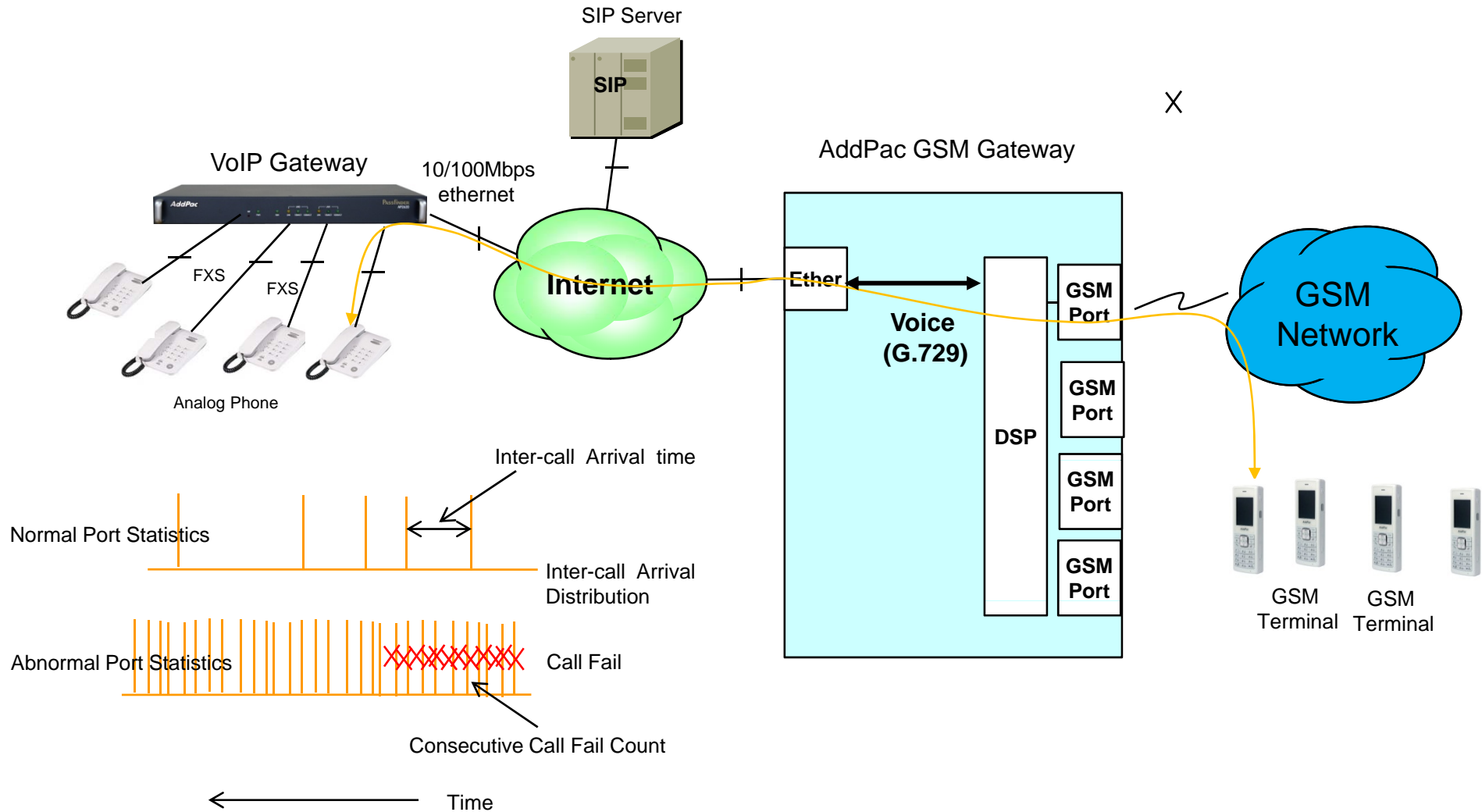
AP-N1-GSM8 8-Port GSM Module Internal H/W Block Diagram



Network Diagram(Port Call Routing Statistics)



Network Diagram(Port Call Fail)



Miscellaneous – GSM Call Statistics

Total GSM Call Statistics

- Total GSM Calls
- Total ASR
- Total ACD

Total	Total Call Count				Total ASR	Total ACD	ALL Clear
	VOIP	FXS	FXO	E1			
GSM	1087	0	0	0	38%	480	<input type="button" value="Clear"/>

Individual GSM Call Statistics

- GSM Sim Number
- GSM Calls
- GSM ASR
- GSM ACD

Port	GSM Sim Number	Call Count				ASR	ACD	Consecutive Fails	
		VOIP	FXS	FXO	E1				
P0:0		25	0	0	0	32%	214	0	<input type="button" value="Clear"/>
P0:1		13	0	0	0	28%	340	0	<input type="button" value="Clear"/>
P0:2		23	0	0	0	38%	540	0	<input type="button" value="Clear"/>
P0:3		21	0	0	0	40%	528	0	<input type="button" value="Clear"/>
P0:4		23	0	0	0	32%	447	0	<input type="button" value="Clear"/>
P0:5		13	0	0	0	41%	727	0	<input type="button" value="Clear"/>
P0:6		22	0	0	0	33%	622	0	<input type="button" value="Clear"/>
P0:7		23	0	0	0	44%	421	0	<input type="button" value="Clear"/>
P1:0		13	0	0	0	35%	476	0	<input type="button" value="Clear"/>
P1:1		21	0	0	0	38%	499	0	<input type="button" value="Clear"/>

Consecutive Fails

Once call fail occurs on the port, "Consecutive Fails Count" will be increased by "1", and after Call Connecting, it will become zeroed (0)

GSM Gateway Series

Thank you!

AddPac Technology Co., Ltd.
Sales and Marketing

Phone +82.2.568.3848 (KOREA)

FAX +82.2.568.3847 (KOREA)

E-mail sales@addpac.com