

Handset IP Video Door Phone Solution

A promotional banner for AddPac's Handset IP Video Door Phone Solution. The banner has a blue background with white text and images. On the left, there is a list of product models and their descriptions, followed by a 'Learn More >' button. In the center, two handset IP video phones are shown, each with a small screen displaying a woman's face. On the right, a larger IP video phone is shown on top of a black base unit with various ports and a handset.

Handset IP Video Door Phone Solution

- AP-VAC300H Handset IP Video Phone
- AP-VAC80H Handset IP Video Phone
- AP-VP280 IP Video Phone
- AP-ACS1500 Door Access Control

[Learn More >](#)

AddPac

AddPac Technology

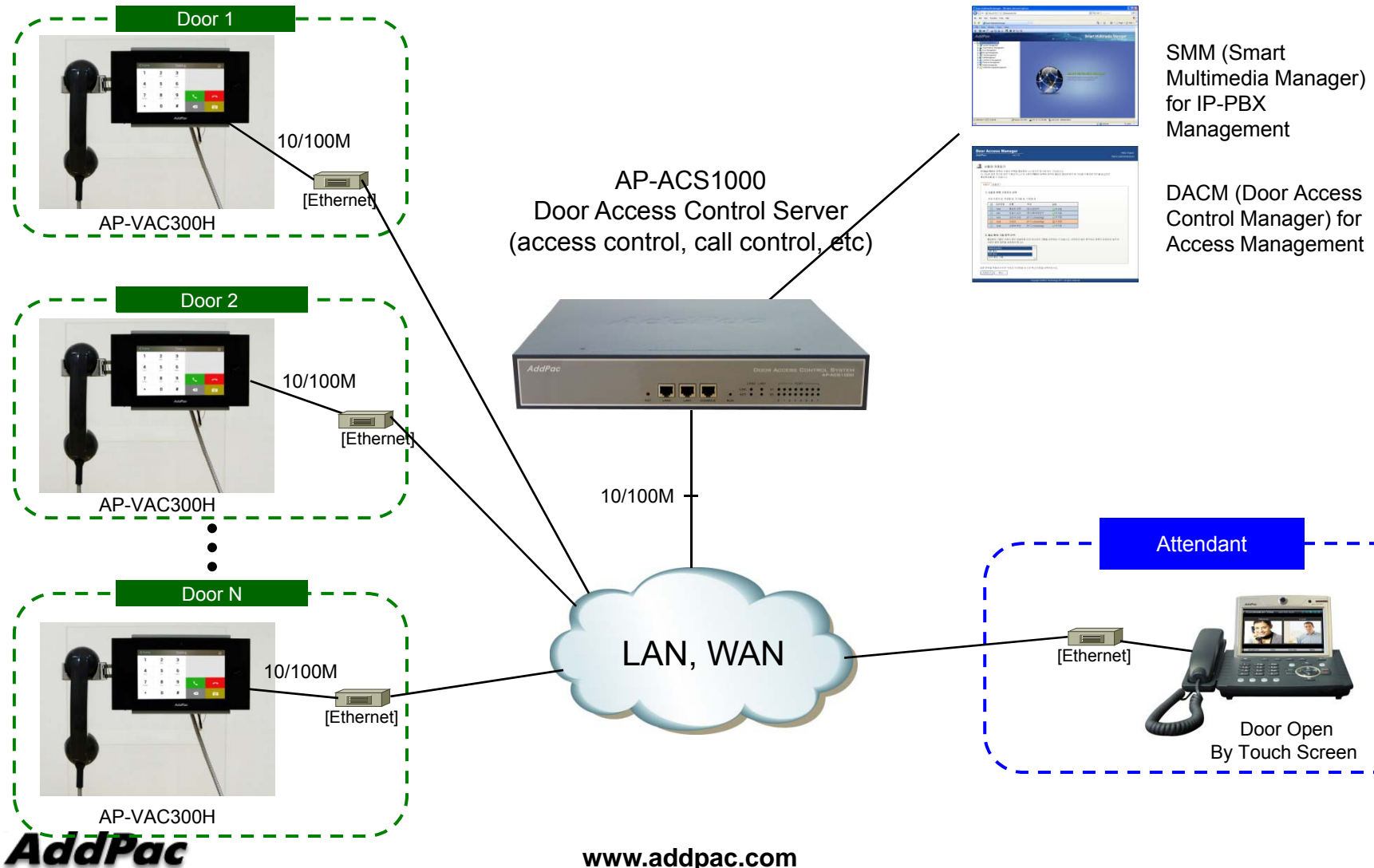
Sales and Marketing

www.addpac.com

Contents

- Handset IP Video Door Phone Service Diagram
- Handset IP Video Door Phone Comparison Table
- Handset IP Video Door Phone
 - AP-VAC300H
 - AP-VAC80H
- Backend Solution
 - AP-ACS1000, AP-ACS1500 Door Access Control Server (SIP Call Manager + Door Access Control Manager)
 - AP-VP280 IP Video Phone
 - AP-SMP100 Soft Phone



Network Environment (All IP, SIP Mode)





Handset IP Video Door Phones

Handset IP Video Phone Comparison Table

Model	AP-VAC300H	AP-VAC80H
Service Features		
Duplex (Voice)	Full Duplex	Full Duplex
Key Pad	Touch Screen based Key Support	Touch Screen based Key Support
LCD	7 Inch LCD	5 Inch LCD
RF Card	Support	Support
Video Camera	SD (CMOS Sensor)	SD (CMOS Sensor)
Video Codec	H.264/MPEG4	H.264/MPEG4
Voice Codec	G.711	G.711
Signaling	H.323/SIP	H.323/SIP
MIC & Speaker Phone	Support	Support
Handset (Option)	Support	Support
LAN Port	1	1
PoE(Optional)	Support	Support

AP-VAC300H Handset IP Video Door Phone



Product Overview

AP-VAC300H IP Video Door Phone

- High Performance IP Video Door Phone Solution
- Video Camera, Touch Screen TFT Color LCD, Internal MIC & Speaker
- Optional Handset Interface, Off-Hook/On-Hook Detect
- RF Card Support
- High Quality 7 Inch LCD, 800 x 480 Video Resolution
- SIP VoIP Signaling Stack Embedded
- High-performance Video/Voice Codec Support
 - H.264/MPEG4/H.263, G.711, etc
- One(1) 10/100Mbps Fast Ethernet
- USB Interface for External WiFi USB Module
- PoE(Power over Ethernet) Support
- High Quality Speaker Phone Features
- Powerful Acoustic Echo Canceller Chip Embedded
- Powerful Network Protocols (PPPoE, DHCP, Static Routing, etc)
- Firmware Upgradeable Architecture
- Advanced Voice QoS Mechanism

Hardware Specification

AP-VAC300H IP Video Door Phone

RISC
CPU

High-end
DSP

- RISC+DSP Microprocessor Computing Power
- Audio and Voice Interface
 - Internal MIC
 - Internal Speaker
- Video Camera Interface
- TFT Color LCD Interface
 - 7 Inch LCD, 800 x 480 Video Resolution
- Network Interface
 - One(1) 10/100Mbps Fast Ethernet
 - USB Interface for External WiFi USB Module (Option)
- RF Card Interface
- Alarm & Relay Out Interface (door open, etc)
- Handset Interface (Optional), Off Hook/On-Hook Detect
- RS232/RS485 Interface
- Power Supply
 - Power over Ethernet (Option)
 - External Power Supply

Hardware Specification

AP-VAC300H IP Video Door Phone

RISC
CPU

High-end
DSP

- **Acoustic Echo Canceller**
 - Full-duplex operation during double-talk situations
 - One channel AEC, one channel LEC up to 256ms shared
 - Cancels echoes with up to 10dB echo return
 - Advanced noise reduction(up to 20dB)
- **Speaker**
 - Impedance : 8 +/-15%ohm at 1kHz, 1.0 Vrms
 - Sound Pressure : 90 +/- 3dB at 0.1W/10 CM
at 800Hz, 1.0kHz, 1.2kHz, 1.5kHz
 - Resonance Level : 550Hz +/- 20%Hz at Fo Hz, 1.0Vrms
 - Frequency Range : Fo Hz ~20kHz
 - Input Power : Normal : 1.0 W, Max : 2.0W
- **Audio Amplifier**
 - 1-W BTL Output(5V, 0.11 % THD+N)
 - Uncompensated Gains of 2 to 20 (BTL Mode)
 - Thermal and Shot-circuit Protection
 - High Supply Ripple Rejection Ratio
- **PoE(Power over Ethernet)**
 - IEEE802.3af compliant
 - Input voltage range 36V to 57V
 - Short-circuit Protection

Hardware Specification

AP-VAC300H IP Video Door Phone

RISC
CPU

High-end
DSP

- **LCD Controller**
 - One-Chip Solution for TFT-LCD
 - Hardware On-Screen Display (OSD)
 - Support resolution up to 480xRGBx800
 - Up to 24-bit RGB888 Digital Interface
 - Resize Function (x 1/16, x8)
 - BT.60/BT.66 Digital YCbCr 4:2:2(8-/16-bit) Interface
- **Camera**
 - High Sensitivity for low-light operation
 - Output support for Raw RGB, RGB, and YCrCb format
 - Image Size : VGA, QVGA, and any size scaling down from CIF to 40x30
 - Support AEC, AGC,AWB, ABF, ABLC
 - Saturation Level, Edge Enhancement Level, De-noise level Auto adjust

Hardware Specification

AP-VAC300H IP Video Door Phone

RISC
CPU

High-end
DSP

- RF Card Sensor
 - Protocol Supported
 - ISO14443A/B all bit rates
 - > 106,212,424 and 848 kbps
 - Compatible to MiFare Classic
 - ISO15693 all modes
 - > 1.65/6.6 & 26.5 kbps
 - > Uplink 1 & 2 sub-carrier
 - Receiver
 - Rx Sensitivity down to 1mVrms
 - Rx Automatic Gain Control
 - Accept external baseband signal from
 - external circuitry for frame level processing
 - Integrated signal strength indicator (SSI)
 - On-Chip Framing handler for supported standard
 - Transmitter
 - Typical proximity operating distance up to 100mm.
 - Software configurable modulation index
 - Maximum driving current up to 200 mA/PIN @ 5V
 - Accept external baseband signal for RF modulation
 - Wide Transmitter driver supply range from 2.7~7.0V

Hardware Specification

AP-VAC300H IP Video Door Phone

RISC
CPU

High-end
DSP

Front Side

Video Camera

7" TFT LCD Display
& Touch Screen

RF Card Sensor

Touch Key Menu



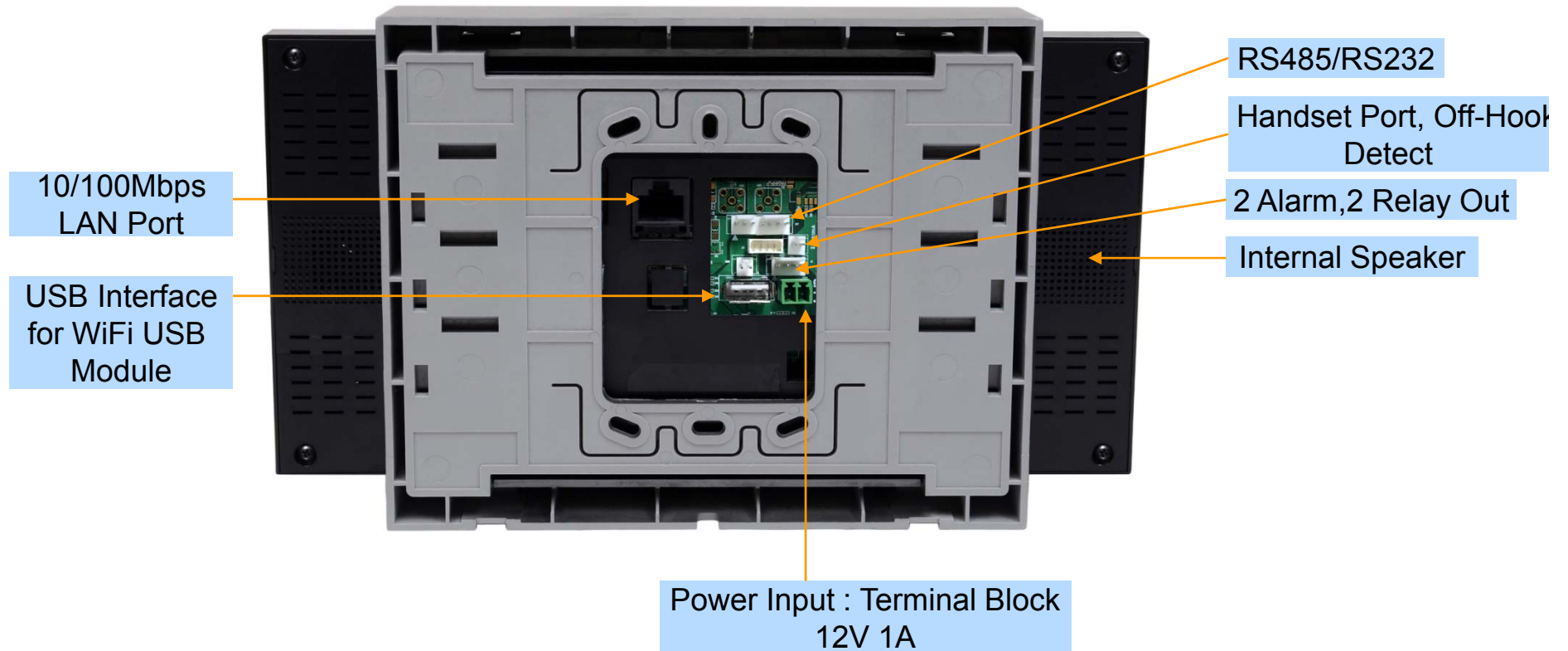
Hardware Specification

AP-VAC300H IP Video Door Phone

RISC
CPU

High-end
DSP

Back Side



Hardware Specification

AP-VAC300H IP Video Door Phone

RISC
CPU

High-end
DSP

Power Supply

Terminal Block



12V 1A Power Adaptor

Example



AP-VAC80H Handset IP Video Door Phone



Product Overview

AP-VAC80H IP Video Door Phone

- High Performance Handset IP Video Door Phone Solution
- Video Camera, Touch Screen TFT Color LCD, Internal MIC & Speaker
- Optional Handset Interface, Off-Hook/On-Hook Detect
- High Quality 5 Inch LCD, 800 x 480 Video Resolution
- SIP VoIP Signaling Stack Embedded
- High-performance Video/Voice Codec Support
 - H.264/MPEG4, G.711, etc
- One(1) 10/100Mbps Fast Ethernet
- PoE(Power over Ethernet) Support
- High Quality Speaker Phone Features
- Powerful Acoustic Echo Canceller Chip Embedded
- Powerful Network Protocols (PPPoE, DHCP, Static Routing, etc)
- Firmware Upgradeable Architecture
- Advanced Voice QoS Mechanism

Hardware Specification

AP-VAC80H IP Video Door Phone

RISC
CPU

High-end
DSP

- RISC+DSP Microprocessor Computing Power
- Audio and Voice Interface
 - Internal MIC
 - Internal Speaker
- Video Camera Interface
- TFT Color LCD Interface
 - 5 Inch LCD, 800 x 480 Video Resolution
- Network Interface
 - One(1) 10/100Mbps Fast Ethernet
- RF Card Interface
- Alarm & Relay Out Interface (door open, etc)
- Handset Interface (Optional), Off Hook/On-Hook Detect
- Power Supply
 - Power over Ethernet (Option)
 - External Power Supply

Hardware Specification

AP-VAC80H IP Video Door Phone

RISC
CPU

High-end
DSP

- **Acoustic Echo Canceller**
 - Full-duplex operation during double-talk situations
 - One channel AEC, one channel LEC up to 256ms shared
 - Cancels echoes with up to 10dB echo return
 - Advanced noise reduction(up to 20dB)
- **Speaker**
 - Impedance : 8 +/-15%ohm at 1kHz, 1.0 Vrms
 - Sound Pressure : 90 +/- 3dB at 0.1W/10 CM
at 800Hz, 1.0kHz, 1.2kHz, 1.5kHz
 - Resonance Level : 550Hz +/- 20%Hz at Fo Hz, 1.0Vrms
 - Frequency Range : Fo Hz ~20kHz
 - Input Power : Normal : 1.0 W, Max : 2.0W
- **Audio Amplifier**
 - 1-W BTL Output(5V, 0.11 % THD+N)
 - Uncompensated Gains of 2 to 20 (BTL Mode)
 - Thermal and Shot-circuit Protection
 - High Supply Ripple Rejection Ratio
- **PoE(Power over Ethernet)**
 - IEEE802.3af compliant
 - Input voltage range 36V to 57V
 - Short-circuit Protection

Hardware Specification

AP-VAC80H IP Video Door Phone

RISC
CPU

High-end
DSP

- **LCD Controller**
 - One-Chip Solution for TFT-LCD
 - Hardware On-Screen Display (OSD)
 - Support resolution up to 240xRGBx320
 - Up to 24-bit RGB888 Digital Interface
 - Resize Function (x 1/16, x8)
 - BT.60/BT.66 Digital YCbCr 4:2:2(8-/16-bit) Interface
- **Camera**
 - High Sensitivity for low-light operation
 - Output support for Raw RGB, RGB, and YCrCb format
 - Image Size : VGA, QVGA, and any size scaling down from CIF to 40x30
 - Support AEC, AGC,AWB, ABF, ABLC
 - Saturation Level, Edge Enhancement Level, De-noise level Auto adjust

Hardware Specification

AP-VAC80H IP Video Door Phone

RISC
CPU

High-end
DSP

- RF Card Sensor
 - Protocol Supported
 - ISO14443A/B all bit rates
 - > 106,212,424 and 848 kbps
 - Compatible to MiFare Classic
 - ISO15693 all modes
 - > 1.65/6.6 & 26.5 kbps
 - > Uplink 1 & 2 sub-carrier
 - Receiver
 - Rx Sensitivity down to 1mVrms
 - Rx Automatic Gain Control
 - Accept external baseband signal from external circuitry for frame level processing
 - Integrated signal strength indicator (SSI)
 - On-Chip Framing handler for supported standard
 - Transmitter
 - Typical proximity operating distance up to 100mm.
 - Software configurable modulation index
 - Maximum driving current up to 200 mA/PIN @ 5V
 - Accept external baseband signal for RF modulation
 - Wide Transmitter driver supply range from 2.7~7.0V

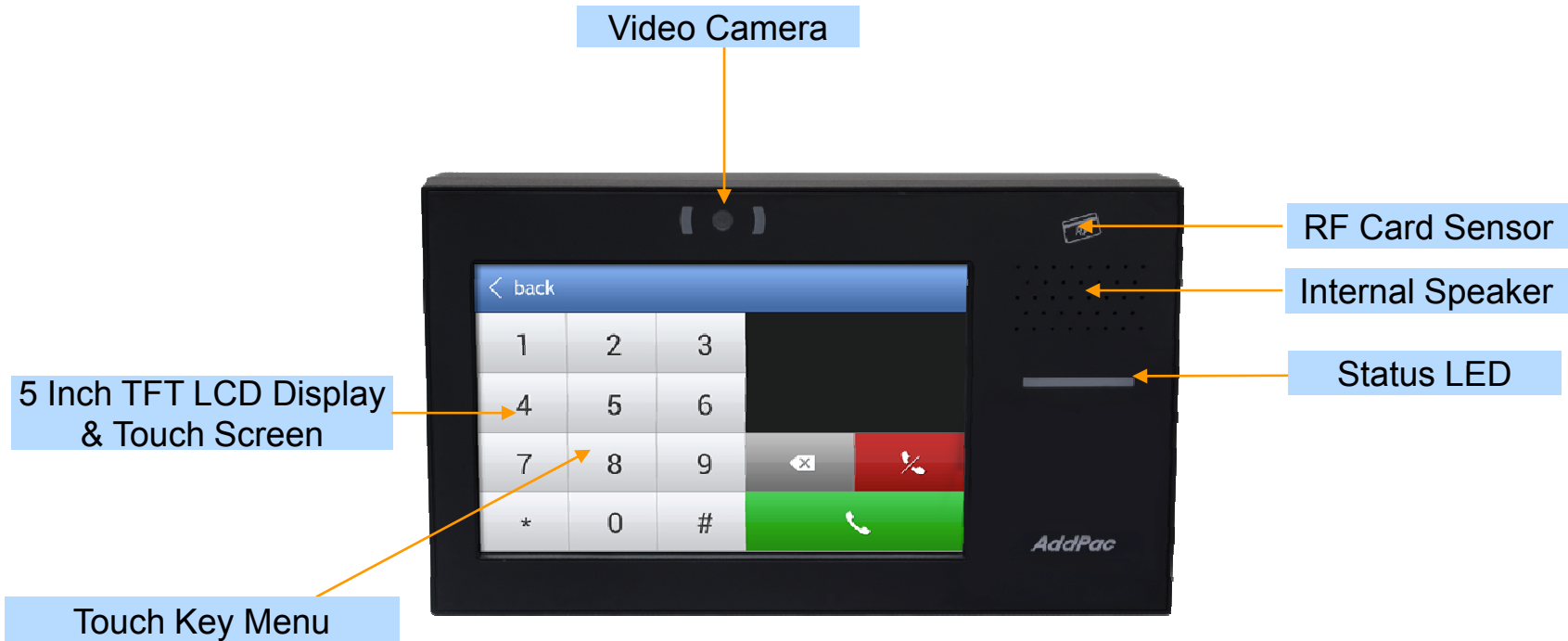
Hardware Specification

AP-VAC80H IP Video Door Phone

RISC
CPU

High-end
DSP

Front Side



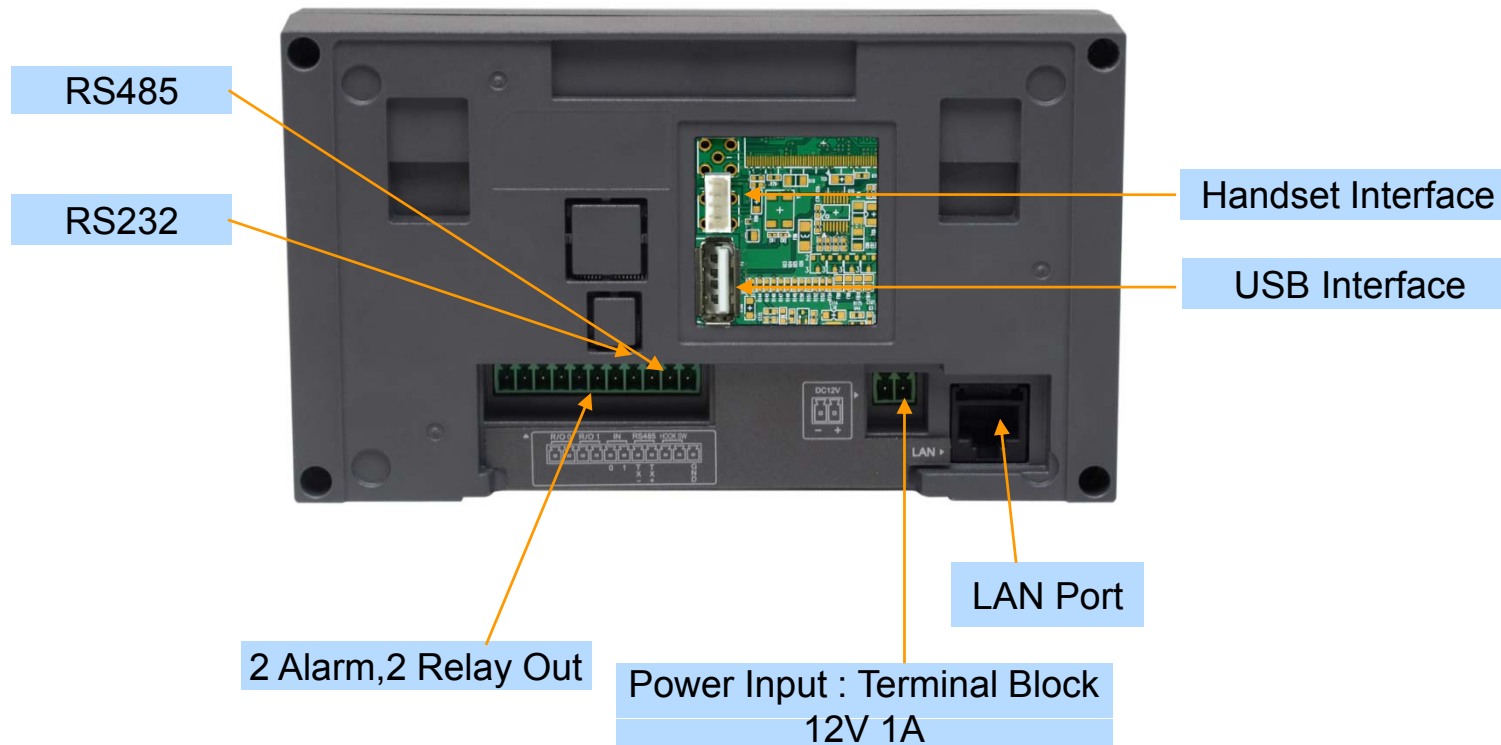
Hardware Specification

AP-VAC80H IP Video Door Phone

RISC
CPU

High-end
DSP

Back Side



Hardware Specification

AP-VAC80H IP Video Door Phone

RISC
CPU

High-end
DSP

Power Supply

Terminal Block



12V 1A Power Adaptor

Example





Smart Web Manager

for Handset IP Video Door Phone

Smart Web Manager

- Main Screen
- System
 - Language
 - LAN Setup
 - DACS
 - Display
 - File Browser
- SIP Call & Media
 - SIP (Session Initiation Protocol)
 - Speed Dial
 - Media
- Miscellaneous
 - Door Control and Test
 - Network Test

Smart Web Manager : Main Screen

The screenshot displays the Smart Web Manager interface. At the top left, the logo 'Smart Web Manager' and the URL 'www.addpac.com' are visible. The top right corner contains four icons: a gear for 'Initialization', a power button for 'Rebooting', a floppy disk for 'Save', and a terminal icon for 'Telnet'. The main content area is divided into three sections:

- Menu Tree (Left):** A sidebar with three expandable sections: 'System' (Language, LAN Setup, DACS, Display Manager, File Browser), 'Call & Media' (Server SIP, Speed Dial, Media), and 'Miscellaneous' (Ping, Door Open).
- Configure Language (Center):** A configuration page with two radio buttons: '한국어' (unselected) and 'English' (selected). Below the buttons is an 'Apply' button with a green checkmark icon.
- System Information and Help Message (Right):** A panel with two sections: 'Information' showing 'AddPac Technology', 'Model : VAC50_G2', 'DACS : (0)', 'DACS Registration : Fail', and 'SIP : 172.17.250.250(5060)'; and 'Description' with the text 'Choose the basic language to be applied. English is set at default.'

Menu Tree

Output Screen after
Menu Select

System Information and
Help Message

Smart Web Manager : SIP configuration

SIP (Session Initiation Protocol)

SIP server check if exist.

SIP Basic Information Display

Telephone Line Number and Password Configuration
Same Information is used when DACS is connected

Use SIP Server

Yes No

Primary SIP Server

172.17.250.250 5060 Server address and Port (default 5060)

Secondary SIP Server

5060 Server address and Port (default 5060)

Local Domain Name

(SIP userpart of authentication)

SIP Signaling Port

5060 (default 5060, between 1 to 65535)

Register Expiration

60 (in seconds, default 60, between 10 to 86400)

Session Re-Fresh

INVITE UPDATE

Session Expire Time

1800 (in seconds, default 1800, between 30 to 86400, 0 = disable)

Min-SE

1800 (in seconds, default 1800, between 30 to 86400)



Extension

1020 Extension Number, Password



Door Access Control Server

Door Access Control Server Comparison Table

Model		AP-ACS1500	AP-ACS1000
Service Features			
Registration User Number		200	100
Concurrent Call User Number		60	30
VoIP Signaling	Internal	SIP	SIP
	External	H.323/SIP	H.323/SIP
Powerful IVR, UMS, Media Service, User Presence Service		Support	Support
RTP Proxy Service (IPv6, Private IP)		Support	Support
Dual System Architecture for Redundancy		Support	Single System
Dual Power Supply		Support	Single Power
LAN Port		2	2
VoIP Module Slots for PSTN		N/A	2 Slots (8 Port Module)
VoIP Interface		N/A	FXS,FXO,E1/T1
Video Door Phone Control (RF card, etc)		Support	Support
Time & Attendance Management		Support(option)	Support(option)



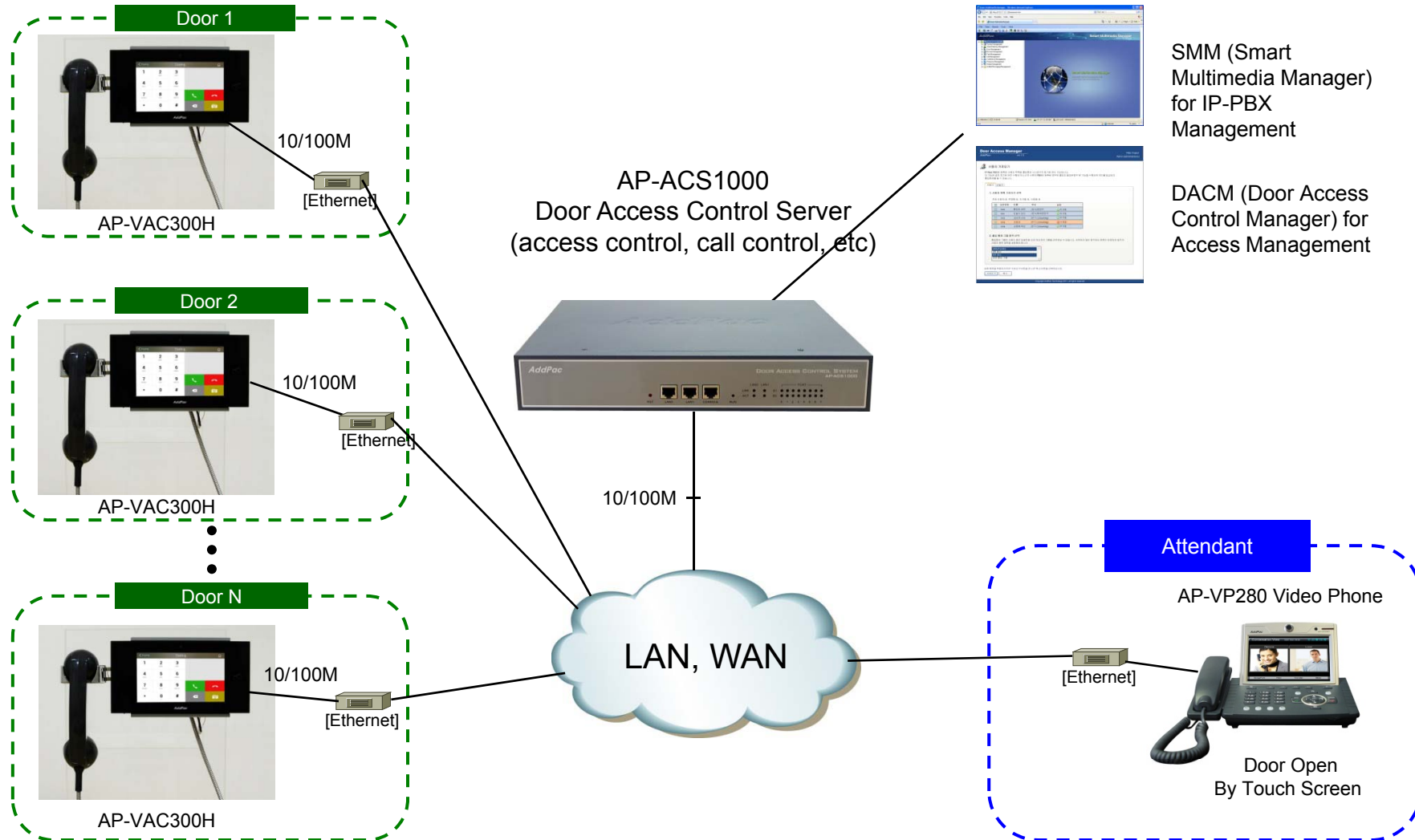
AP-ACS1000 Door Access Control Server

Contents

- DACS(Door Access Control Server) Network Diagram
- AP-ACS1000 DACS Main Features
- AP-ACS1000 DACS Hardware Specification
- DACS System Message Flow (Examples)
- DACM (Door Access Control Manager)
- Open API for Third Party Controller

Integrated Door Access Control and Call Control

AP-ACS1000 DACS (Door Access Control Server)



Main Features

AP-ACS1000 DACS (Door Access Control Server)

- Door Access Control Application System
- SIP Application Server, Proxy, Registrar and Location Server
- Multiple ITSP Trunk with SIP & H.323 Accounts Support
- Legacy PBX Interworking Service
- High Performance RISC & Programmable DSP Architecture
- Two(2) 10/100Mbps Fast Ethernet (IP Share ,etc)
- High Performance LAN-to-LAN Routing Capability
- Powerful Network Protocols (PPPoE, DHCP, Static Routing, etc)
- IPv4/IPv6 Dual Stack
- Firmware Upgradeable Architecture
- Smart Multimedia Manager for IP-PBX Management
- DACM(Door Access Control Manager)
- Advanced Voice QoS Mechanism
- Small, Light and Compact Design
- Two(2) VoIP Module Slots for Analog, Digital Interface

Hardware Specification

AP-ACS1000 DACS (Door Access Control Server)

- RISC Microprocessor Computing Power
- Main Chassis
 - Network Interface
 - Two(2) 10/100Mbps Fast Ethernet
 - One(1) RS-232C Console (RJ45)
 - Two(2) VoIP Module Slots for FXS, FXO etc



Hardware Specification

AP-ACS1000 DACS (Door Access Control Server)

AP-ACS1000 Front Side



LAN1 (10/100Mbps)

LAN0(10/100Mbps)

Console Port

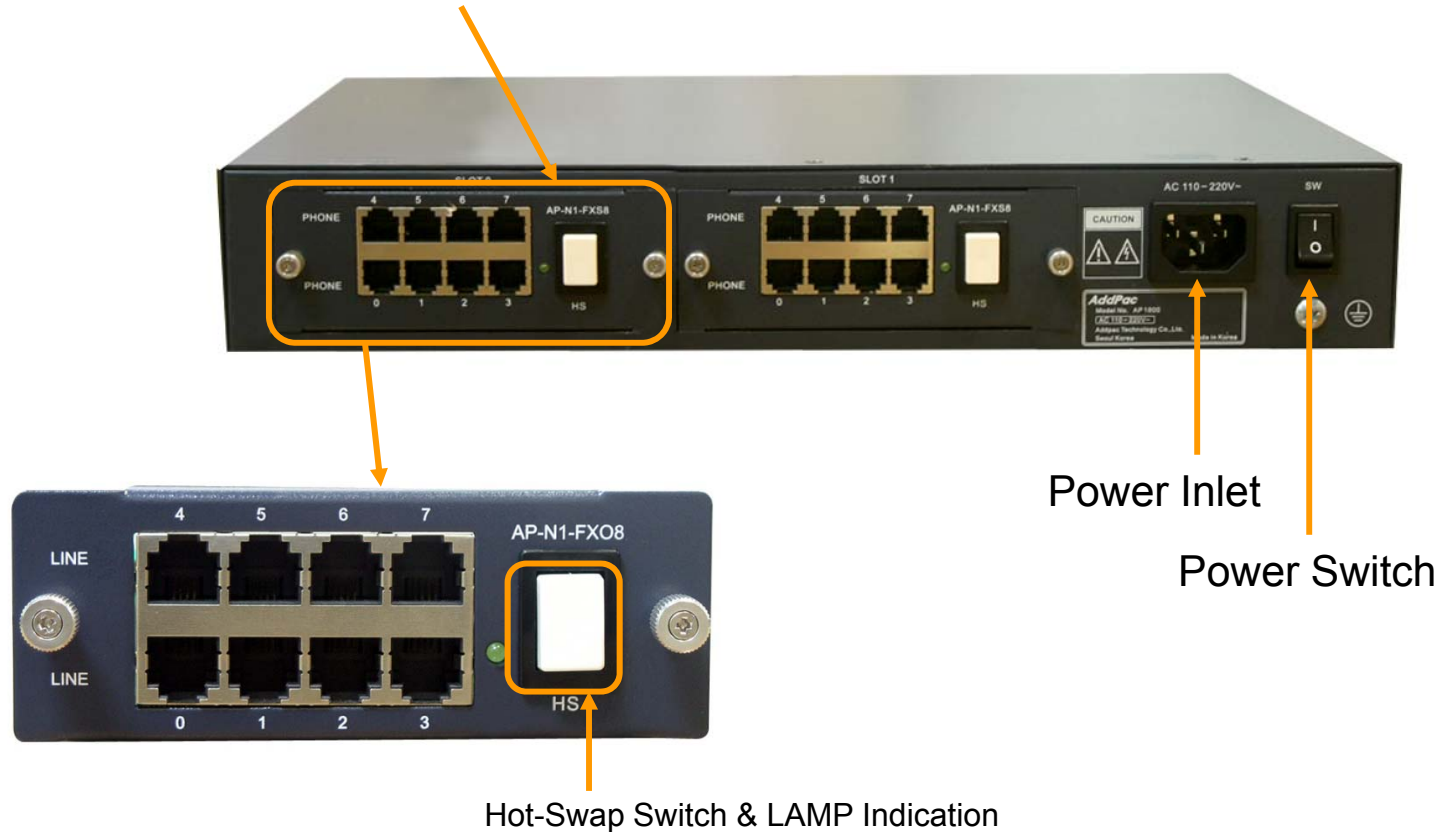
www.addpac.com

Hardware Specification

AP-ACS1000 DACS (Door Access Control Server)

AP-ACS1000 Back Side





PSTN Interface Module



Hardware Specification

AP-ACS1000 DACS (Door Access Control Server)

PSTN Interface Module

AP-N1-FXS8	 A black 8-port FXS voice processing module with RJ11 ports labeled 0-7 and a central switch labeled AP-N1-FXS8.	8-Port FXS Voice Processing Module (8 x RJ11)
AP-N1-FXO8	 A black 8-port FXO voice processing module with RJ11 ports labeled 0-7 and a central switch labeled AP-N1-FXO8.	8-Port FXO Voice Processing Module (8 x RJ11)
AP-N1-FXO4S4	 A black 8-port voice processing module with RJ11 ports labeled 0-7 and a central switch labeled AP-N1-FXO8.	4-Port FXO and 4-Port FXS Voice Processing Module (8 x RJ11)
AP-N1-E1T1	 A black 1-port VoIP digital E1/T1 interface module with an RJ45 port and a central switch labeled AP-N1-E1T1.	1-Port VoIP Digital E1/T1 Interface Module(1xRJ45)



AP-ACS1500 Door Access Control Server

Main Features

AP-ACS1500 DACS (Door Access Control System)

- Door Access Control Application System + Call Manager
- SIP Application Server, Proxy, Registrar and Location Server
- Multiple ITSP Trunk with SIP & H.323 Accounts Support
- High Performance RISC Architecture
- Smart Multimedia Manager for Call Manager
- DACM(Door Access Control Manager) for IP Door Phone Control (RF Card, Fingerprint Module, etc)
- IPv4/IPv6 based Dual Network Protocol Support
- Fault Tolerant and Scalability Architecture
- Firmware Upgradeable Architecture
- Dual System Redundancy Architecture
 - Two(2) Fast Ethernet Interface / System
- Dual Redundancy Power

Hardware Features

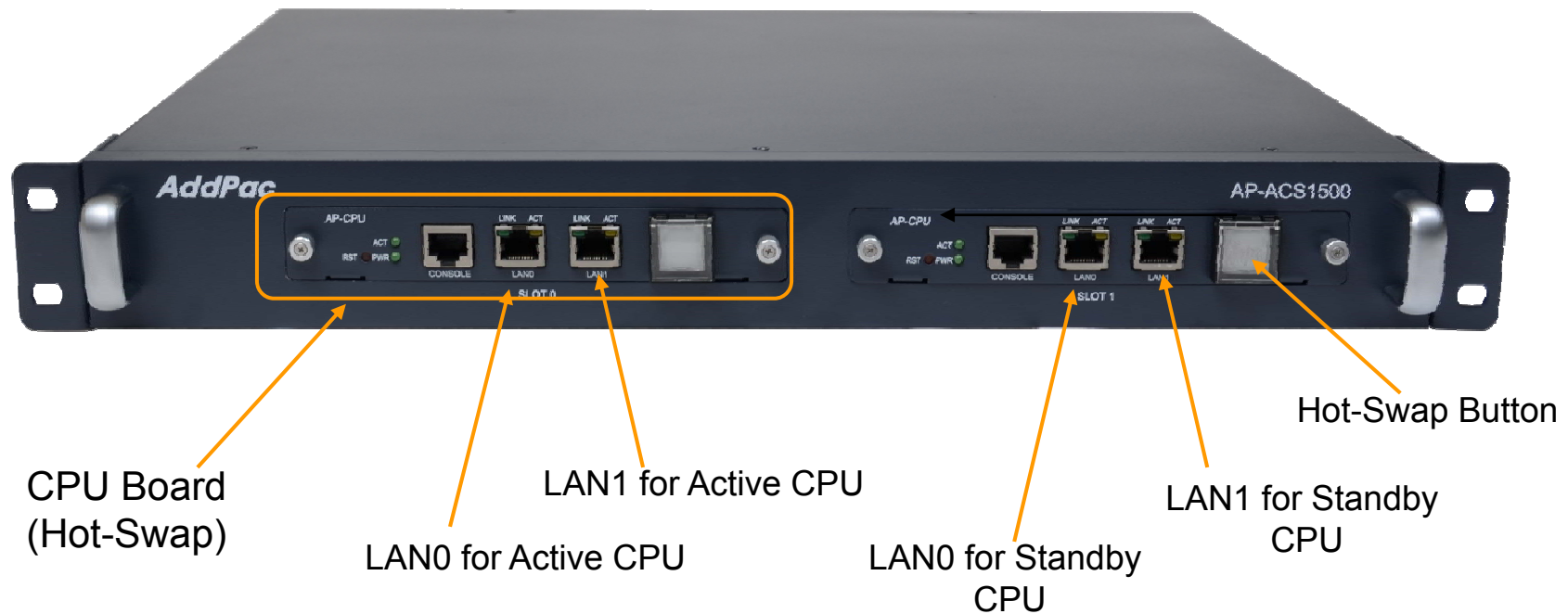
AP-ACS1500 DACS (Door Access Control System)

- High-End Microprocessor Computing Power
- Main Chassis
 - Dual Redundancy CPU Boards for System Fault Tolerant
 - Two(2) 10/100Mbps Fast Ethernet
 - One(1) RS-232C Console (RJ45)
 - Dual Redundancy Power Supply
 - Hot-Swap Features

Hardware Specification

AP-ACS1500 DACS (Door Access Control System)

AP-ACS1500 Front Side



Hardware Specification

AP-ACS1500 DACS (Door Access Control System)

AP-ACS1500 Back Side



Plug for PSU B

Plug for PSU A

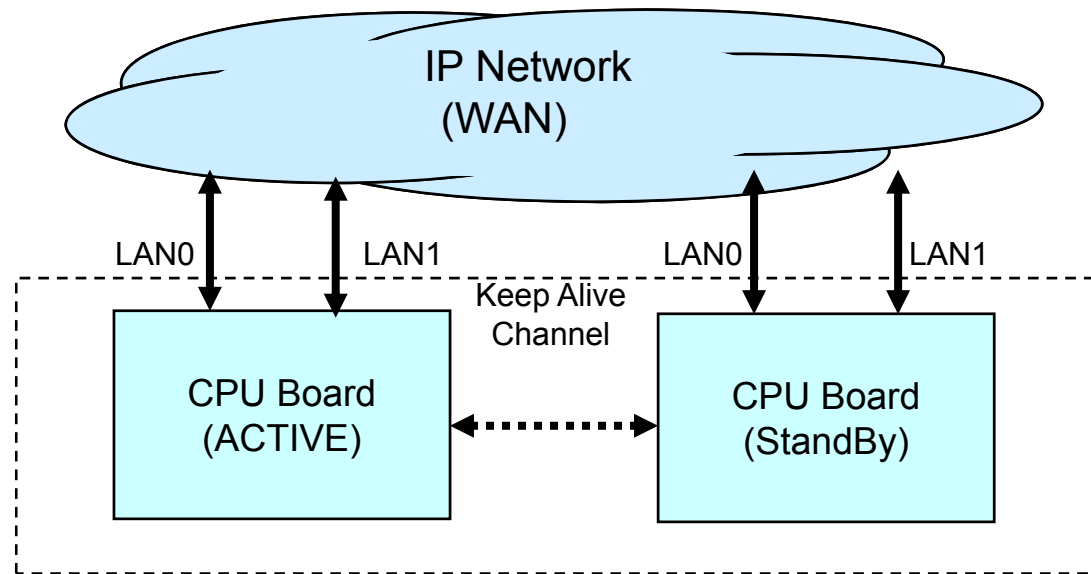


Access Control Server Redundancy Scheme

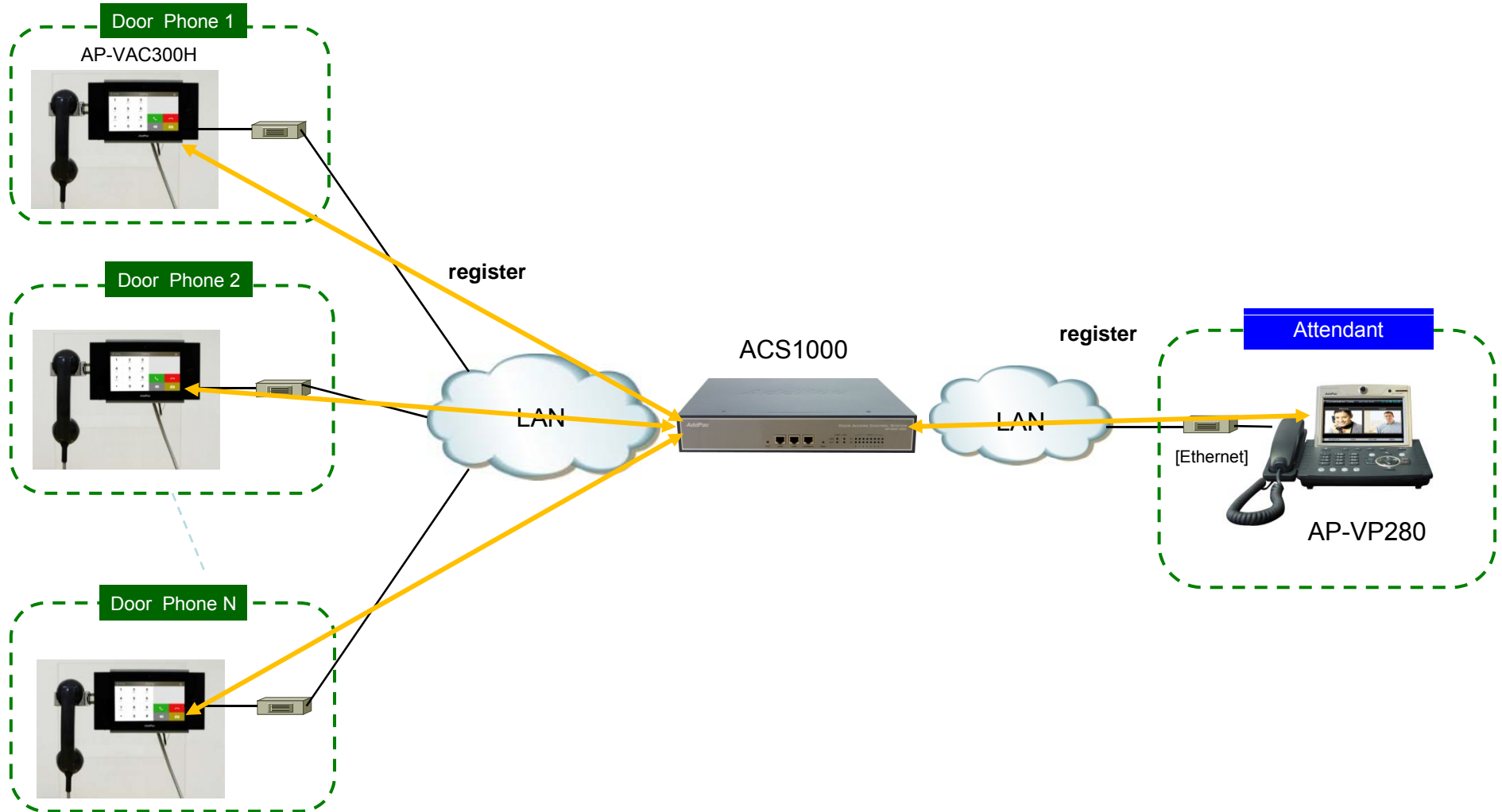
System Redundancy Features

AP-ACS1500 DACS (Door Access Control System)

System Block Diagram

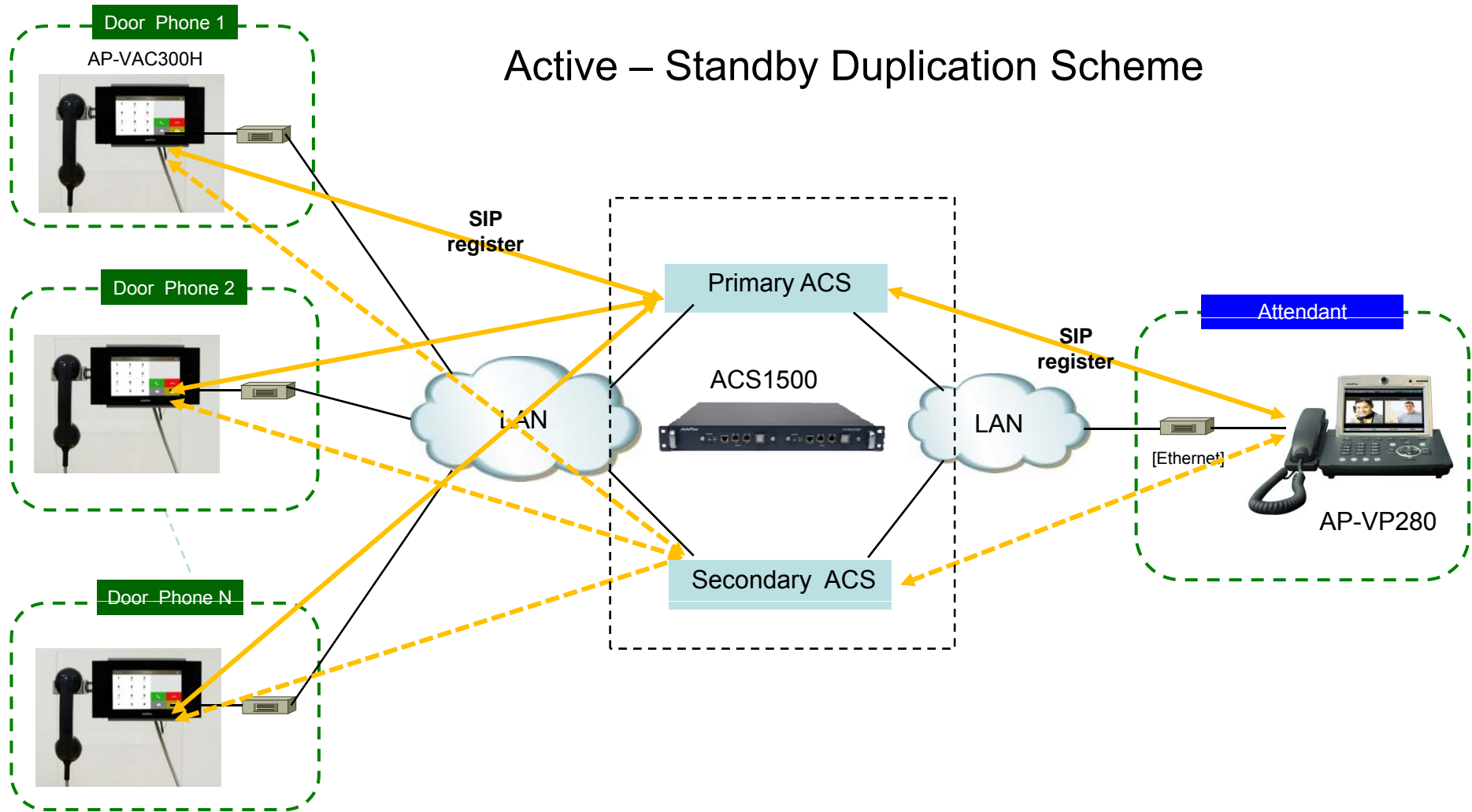


ACS Network Diagram



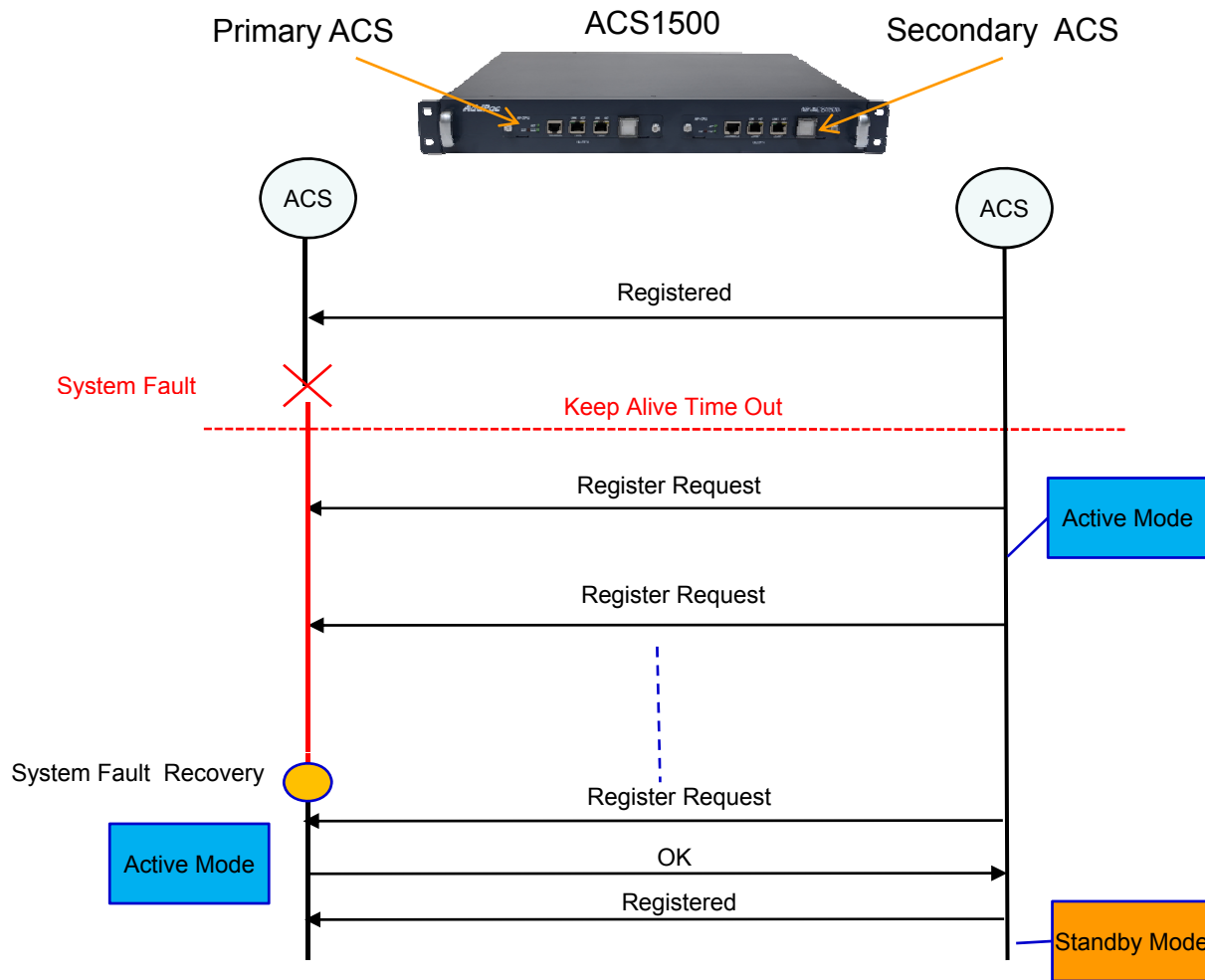
ACS Redundancy Scheme Network Diagram

- Call Manager Function



ACS Redundancy Scheme Network Diagram

- Door Access Control Function

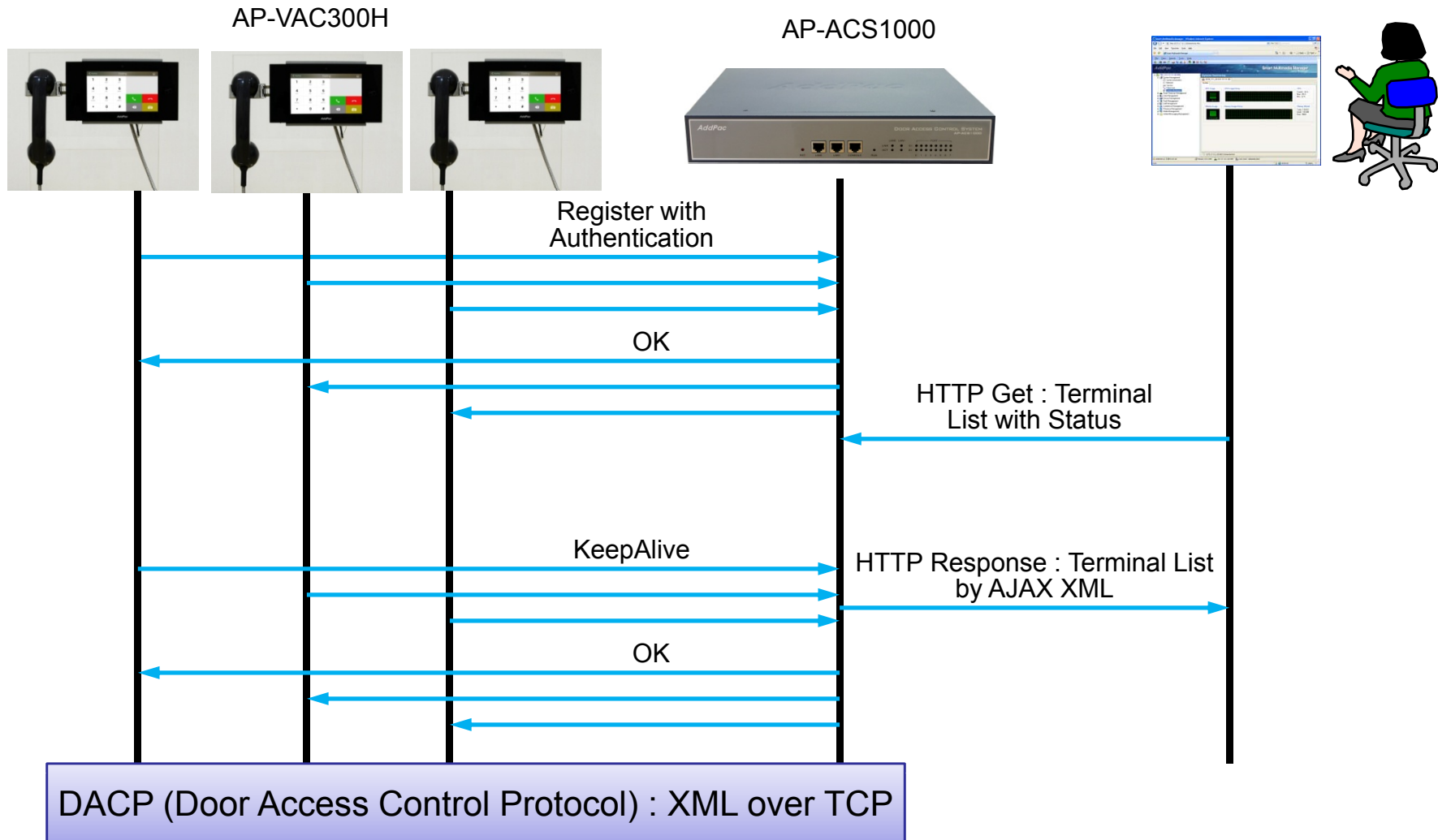




DACS System Message Flow

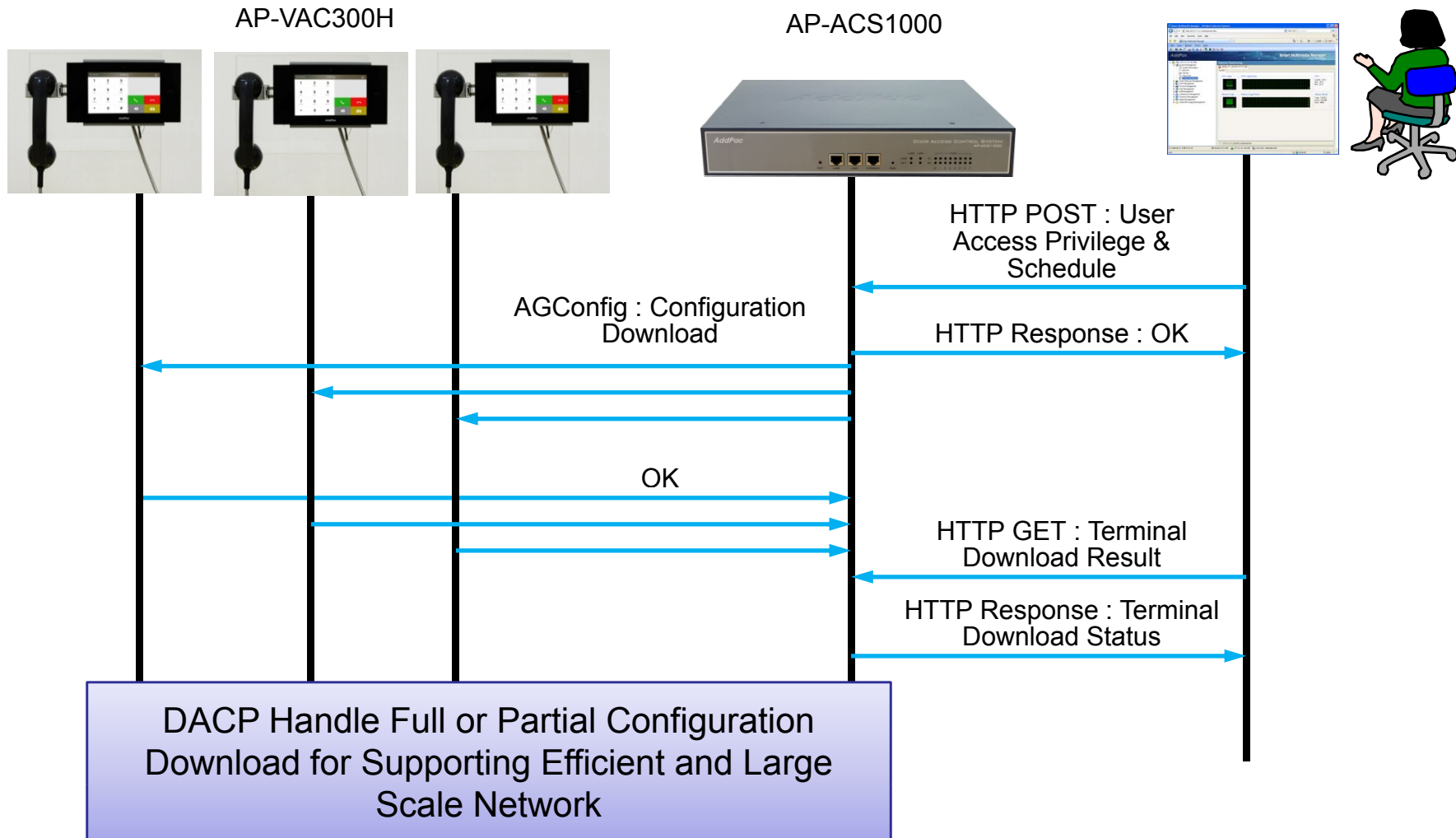
DACS System Message Flow

Registration and KeepAlive



DACS System Message Flow

Access Privilege and Schedule Download



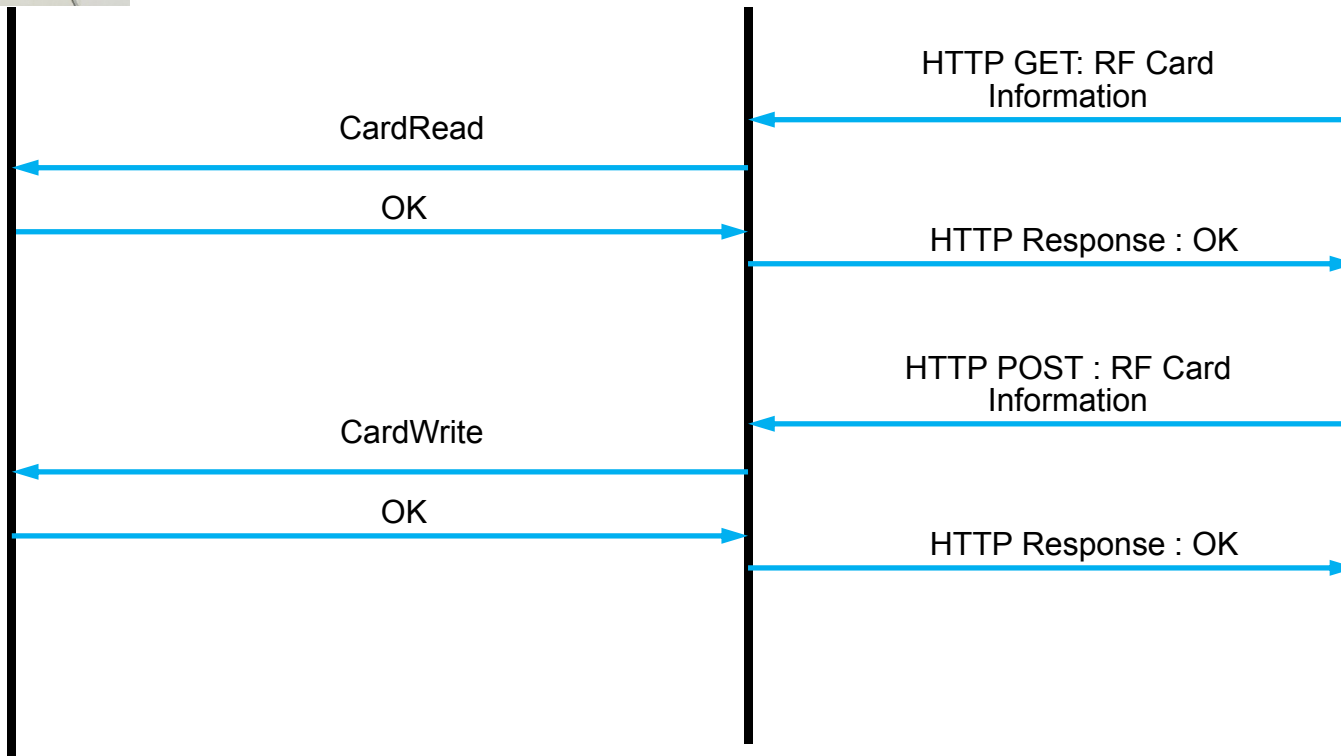
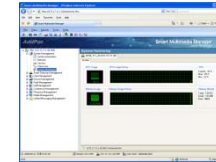
DACS System Message Flow

RF Card Read/Write and Registration

AP-VAC300H

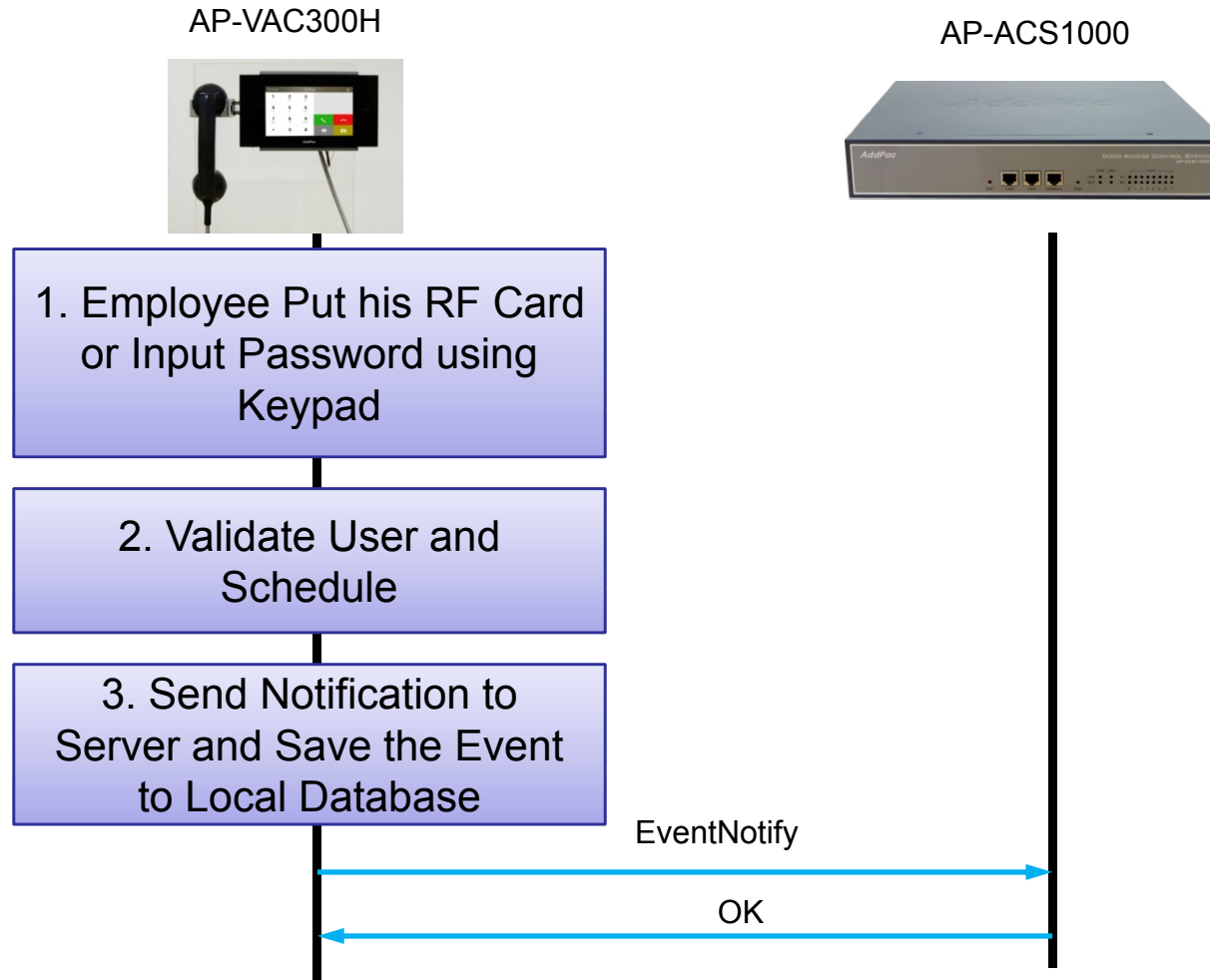


AP-ACS1000



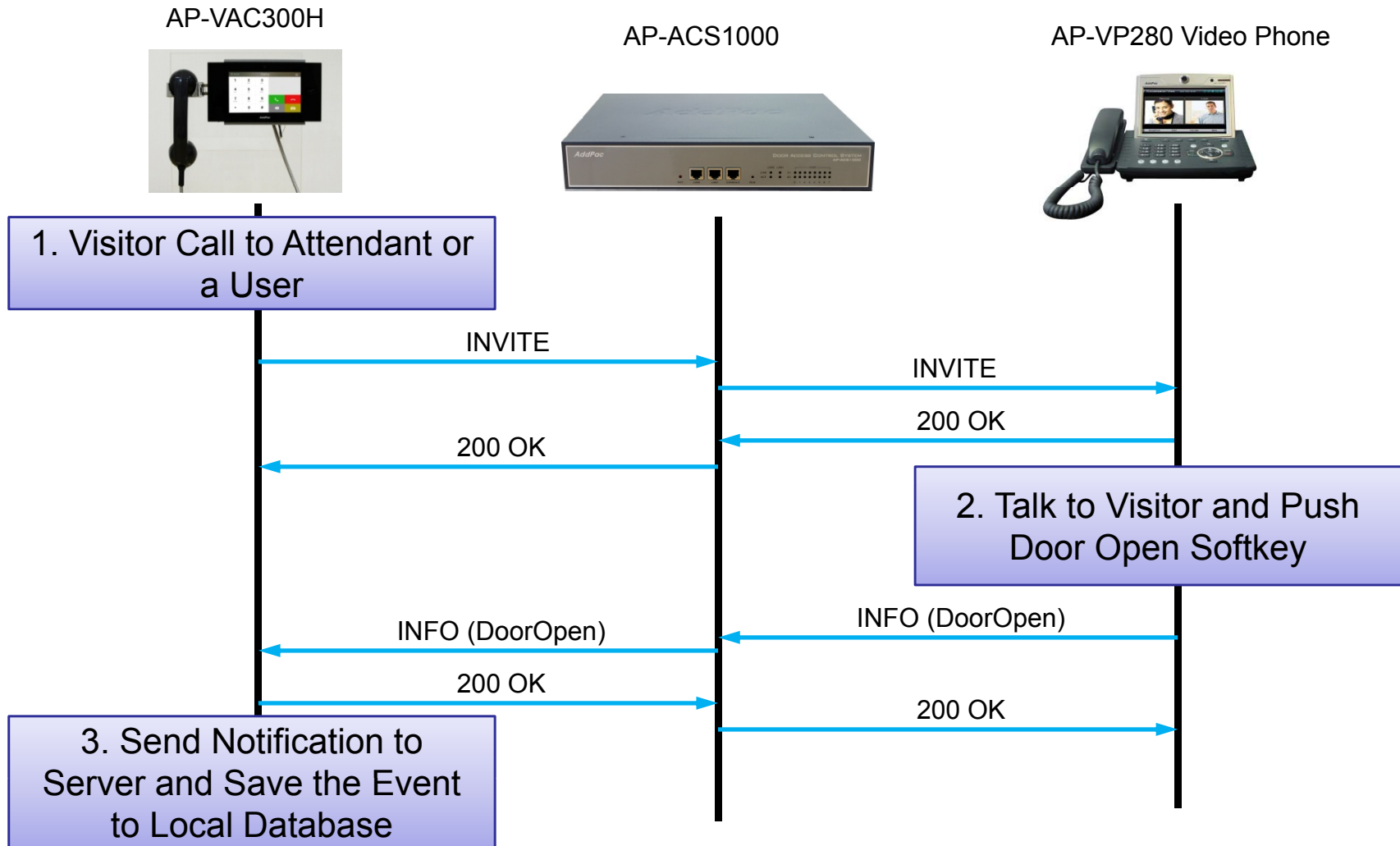
DACS System Message Flow

Door Open by RF Card or Password



DACS System Message Flow

Door Open by Other Terminal





Door Access Control Manager for AP-ACS1000

DACM (Door Access Control Manager)

Main Web Page

Door Access Control Manager
AddPac ver 1.0

Help | logout
Admin (administrators)

사용자 및 단말 관리 | 카드 관리 | 출입 통제 관리 | 로그 및 보고서

설정이 변경되었습니다.
설정을 반영하시려면 '여기'를 클릭하여 단말기 전송을 하십시오

화면이 갱신될 때마다 데이터 변경 여부를 판단하여 상단에 표시한다.
'여기'를 선택하여 단말기 전송 화면 실행

AddPac Technology의 출입 통제 관리 시스템에 오신것을 환영합니다.

본 시스템은 AddPac IP-Next 시스템과 연계되어 출입은 접근에 대한 사용자 및 출입 통제에 관련된 설정을 관리합니다.
아래 각 메뉴를 통해서 해당 기능을 수행할 수 있으며 상세한 설정은 왼쪽의 각 카테고리 메뉴 별로 접근할 수 있습니다.

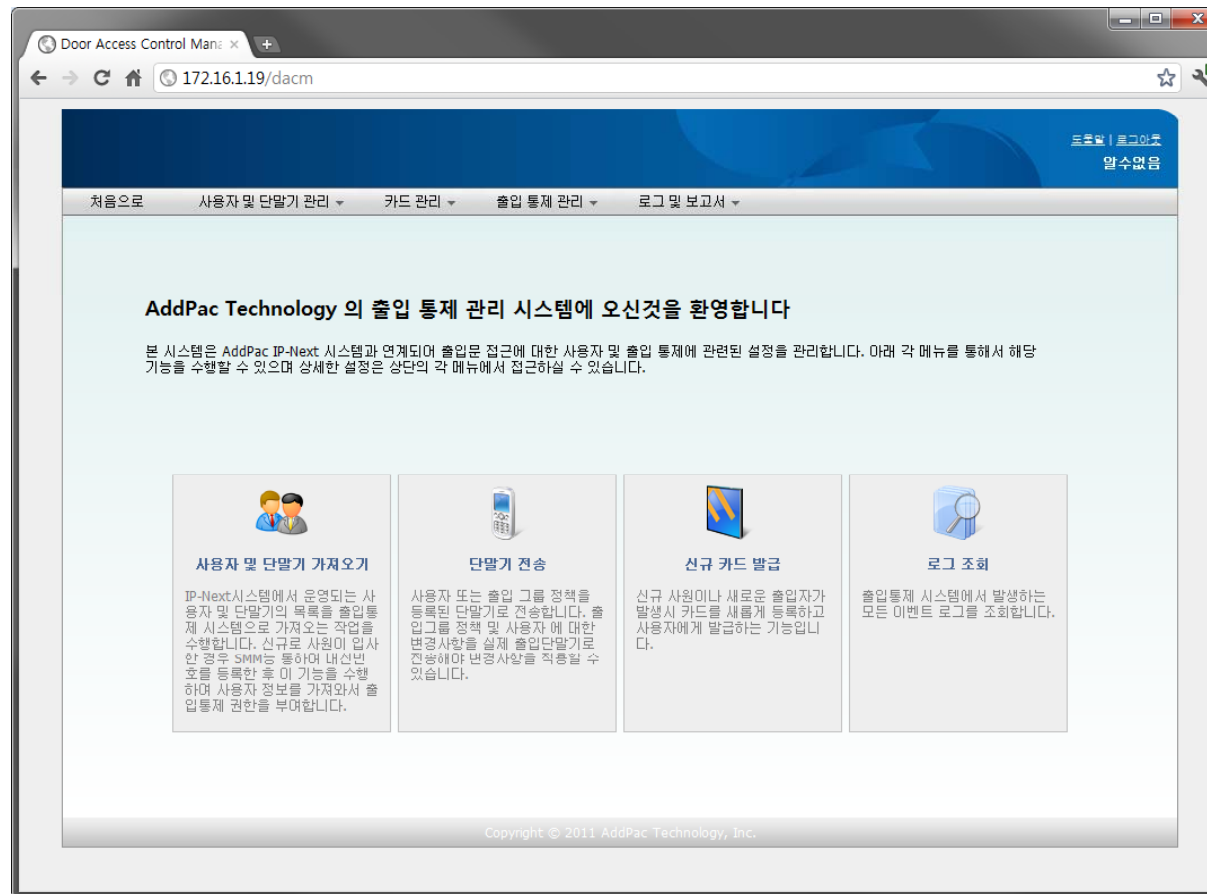
사용자 가져오기 | 단말기 전송 | 신규 카드 발급 | 로그 조회

메뉴를 선택하여 전송 화면 실행

Copyright AddPac Technology 2011, all rights reserved

DACM (Door Access Control Manager)

Main Web Page



DACM (Door Access Control Manager)

User Management

Door Access Manager
AddPac ver 1.0 Help | logout
Admin (administrators)

 사용자 가져오기

IP-Next PBX에 등록된 사용자 목록을 출입통제 시스템으로 동기화 하는 기능입니다.
이 기능은 설치 초기에 한번 수행하거나 신규 사원이 PBX에 등록된 경우에 출입이 필요한경우 본 기능을 수행하여 카드를 발급하고 출입통제를 할 수 있습니다.

사용자

1. 사용자 목록 가져오기 선택

전체 사용자: 0, 변경됨: 0, 추가됨: 0, 삭제됨: 0

<input checked="" type="checkbox"/>	내선번호	이름	부서	상태
<input checked="" type="checkbox"/>	1000	홍길동 과장	/본사/영업부	➕ 추가됨
<input checked="" type="checkbox"/>	1001	김철수 대리	/본사/해외영업부	➕ 추가됨
<input checked="" type="checkbox"/>	1002	최진석 선임	/연구소/SmartMgt	➕ 추가됨
<input checked="" type="checkbox"/>	1003	권효준	/연구소/SmartMgt	➖ 삭제됨
<input checked="" type="checkbox"/>	1004	권중휘 책임	/연구소/SmartMgt	➕ 추가됨

2. 출입 통제 그룹 정책 선택

출입통제 그룹은 사용자 별로 일괄 적용되며 여러개의 그룹을 선택하실 수 있습니다. 선택하지 않은 경우에는 정책이 반영되지 않으며 사용자 별로 정책을 설정해야 합니다.

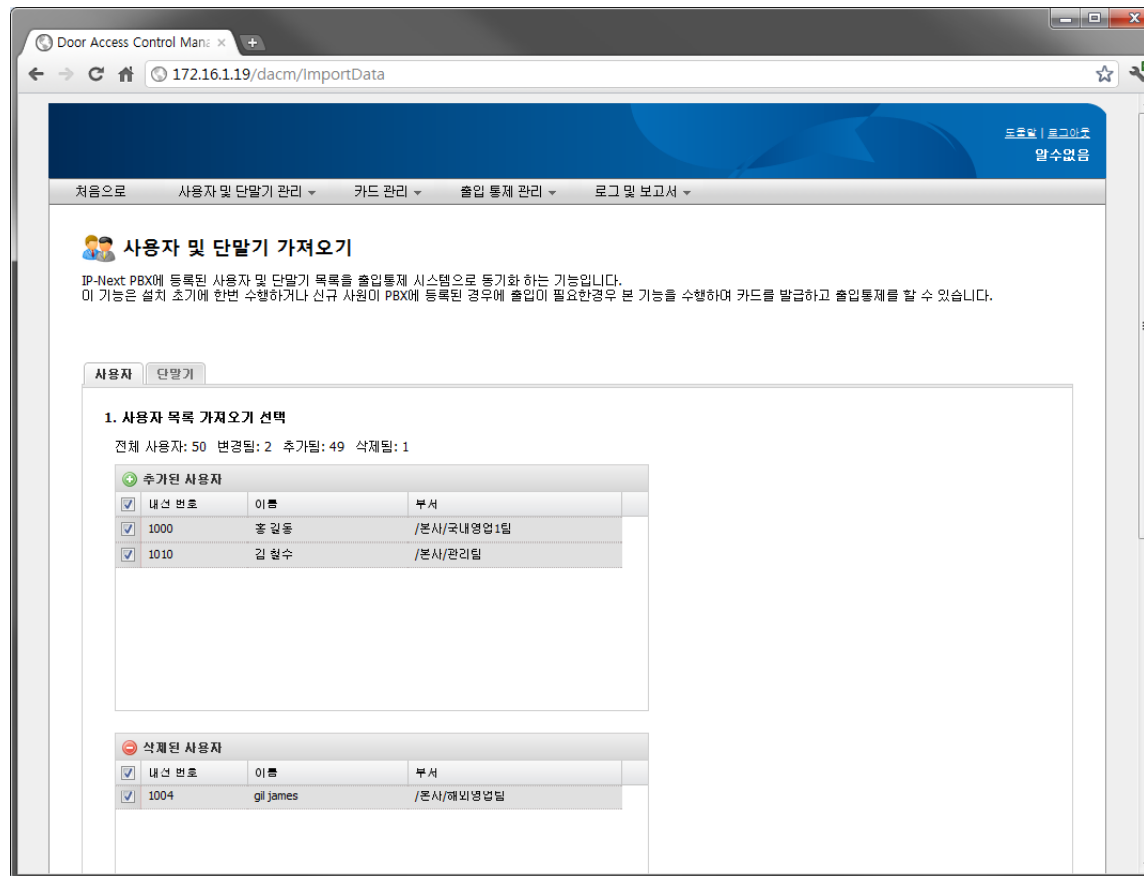
default policy
2층 출입
5층 출입
방장 출입 그룹

설정 항목을 적용하시려면 '가져오기'버튼을 아니면 '취소'버튼을 선택하십시오.

Copyright AddPac Technology 2011, all rights reserved

DACM (Door Access Control Manager)

User Management



DACM (Door Access Control Manager)

Access Group Management

Door Access Control Man: x

172.16.1.19/dacm/accessGroupList

드문발 | 로그인
알수없음

처음으로 사용자 및 단말기 관리 카드 관리 출입 통제 관리 로그 및 보고서

출입 통제 그룹

등록된 출입단말기에 대해서 출입 권한 리스트 조회하거나 신규로 등록 및 수정할 수 있습니다.
출입 통제 그룹은 위/아래 화살표를 이용하여 우선순위를 조정할 수 있습니다.

출입 통제 그룹 등록

그룹 이름	설명	스케줄 정책	생성 날짜	수정	삭제
no restriction	출입제한 없음	N/A	2011-06-27 12:23:12		
3F_only	3층만 출입	N/A	2011-06-27 12:23:12		
research_only	연구수 출입 정보	working_day	2011-06-27 12:23:12		
5Floor	5층연구소	working_day	2011-06-27 12:23:12		
관리사무소	관리사무소 출입 정보	working_day	2011-06-27 12:23:12		

페이지 1 / 1

Displaying 1 - 5 of 5

DACM (Door Access Control Manager)

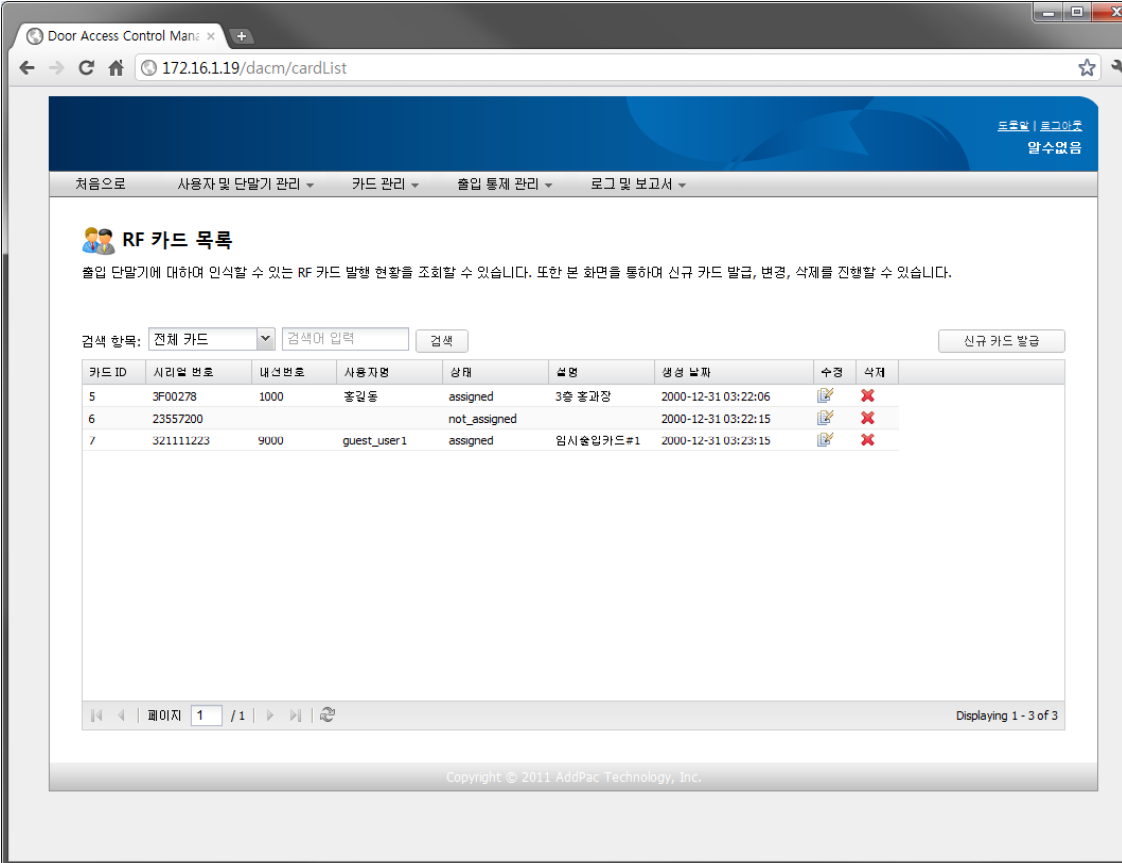
Configuration Download to Terminal

The screenshot shows the 'Door Access Control Manager' web interface. The header includes the title 'Door Access Control Manager', the version 'AddPac ver 1.0', a warning message '설정이 변경되었습니다. 설정을 반영하시려면 '여기'를 클릭하여 단말기 동기화를 하십시오', and a 'Help | logout Admin (administrators)' link. The main navigation bar contains '사용자 및 단말 관리', '카드 관리', '출입 통제 관리', and '로그 및 보고서'. The current page is titled '단말기 전송' (Terminal Transfer) and contains the following text: '사용자 또는 출입 그룹 정책을 해당 단말기로 전송합니다. 전체 단말기 또는 선택된 단말기로 전송할 수 있습니다.' Below this is a table with columns for '장비명', 'IP 주소', '접속 상태', '변경 여부', and '전체 동기화'. The table lists four devices: '3F door phone', 'lobby entrance', '5F door phone', and 'factory main'. A yellow callout box points to the '전체 동기화' column, stating: '동기화가 필요 없는 경우에는 check 가 해지된다. 강제로 하고자 하는 경우 check하면 된다.' At the bottom of the page, there are '전송' and '취소' buttons and a footer with 'Copyright AddPac Technology 2011. all rights reserved.'

장비명	IP 주소	접속 상태	변경 여부	전체 동기화
<input type="checkbox"/> 3F door phone	172.16.10.5	접속됨	변경사항 없음	<input type="checkbox"/>
<input checked="" type="checkbox"/> lobby entrance	172.16.5.20	접속끊김	변경됨	<input checked="" type="checkbox"/>
<input checked="" type="checkbox"/> 5F door phone	172.16.10.6	접속됨	변경됨	<input checked="" type="checkbox"/>
<input checked="" type="checkbox"/> factory main	172.16.10.8	접속됨	변경사항 없음	<input checked="" type="checkbox"/> 전체 반영 필요

DACM (Door Access Control Manager)

RF Card Management



Door Access Control Manager

172.16.1.19/dacm/cardList

로그아웃 | 로그인
알수없음

처음으로 사용자 및 단말기 관리 카드 관리 출입 통제 관리 로그 및 보고서

RF 카드 목록

출입 단말기에 대하여 인식할 수 있는 RF 카드 발행 현황을 조회할 수 있습니다. 또한 본 화면을 통하여 신규 카드 발급, 변경, 삭제를 진행할 수 있습니다.

검색 항목: 전체 카드 검색어 입력 검색 신규 카드 발급

카드 ID	시리얼 번호	내선번호	사용자명	상태	설명	생성 날짜	수정	삭제
5	3F00278	1000	종업원	assigned	3층 종과장	2000-12-31 03:22:06		
6	23557200			not_assigned		2000-12-31 03:22:15		
7	321111223	9000	guest_user1	assigned	임시출입카드#1	2000-12-31 03:23:15		

페이지 1 / 1

Displaying 1 - 3 of 3

Copyright © 2011 AddPac Technology, Inc.

DACM (Door Access Control Manager)

Access Log Management

Door Access Control Manager

172.16.1.19/dacm/eventLog

도호환 | 로그인 | 로그아웃 | 알 수 없음

처음으로 사용자 및 단말기 관리 카드 관리 출입 통제 관리 로그 및 보고서

이벤트 로그 조회

등록된 출입 단말기의 모든 출입현황을 검색을 통해서 조회 및 출력합니다.

조회 기간: [] ~ []

출입 단말기 이름: []

사용자 내선번호: []

이벤트 등급: []

검색

시간	등급	단말기 이름	내선번호	이벤트
2001-01-03 14:39:56	경고	3F_floor	1000	authentication success
1973-02-07 08:00:00	경고	3F_floor	1000	system started
2001-01-03 14:46:39	디버그	3F_floor	1010	unknown user accessed

페이지 1 / 1

Displaying 1 - 3 of 3

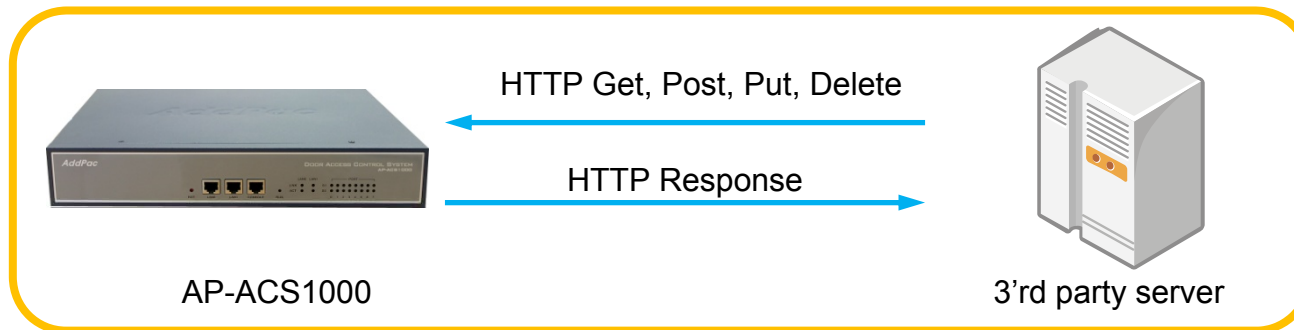
Copyright © 2011 AddPac Technology, Inc.



AP-ACS1000 Open API

Open API

Open API for 3'rd Party Management System



- HTTP based RESTful Open API for Door Access Management
- XML based Flexible and Expandable Message Contents
- Provides More than 40 APIs as Bellow
 - user_list(GET), user(GET, POST, PUT, DELETE), ...
 - terminal_list(GET), terminal(GET, POST, PUT, DELETE), ...
 - access_group(GET, POST, PUT, DELETE), priority (PUT), ...
 - card_list(GET), card(POST, PUT, DELETE), ...
 - schedule_template(GET, POST, PUT, DELETE), rule(GET, POST, PUT, DELETE) ,...



Thank you!

AddPac Technology Co., Ltd.
Sales and Marketing

Phone +82.2.568.3848 (KOREA)

FAX +82.2.568.3847 (KOREA)

E-mail : sales@addpac.com