

AP-VAC70A

HD IP Video Door Phone

High Performance IP Video Door Phone Solution



RTSP based Network
Video Monitoring

AddPac

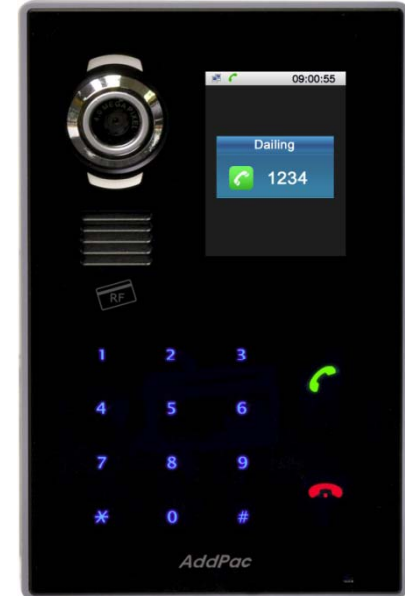
AddPac Technology

Sales and Marketing

www.addpac.com

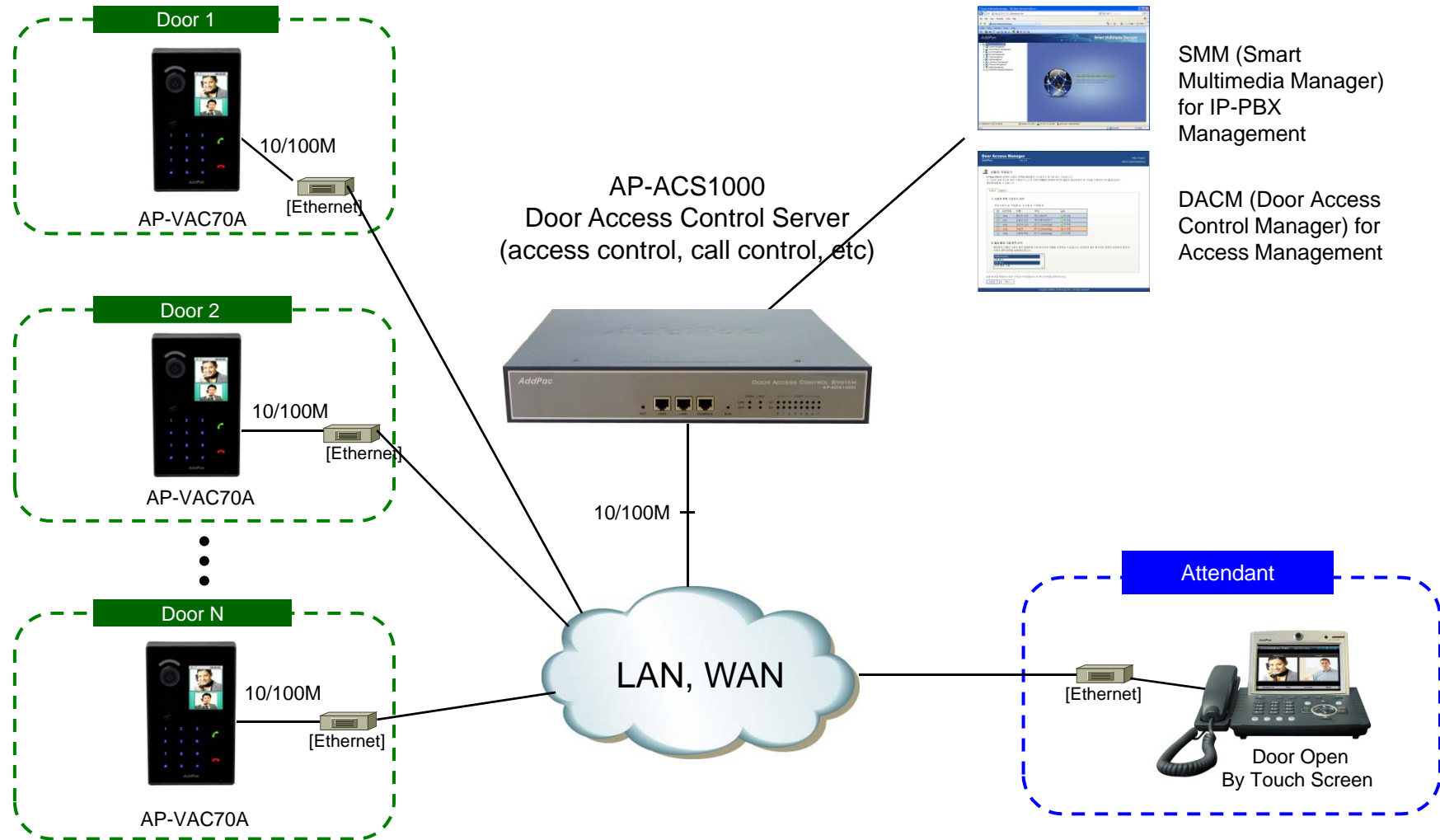
Contents

- Network Service Diagram
- SIP based Audio/Video Service Diagram
 - Door Attendant Service using IP Video Phone
- RTSP based Video Service Diagram
 - RTSP Video Camera Service with Audio Terminal
 - Door Attendant Service using Analog Phone
 - Door Attendant Service using IP Phone
- RTSP based Network Block Diagram
 - AP-VAC50 Internal S/W Block Diagram
 - RTSP,RTP Video Service Block Diagram
 - RTSP Video Service Block Diagram
- AP-VAC50 Product Overview
- AP-VAC50 Hardware Specification



AP-VAC70A Network Service Diagram

: All IP Solution

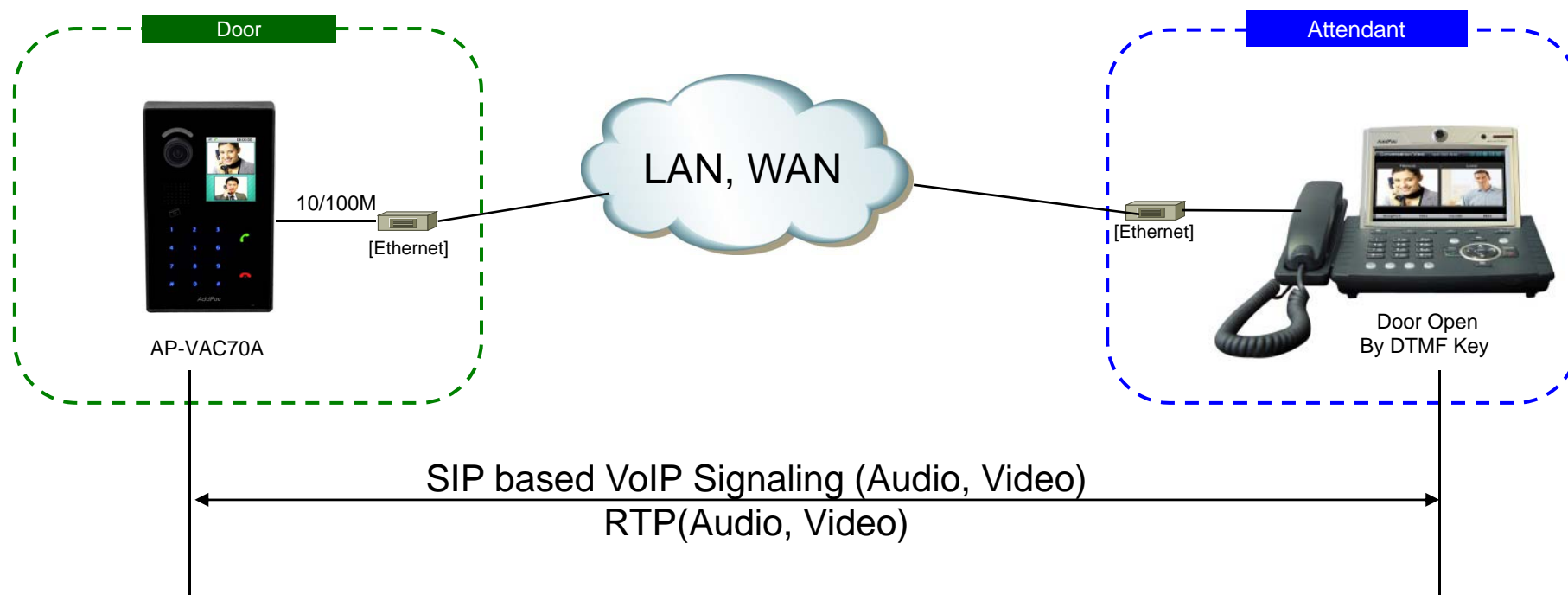




SIP based Audio/Video Service Diagram

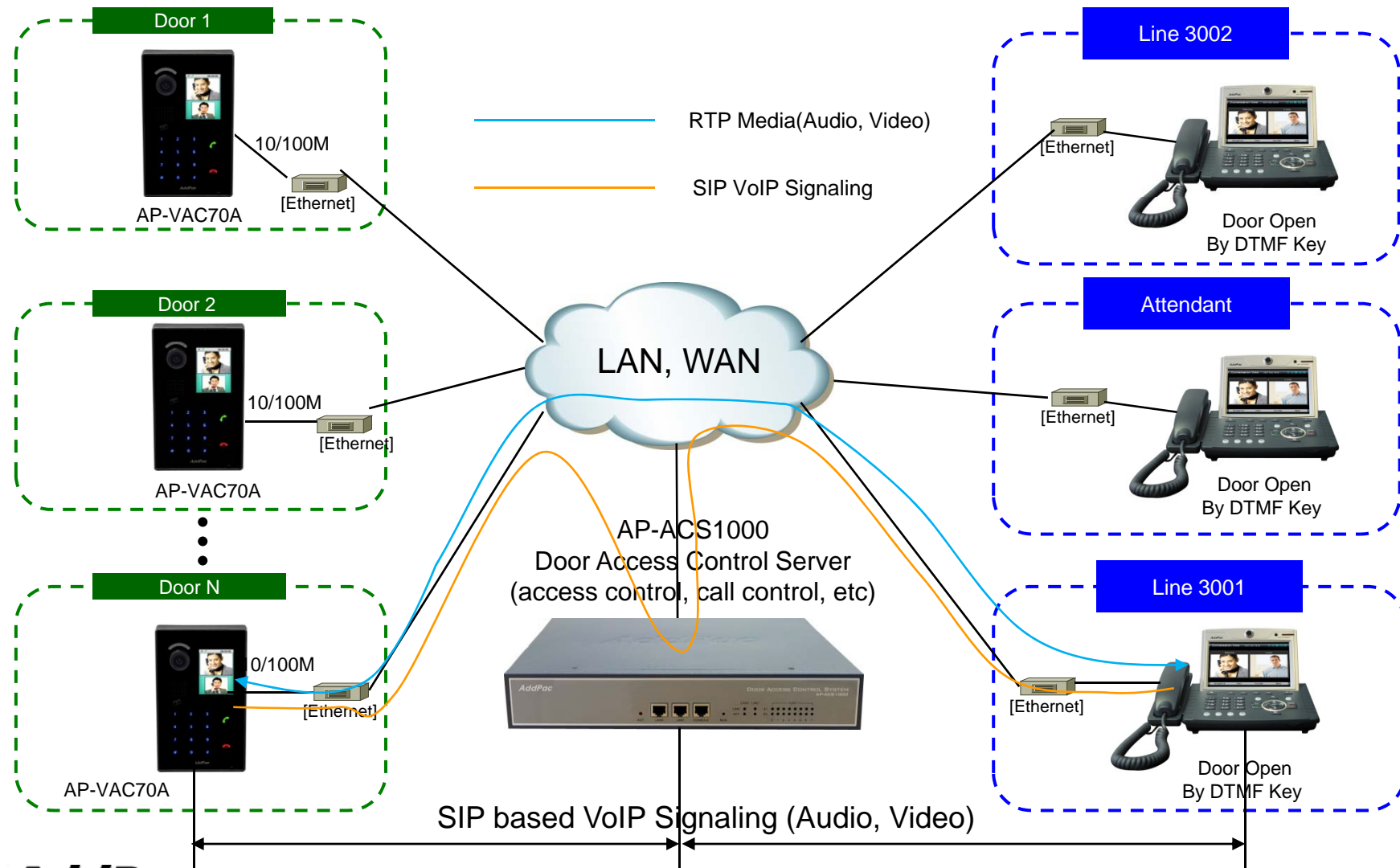
SIP based Video/Audio Service Diagram

: Door Attendant Service using IP Video Phone



SIP based Video/Audio Service Diagram

: Door Attendant Service using IP Video Phone with IP-PBX





RTSP based Video Service Diagram

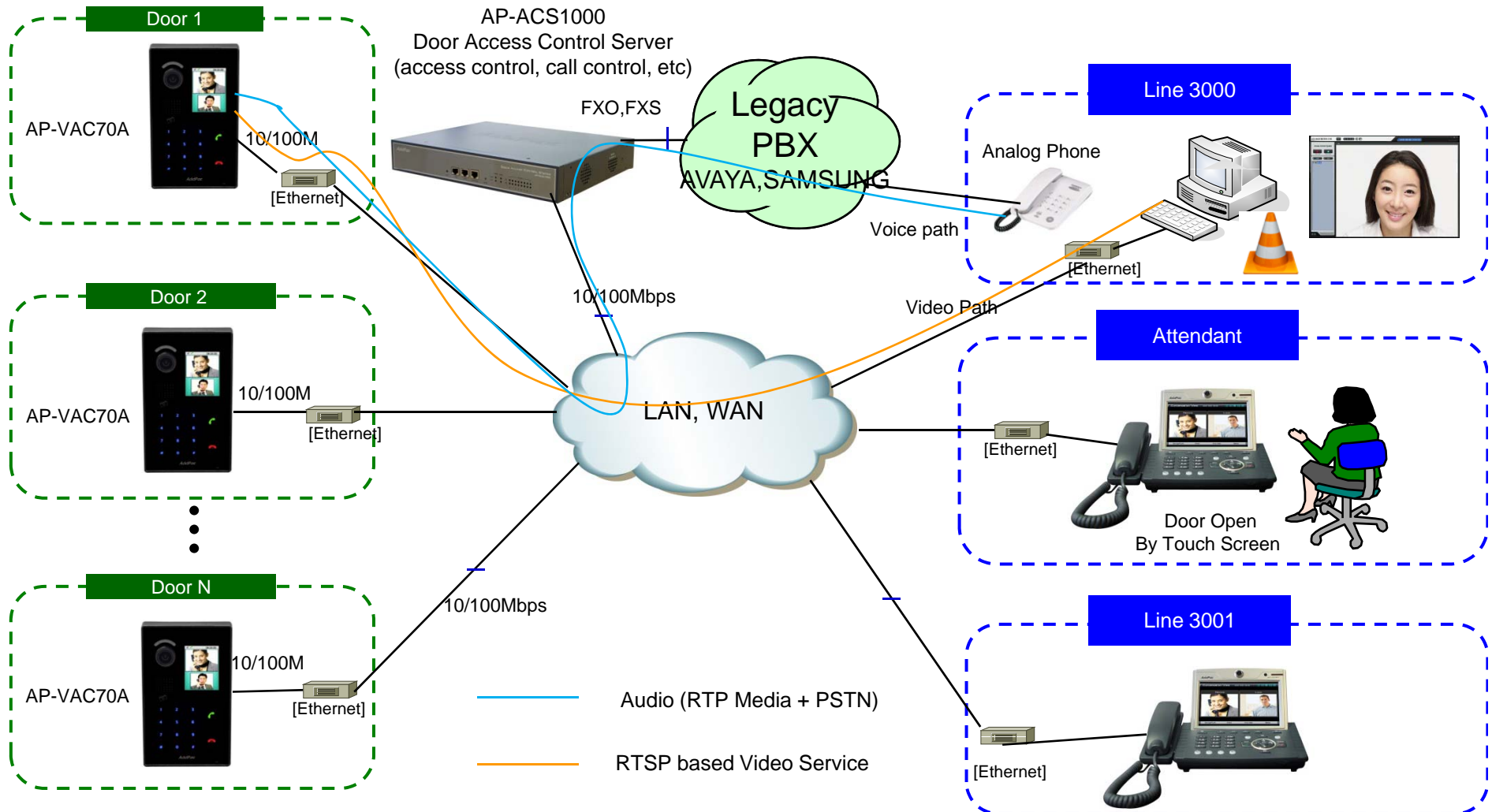
RTSP based Video Service

: Door Attendant Service using Audio Terminal

- **Video Camera**
 - RTSP based Video Camera
 - Video and Audio(*) Support
 - Video is disabled when Video Call State
 - Audio is disable when Call State
- **Audio Call with Video Camera**
 - Audio Call with IP Phone
 - Execute VLC Application at User PC
 - Video Monitoring using VLC
 - VLC close when Call is terminated

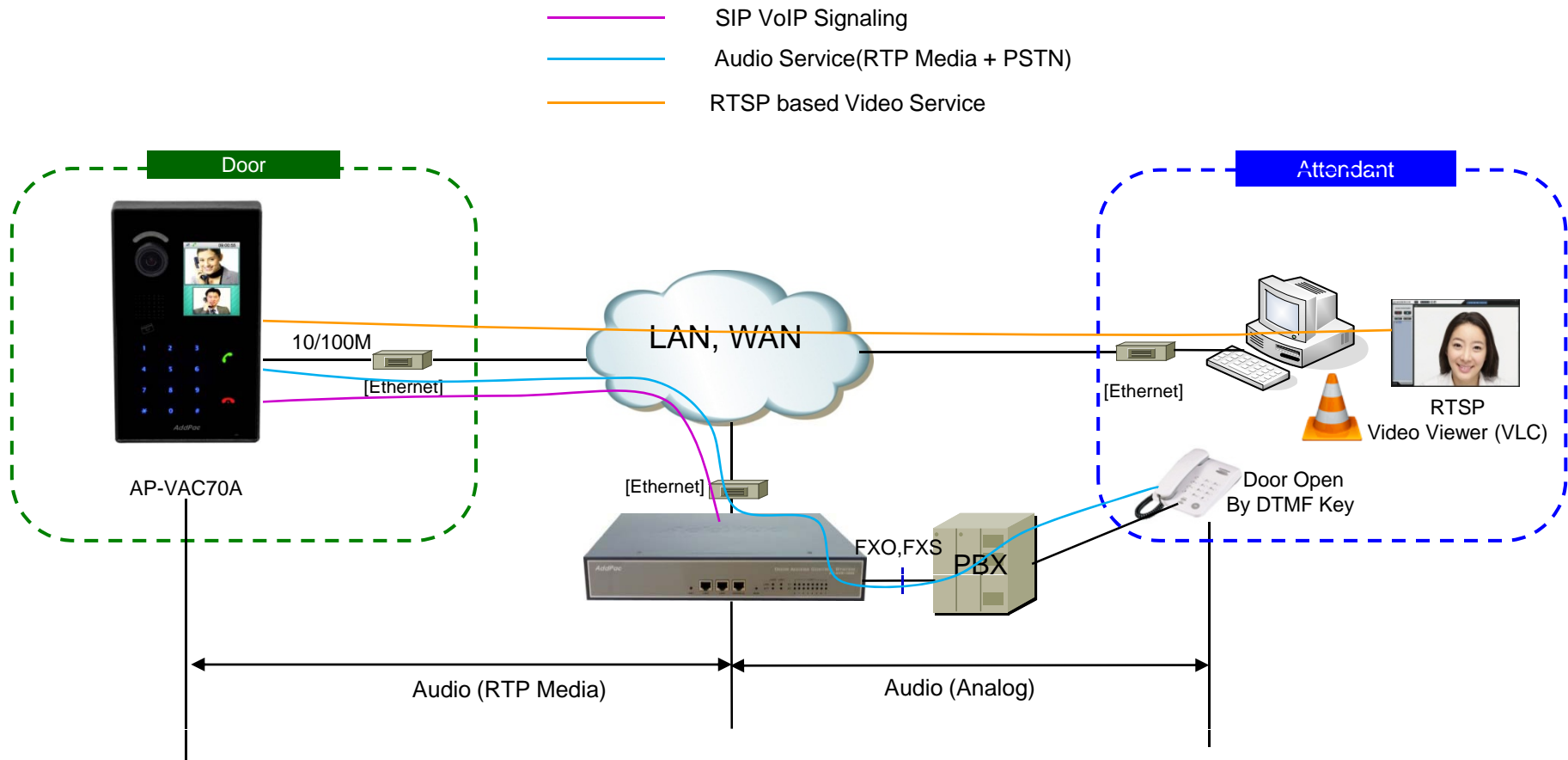
RTSP based Video Service Diagram

: Door Attendant Service using Analog Phone



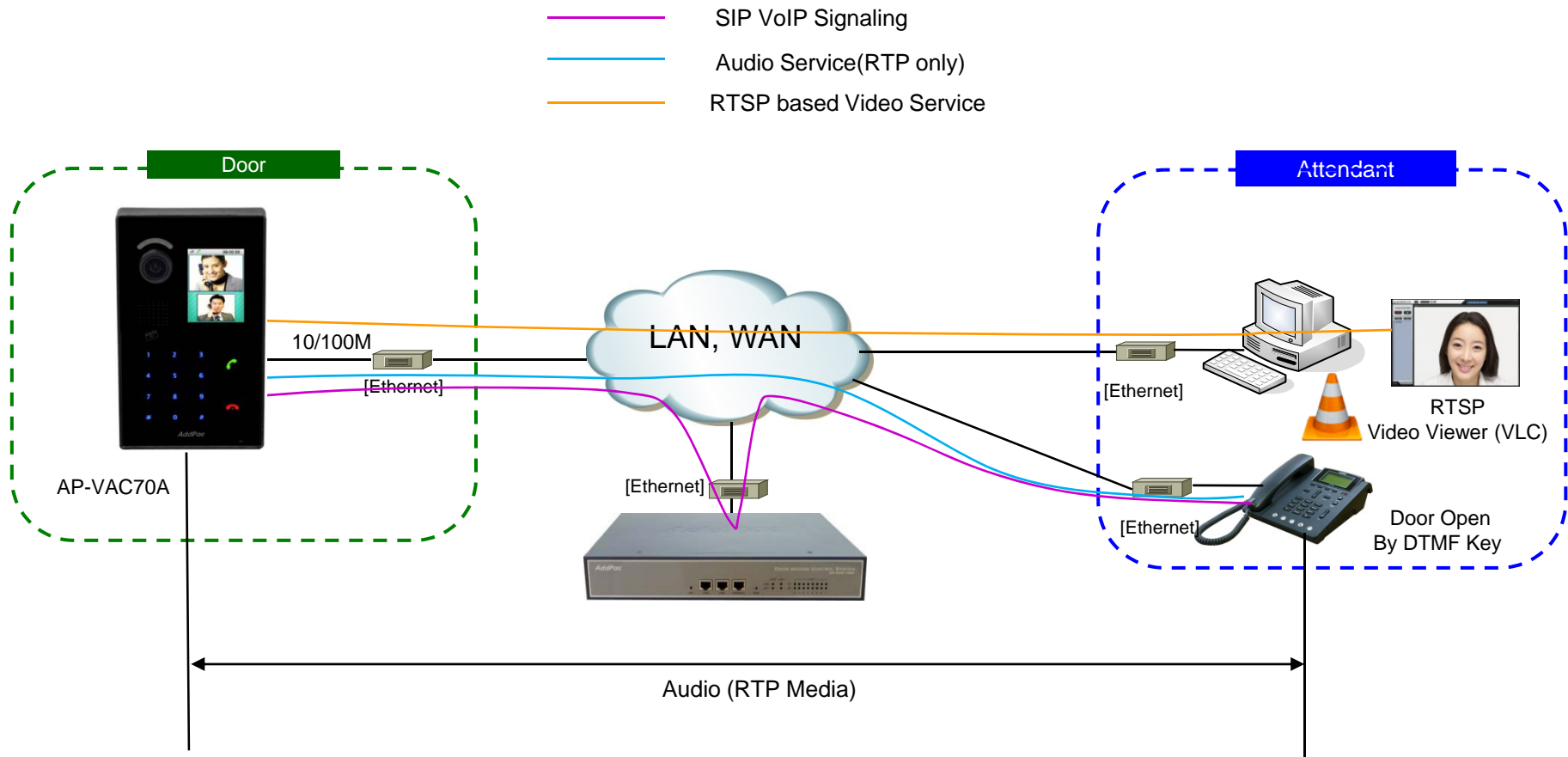
RTSP based Video Service Diagram


: Door Attendant Service using Analog Phone



RTSP based Video Service Diagram

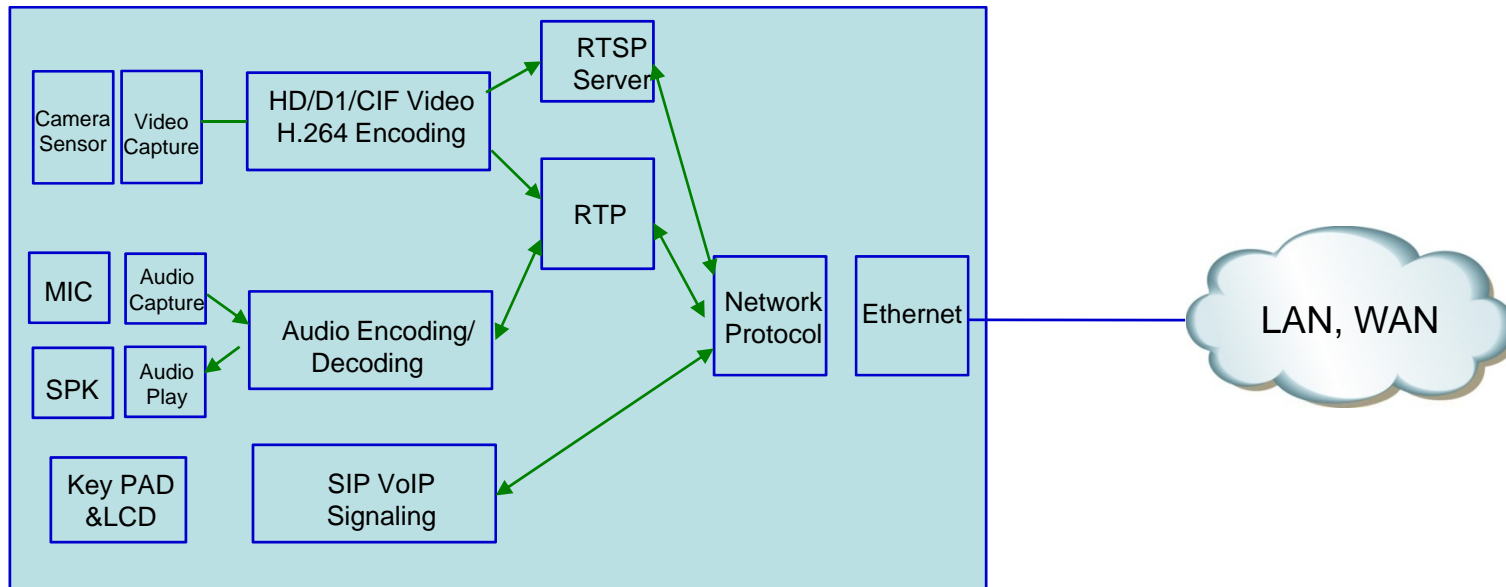
: Door Attendant Service using IP Phone





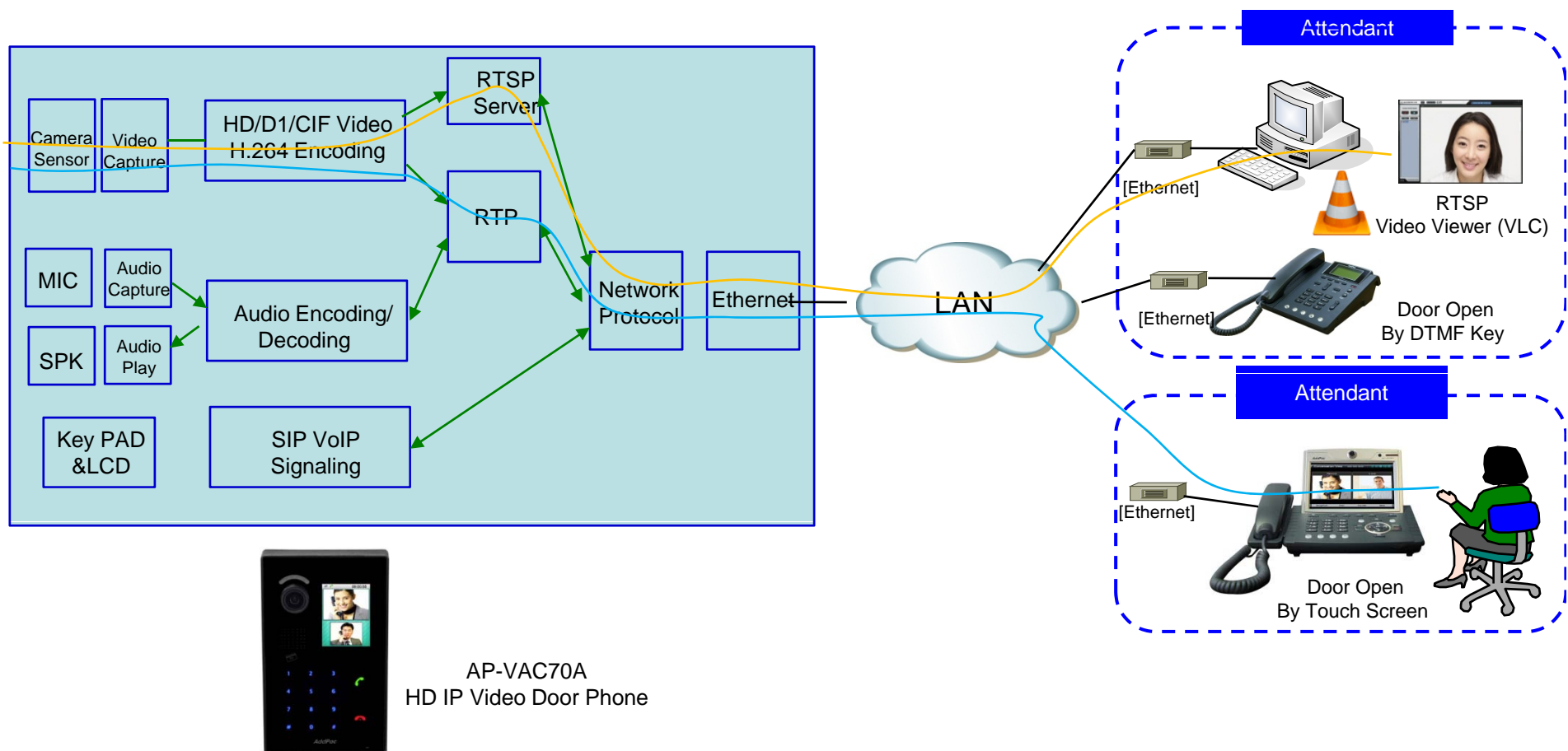
RTSP based AP-VAC50 Internal Block Diagram

AP-VAC70A Internal S/W Block Diagram

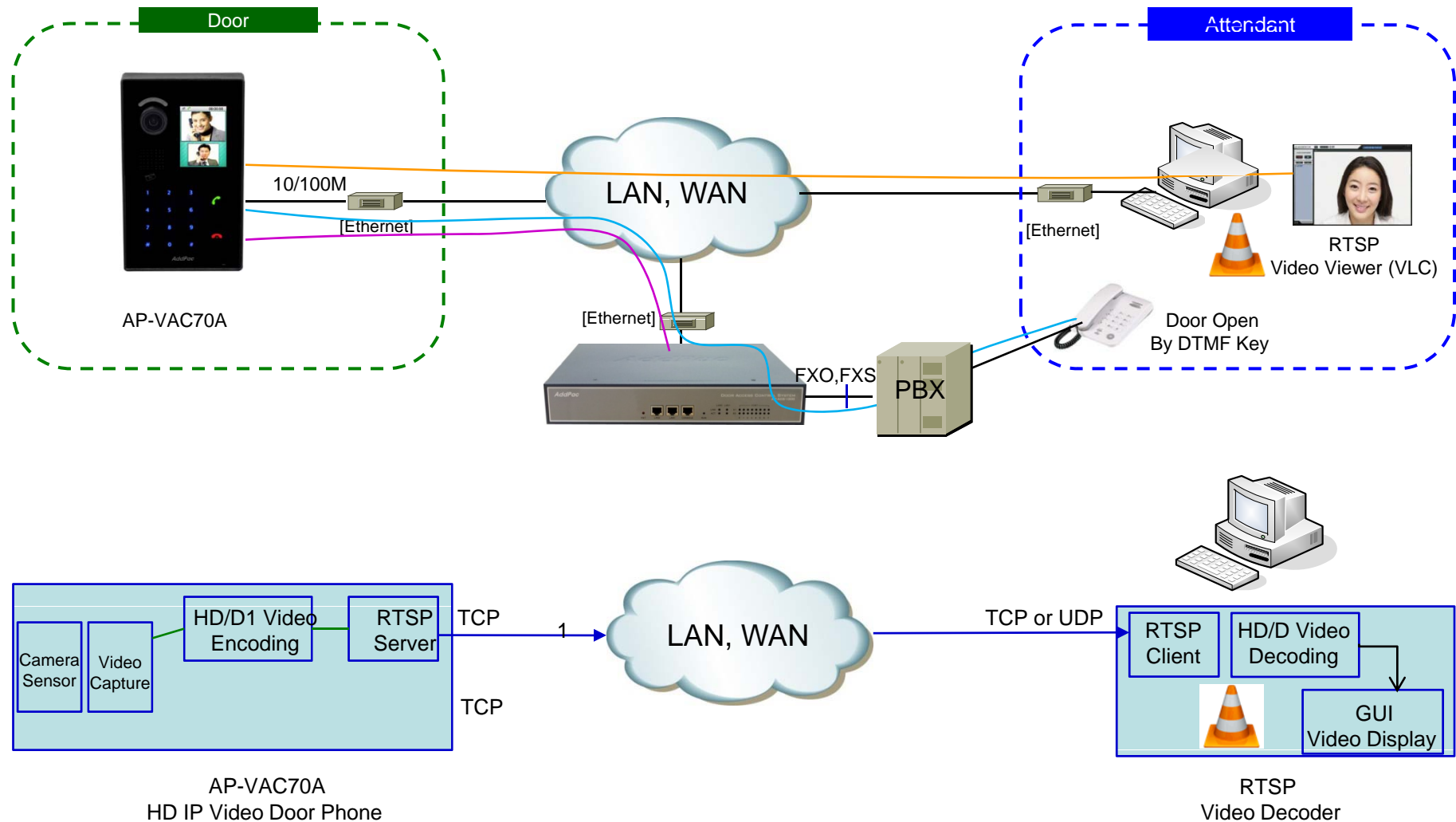


AP-VAC70A
HD IP Video Door Phone

RTSP/RTP Video Service Block Diagram



RTSP based Network Block Diagram



Product Overview

- High Performance HD IP Video Door Phone Solution
- 3x4 Key, TFT Color LCD, Internal MIC & Speaker
- AutoFocus Digital Wide Dynamic Range MegaPixel Sony CMOS Camera Sensor
- H.264 720P HD Video Codec Support
- High Quality 2.4 Inch LCD, 320 x 240 Video Resolution
- SIP VoIP Signaling Stack Embedded
- High-performance Video/Voice Codec Support
 - H.264, MPEG4, G.711, etc
- One(1) 10/100Mbps Fast Ethernet
- PoE(Power over Ethernet) Support
- High Quality Speaker Phone Features
- Powerful Acoustic Echo Canceller Chip Embedded
- Powerful Network Protocols (PPPoE, DHCP, Static Routing, etc)
- Firmware Upgradeable Architecture
- Advanced Voice QoS Mechanism

Hardware Specification

RISC
CPU

High-end
DSP

- RISC+DSP Microprocessor Computing Power
- Audio and Voice Interface
 - Internal MIC
 - Internal Speaker
 - 3 x 4 key PAD
- Auto Focus HD Video Camera Image Sensor
- TFT Color LCD Interface
 - 2.4 Inch LCD, 320 x 240 Video Resolution
- Network Interface
 - One(1) 10/100Mbps Fast Ethernet
- RF Card Interface
- Alarm & Relay Out Interface (door open, etc)
- RS232/RS485 Interface
- Power Supply
 - Power over Ethernet (Option)
 - External Power Supply





Thank you!

AddPac Technology Co., Ltd.
Sales and Marketing

Phone +82.2.568.3848 (KOREA)

FAX +82.2.568.3847 (KOREA)

E-mail sales@addpac.com