



AP2610™ VoIP Gateway

High Performance VoIP Gateway Solution

FAX Interface Module
(AP-FXS101F)
Signaling Flow



AddPac

AddPac Technology

2012, Sales and Marketing

www.addpac.com

Contents

- FAX Interface Module (AP-FXS1O1F) for AP2610
- H/W Block Diagram
- Voice Path
 - Network Service Diagram
 - H/W Block Diagram
 - Signal Flow
- FAX Path
 - Network Service Diagram
 - H/W Block Diagram
 - Signal Flow
- Command Line Interface






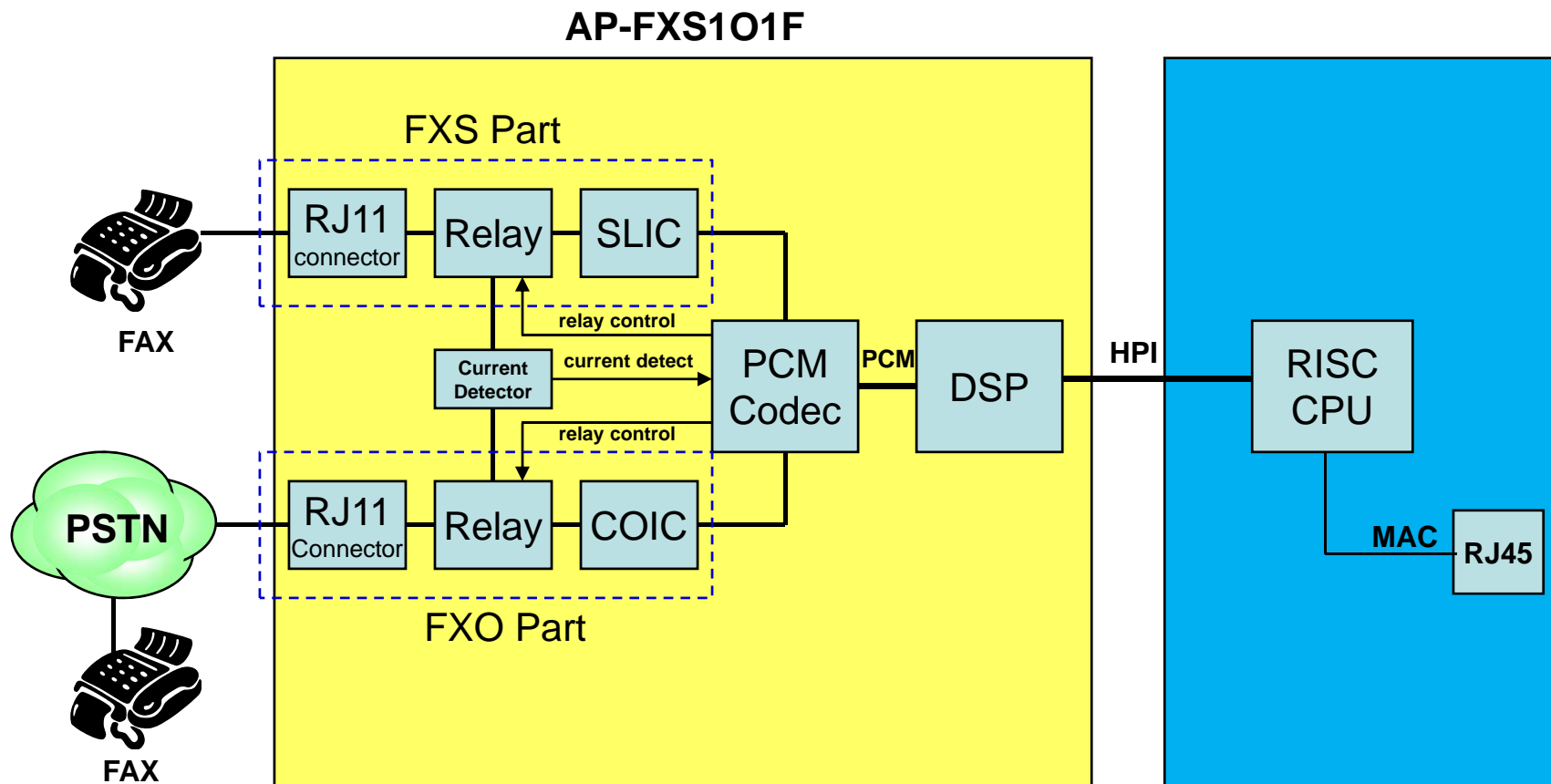
VoIP Modules

New VoIP Modules

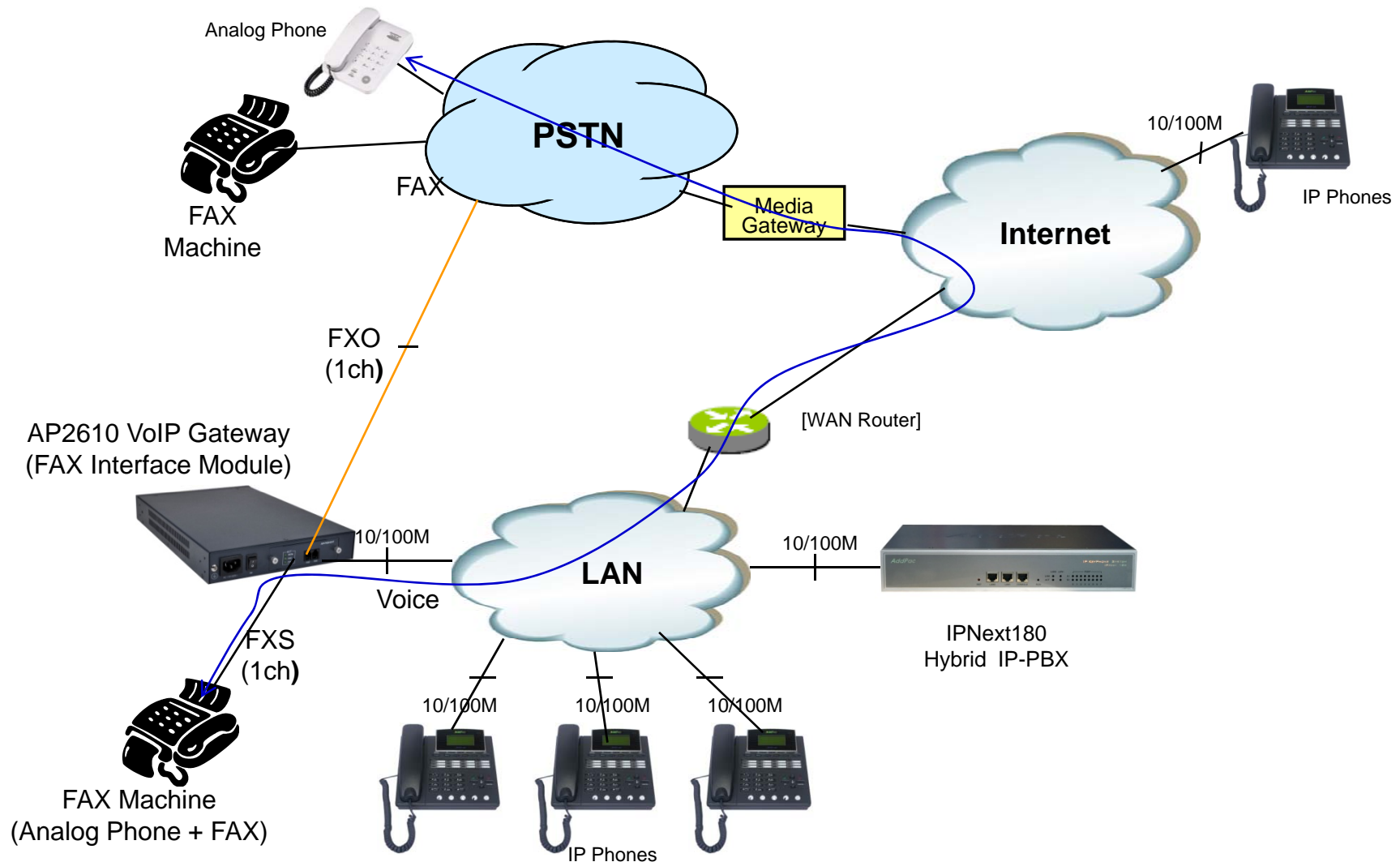
DSP

Target	Voice Modules	Module Features	Module Picture
AP2610	AP-FXS1O1F	FAX Interface Module	 The image shows the AP-FXS1O1F FAX Interface Module. It is a dark grey, rectangular module with a green printed circuit board (PCB) visible on top. The PCB has various electronic components, including a large integrated circuit. On the front panel, there are two RJ45 ports labeled 'FXS' and 'FXO'. To the left of the ports, there are three status LEDs labeled 'ACT', 'PSTN', and 'FXS'. The model number 'AP-FXS1O1F' is printed on the top right of the front panel.

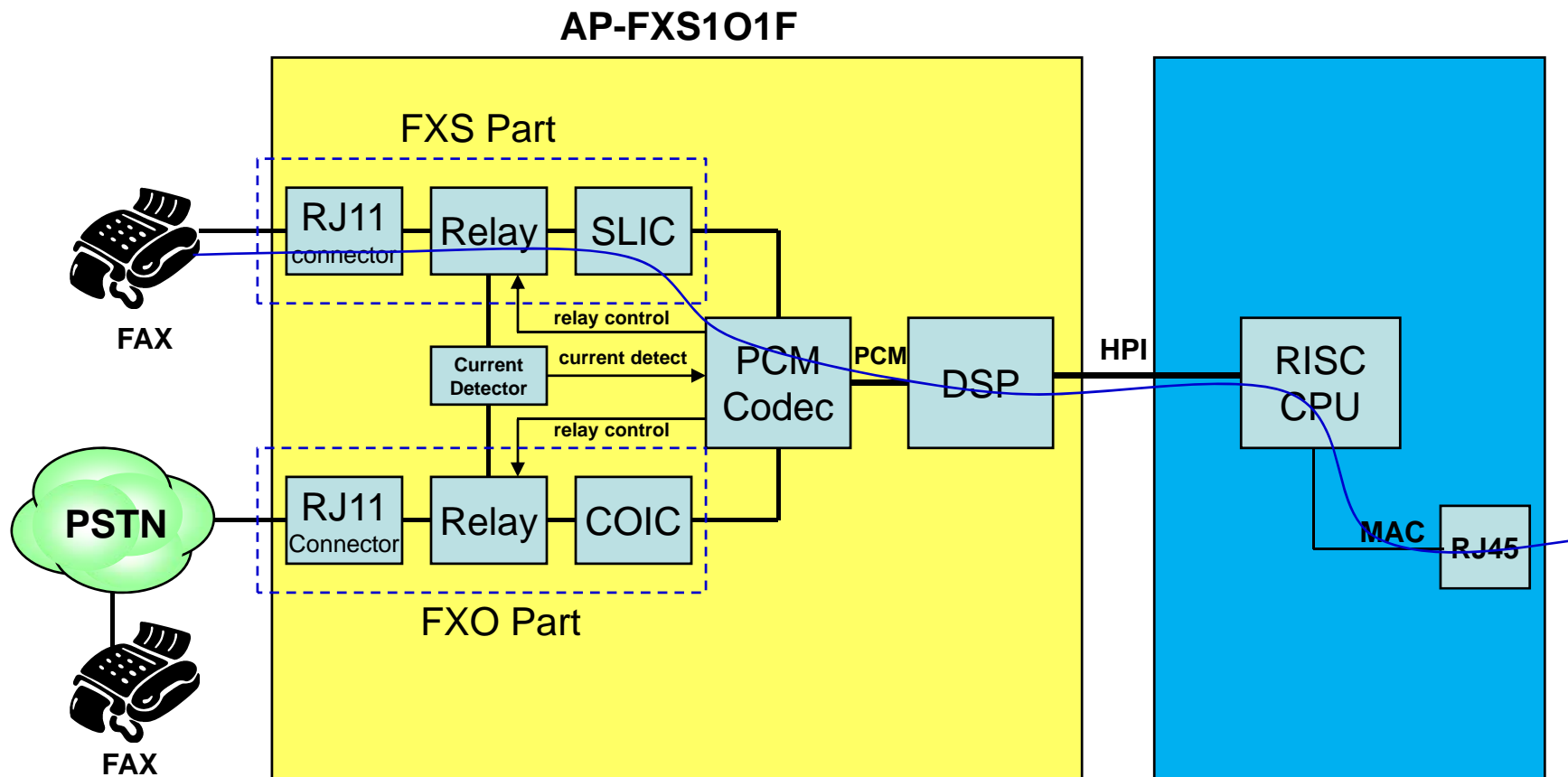
H/W Block Diagram



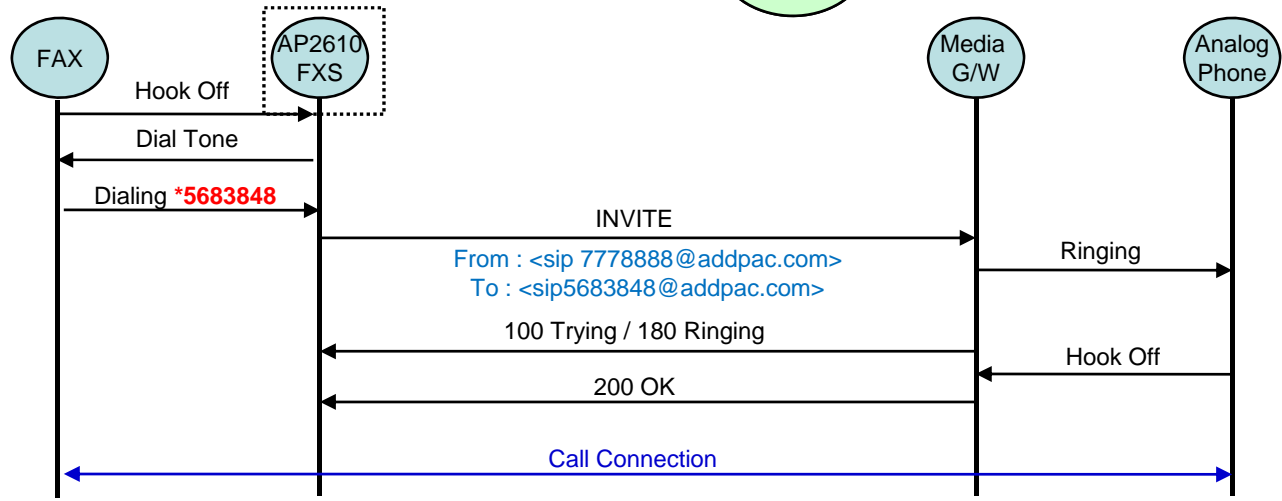
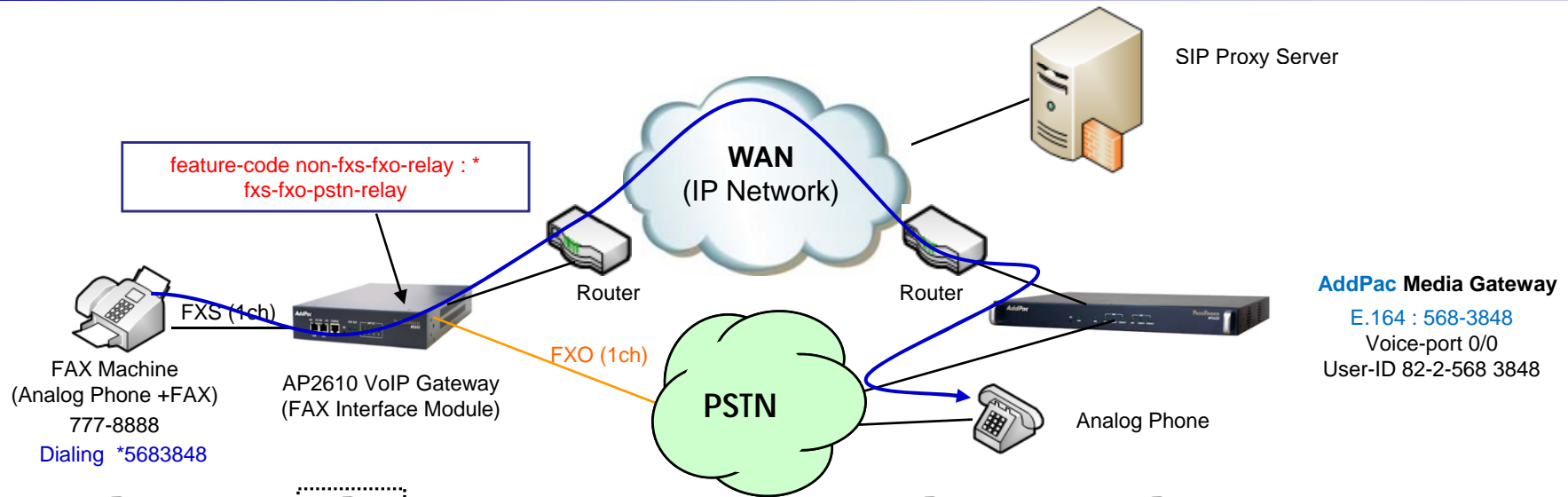
Network Service Diagram (Voice Path)



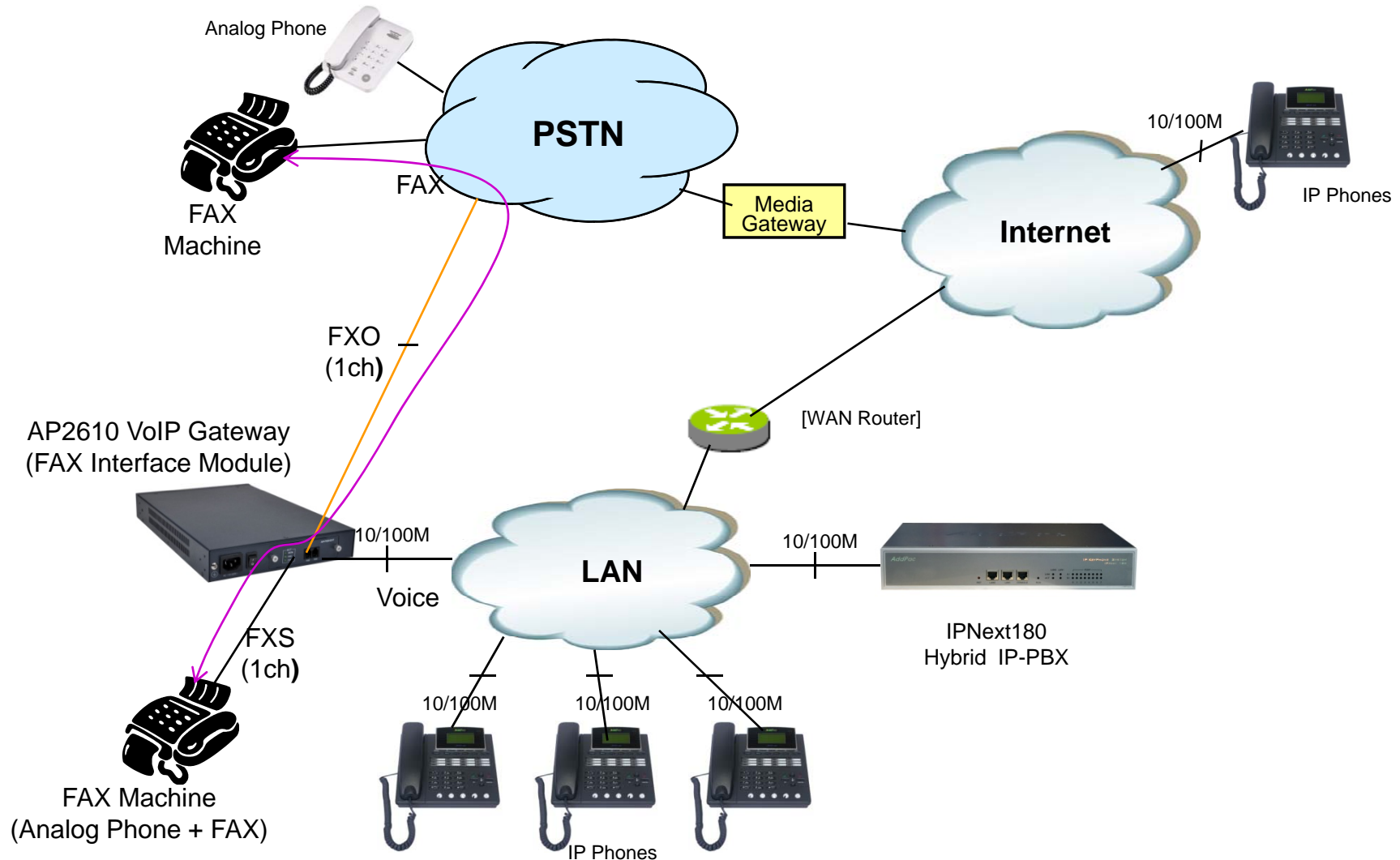
H/W Block Diagram (Voice Path)



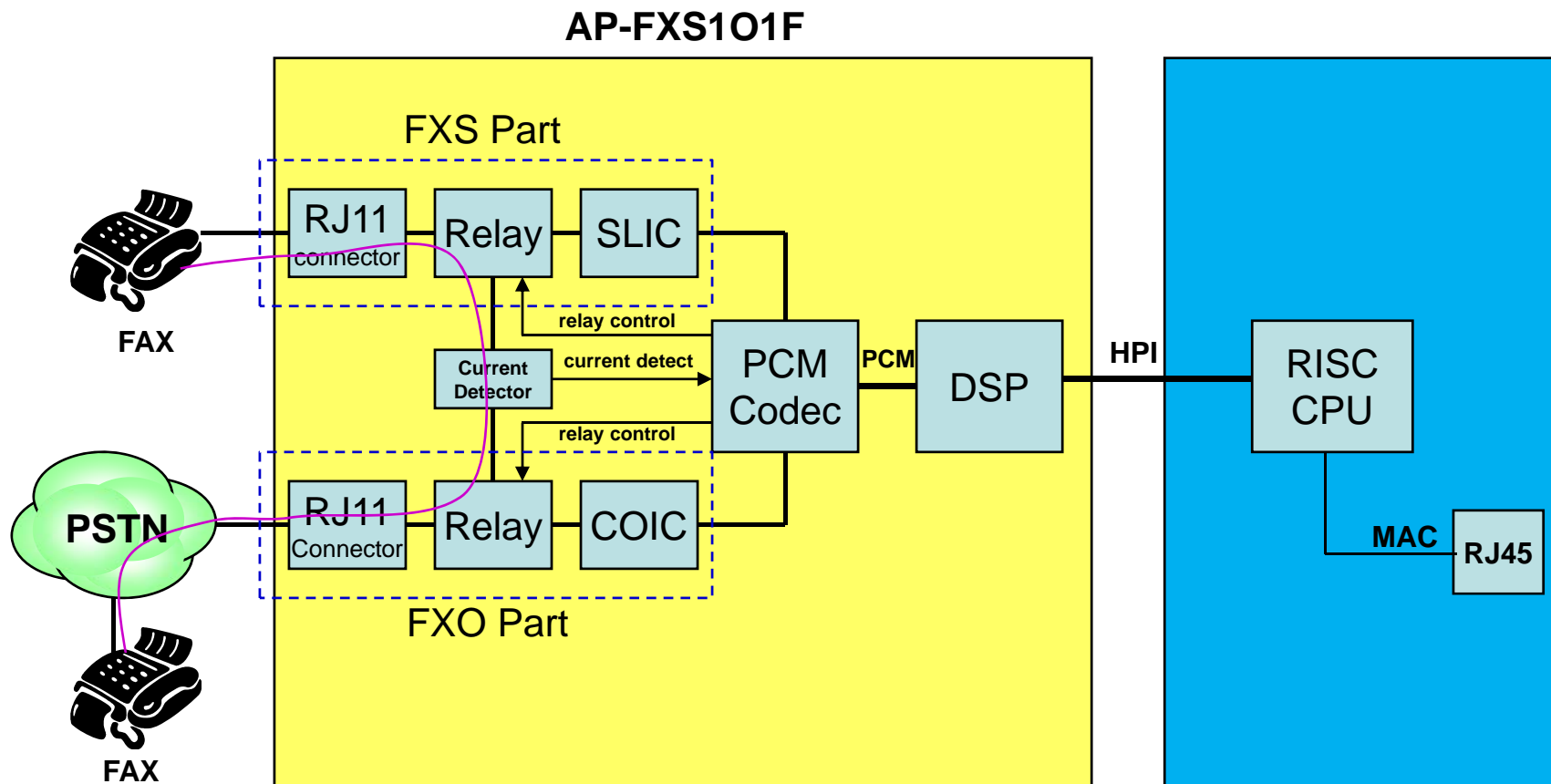
Signal Flow (Voice Path)



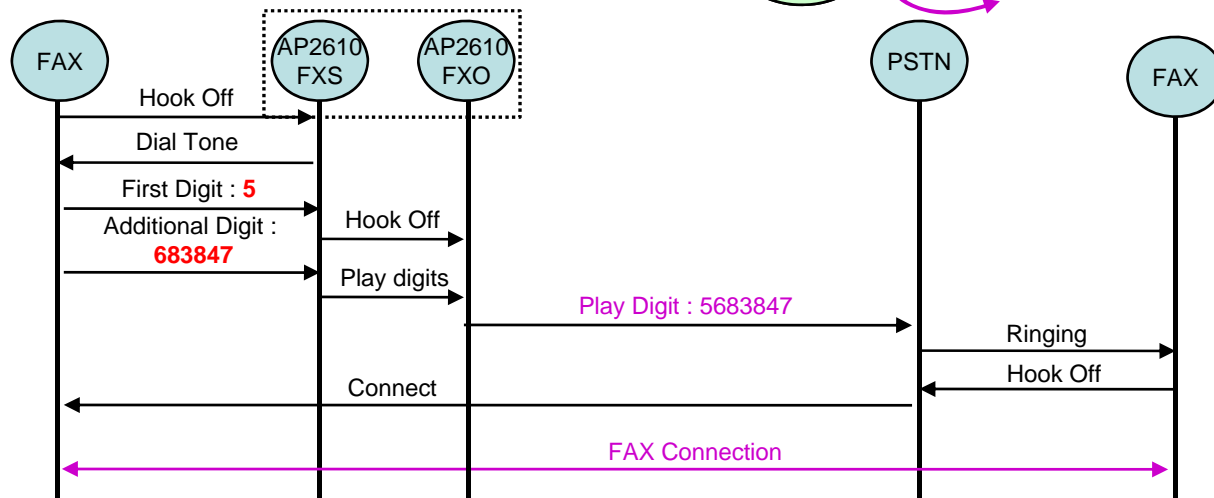
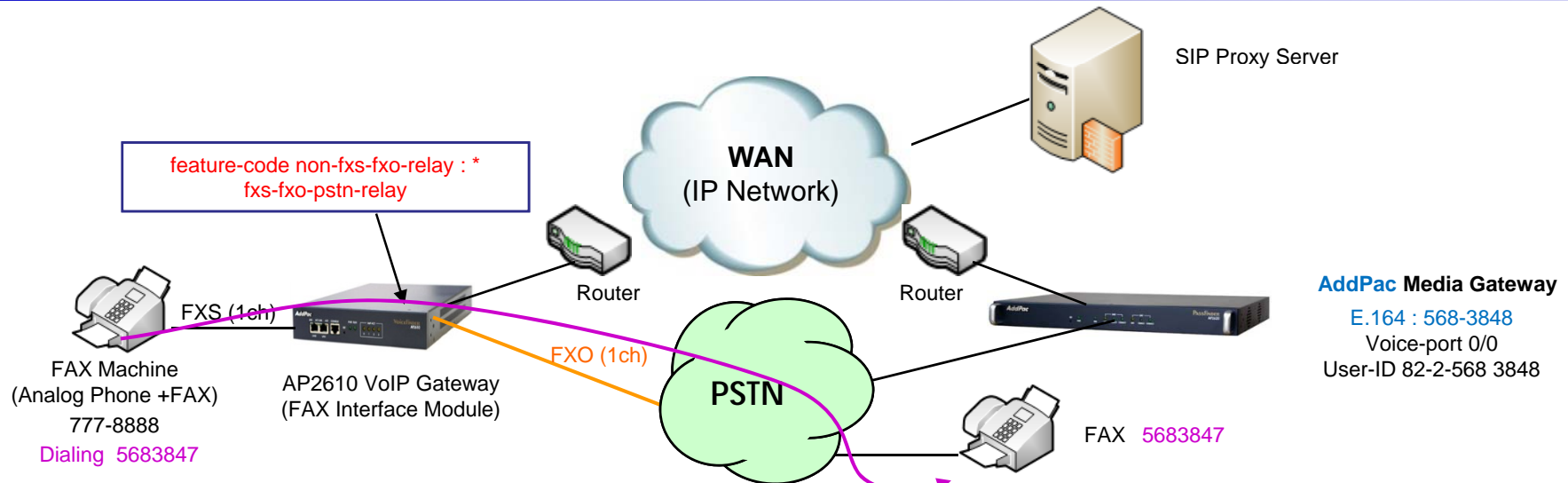
Network Service Diagram (FAX Path)



H/W Block Diagram (FAX Path)



Signaling Flow (FAX Path)



Command Line Interface

FXS to FXO Fax Relay Configuration Command (Default : Disable)

1. fxs-fxo-pstn-relay

Fax Relay Function Enable/Disable

2. feature-code non-fxs-fxo-relay

Access Code for Voice Path Service

[<0-9><#><*>+] (single digit)

Command Line Interface (configuration example)

Welcome to AP2610 !

login: root ← Login

Password:

AP2610 - Login : root at tty/1 on Tue Jan 10 10:33:06 2012

AP2610#

AP2610# configure terminal ← Global Configuration

Enter configuration commands, one per line. End with CNTL/Z

AP2610 (config)# voice service voip

AP2610 (config-vservice-voip)# feature-code non-fxs-fxo-relay ← Non-Relay mode access code
[<0-9><#><*>+] (single digit)

AP2610 (config-vservice-voip)# exit

AP2610 (config)# voice-port <slot>/<port> ← Voice-Port Interface Configuration

AP2610(config-voice-port-0/0)# fxs-fxo-pstn-relay ← Enable PSTN Relay Command

AP2610(config-voice-port-0/0)# end

AP2610#



Thank you!

AddPac Technology Co., Ltd.
Sales and Marketing

Phone +82.2.568.3848 (KOREA)

FAX +82.2.568.3847 (KOREA)

E-mail : sales@addpac.com