



# AP2610™

## VoIP Gateway

High Performance VoIP Gateway Solution

### FAX Interface Module (AP-FXS1O1F)



# **AddPac**

**AddPac Technology**

2011, Sales and Marketing

[www.addpac.com](http://www.addpac.com)


# Contents

- FAX Interface Module (AP-FXS101F) for AP2610
- H/W Block Diagram
- Voice Path
  - Network Service Diagram
  - H/W Block Diagram
- FAX Path
  - Network Service Diagram
  - H/W Block Diagram






# VoIP Modules



Target :  
AP2610, AP2620, AP1700







# New VoIP Modules

DSP

Target	Voice Modules	Module Features	Module Picture
AP2610	<b>AP-FXS1O1F</b>	FAX Interface Module	





# VoIP Modules

DSP

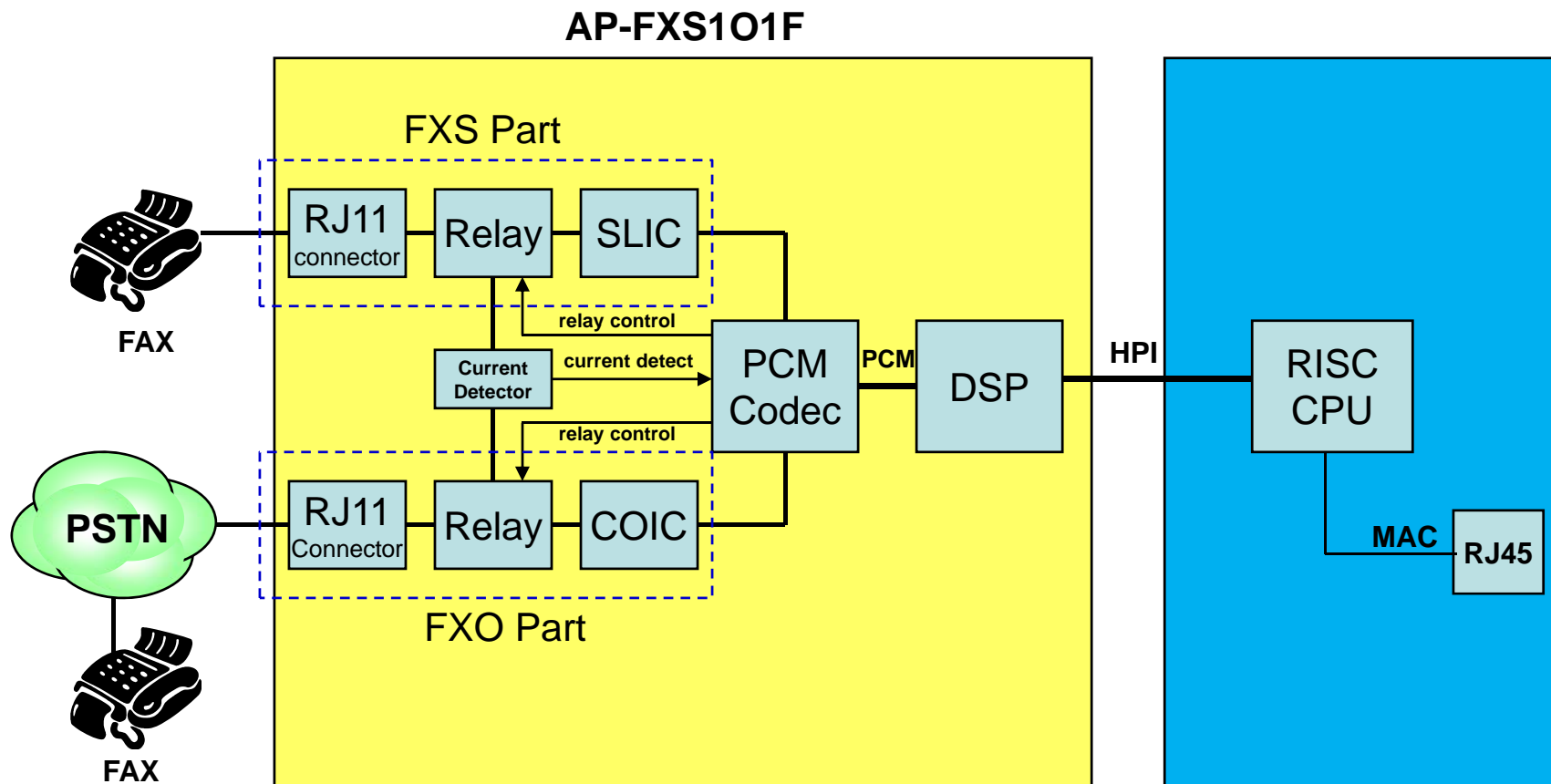
Target	VoIP Modules	Module Features	Module Picture
AP1700,AP2610 AP2620,AP3100P	<b>AP-FXS4</b>	4-Port FXS Module	
AP1700,AP2610 AP2620,AP3100P	<b>AP-FXO4</b>	4-Port FXO Module	
AP1700,AP2610 AP2620,AP3100P	<b>AP-FXS2O2</b>	2-Port FXS&2-Port FXO Module	
AP1700,AP2610 AP2620,AP3100P	<b>AP-E&amp;M4</b>	4-Port E&M Module	
AP1700,AP2610 AP2620,AP3100P	<b>AP-FXS3O1</b>	3-Port FXS&1-Port FXO Module	
AP1700, AP2620	<b>AP-E1</b>	1-Port Digital E1/T1 Module	

# Additional VoIP Modules

DSP

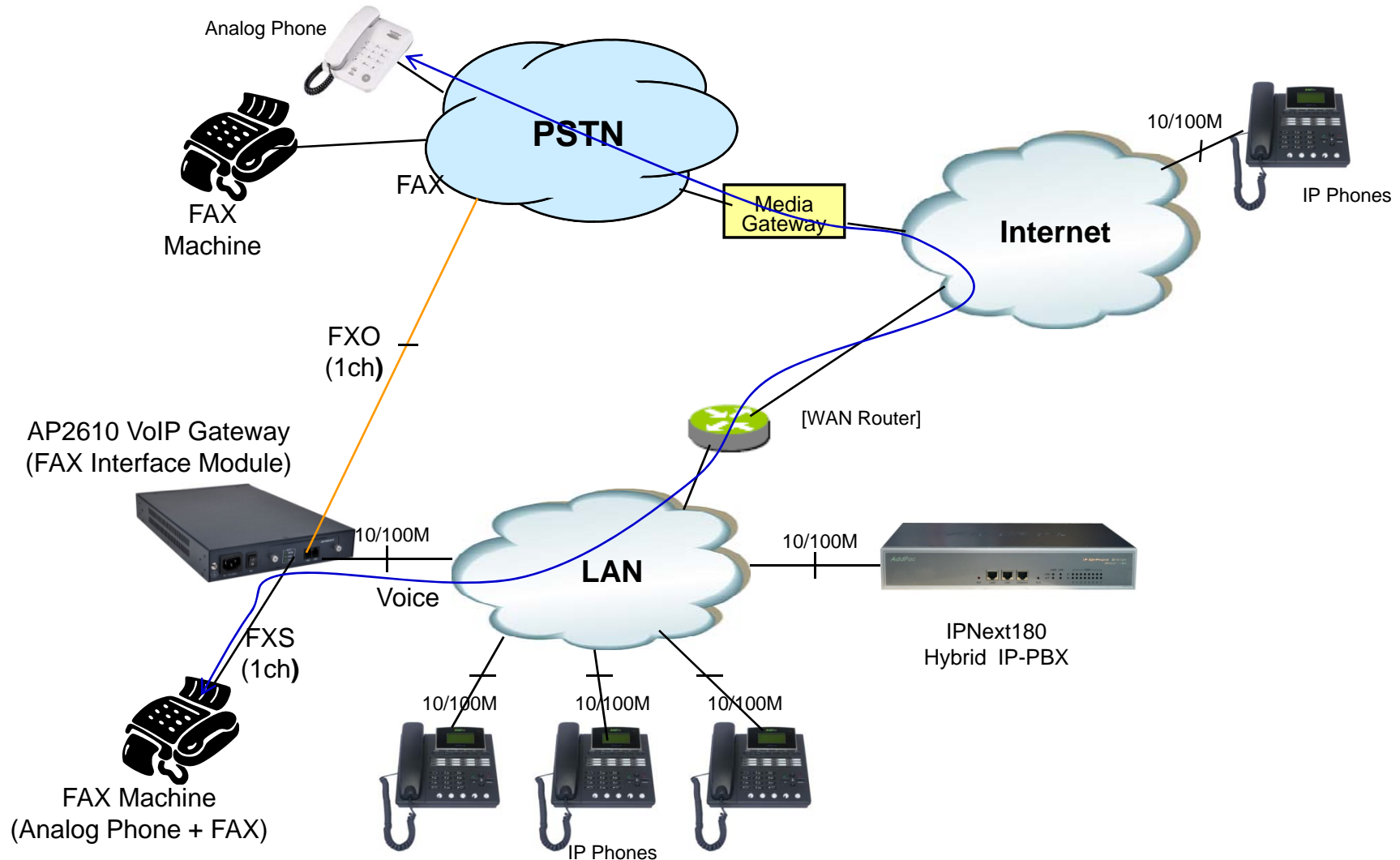
Target	Voice Modules	Module Features	Module Picture
AP2610, AP2620	AP-MP3	1-Pair Audio-In/Out Port, Direct MIC-In, Headphone High Quality <b>Audio Band</b> IP Broadcasting	
AP2610 AP2620	AP-AUDIO2	2-Pair Audio-In/Out Ports <b>Voice Band</b> IP Broadcasting	
AP2610, AP2620	AP-AUD1S3	1-Pair Audio-In/Out Ports, FXS Analog Interface <b>Voice Band</b> IP Broadcasting	
AP2610, AP2620	AP-AUD1S2O1	1-Pair Audio-In/Out Ports, FXS 2-Ports, FXO 1-Port <b>Voice Band</b> IP Broadcasting	

# H/W Block Diagram

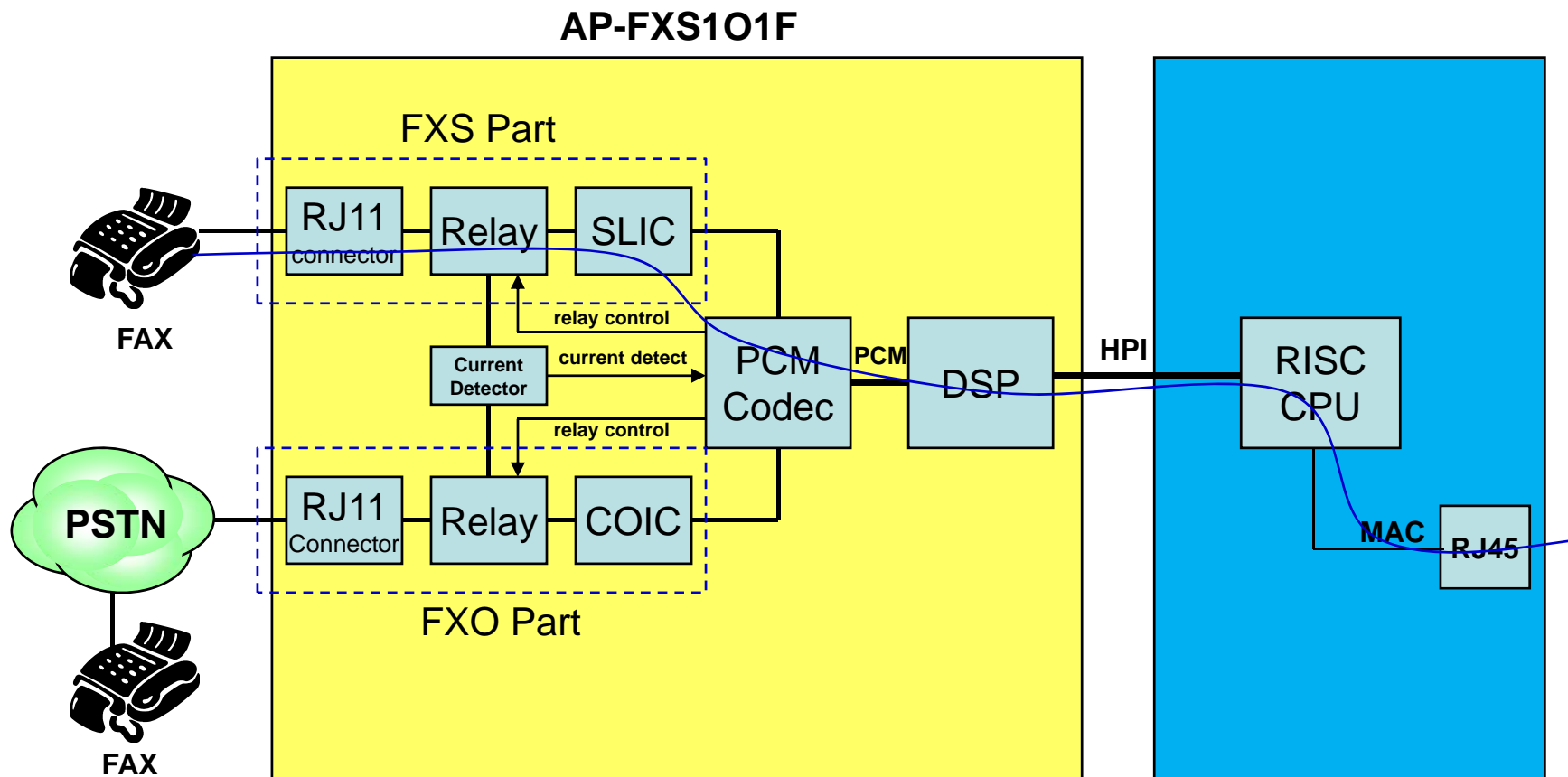




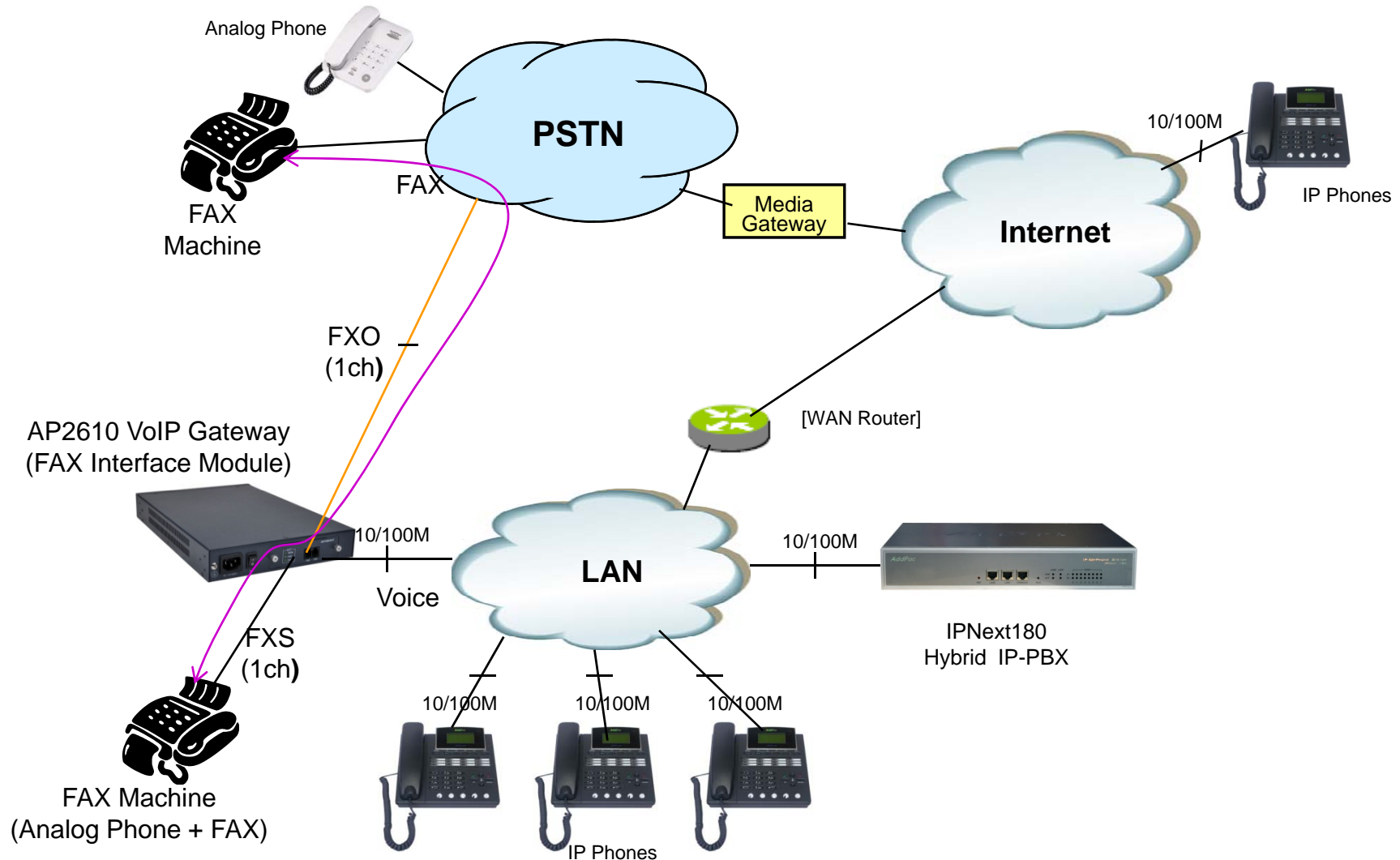
# Network Service Diagram (Voice Path)



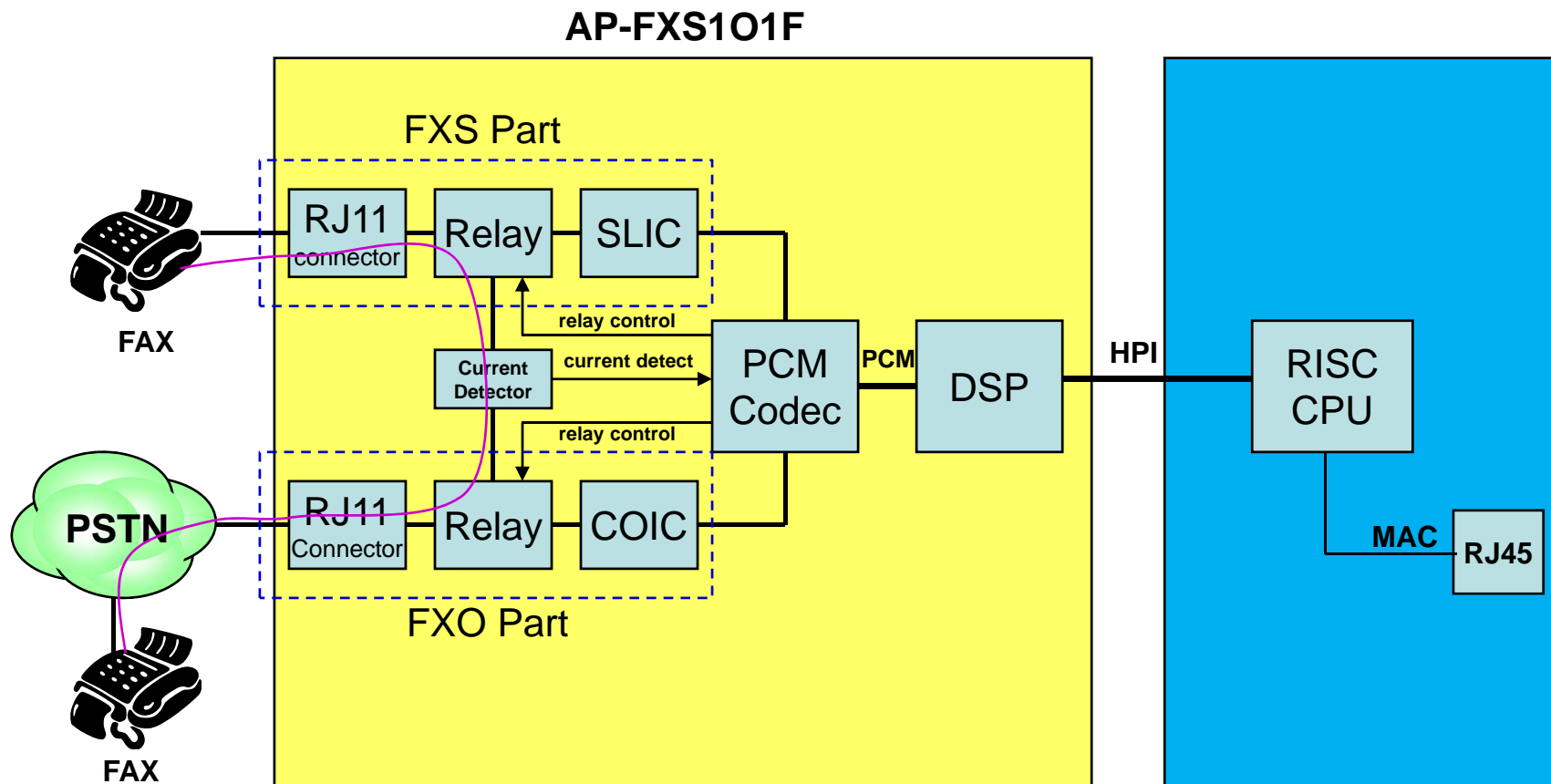
# H/W Block Diagram (Voice Path)



# Network Service Diagram (FAX Path)



# H/W Block Diagram (FAX Path)





# Thank you!

**AddPac Technology Co., Ltd.**  
Sales and Marketing

Phone +82.2.568.3848 (KOREA)

FAX +82.2.568.3847 (KOREA)

E-mail : [sales@addpac.com](mailto:sales@addpac.com)